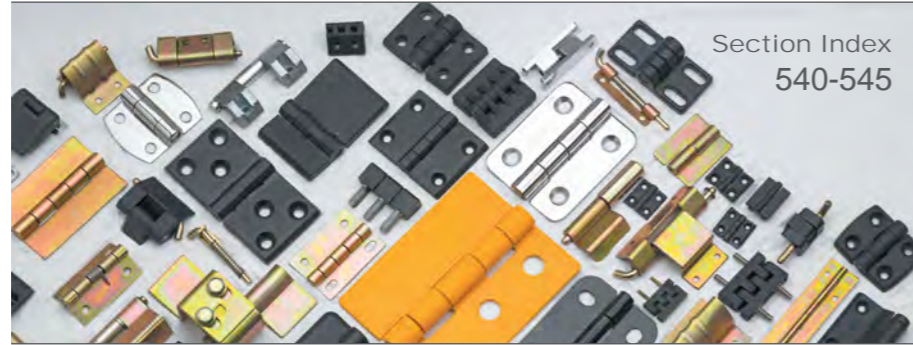




DARSHANA[®]
INDUSTRIES PVT. LTD.

Outline your needs, we will do the rest



01. Flat Hinge : Polyamide.....	548	20. Continuous Hinge : Mild Steel	662
02. Multi-Pivot Hinge : Polyamide.....	584	21. Exposed Hinge : Mild Steel	664
03. Light Duty Stay Hinge : Polyamide.....	585	22. Lift off Hinge : Mild Steel.....	665
04. Friction Hinge : Polyamide.....	586	23. Fixed Hinge : Mild Steel.....	671
05. Exposed Hinge : Polyamide.....	588	24. Spring Return Hinge : Mild Steel	673
06. Lift off Hinge : Polyamide.....	591	25. Spring Hinge : Mild Steel.....	674
07. Spring Hinge : Polyamide.....	597	26. Concealed Hinge : Mild Steel.....	678
08. Flat Hinge : Zinc Die Cast.....	598	27. Flat Hinge : Casting Mild Steel.....	703
09. Stop Hinge : Zinc Die Cast	621	28. Flat Hinge : Stainless Steel	708
10. Torque Hinge : Zinc Die Cast	622	29. Flat Offset Hinge : Stainless Steel.....	713
11. Exposed Hinge : Zinc Die Cast	623	30. Fixed Hinge : Stainless Steel	714
12. Side Exposed Hinge : Zinc Die Cast	632	31. Spring Return Hinge : Stainless Steel.....	715
13. Slide Pivot Hinge : Zinc Die Cast	635	32. Spring Hinge : Stainless Steel	716
14. Lift off Hinge : Zinc Die Cast.....	636	33. Lift off Hinge : Stainless Steel	719
15. Lift off Hinge-Clip Fit : Zinc Die Cast.....	647	34. Concealed Hinge : Stainless Steel.....	723
16. Concealed Hinge : Zinc Die Cast.....	649	35. Flat Hinge : Casting Stainless Steel.....	730
17. Flat Hinges : Mild Steel.....	651	36. Exposed Hinge : Casting Stainless Steel.....	736
18. Flat Heavy Duty Hinge : Mild Steel	657	37. Lift off Hinge : Casting Stainless Steel.....	737
19. Offset Hinge : Mild Steel.....	661		



Hinges **D**

Flat Hinge : Polyamide page D 548-583



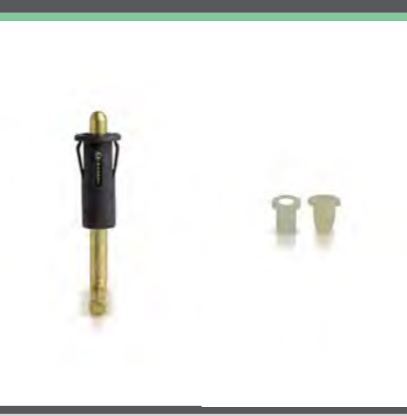
Multi-Pivot Hinge : Polyamide page D 584



Exposed Hinge : Polyamide page D 588-590



Spring Hinge : Polyamide page D 597



Stop Hinge : Zinc Die Cast page D 621



Exposed Hinge : Zinc Die Cast page D 623-631



Light Duty Stay Hinge : Polyamide page D 585



Lift off Hinge : Polyamide page D 591-596



Flat Hinge : Zinc Die Cast page D 598-620



Torque Hinge : Zinc Die Cast page D 622



Friction Hinge : Polyamide page D 586-587




Side Exposed Hinge : Zinc Die Cast page D 632-634




**Slide Pivot Hinge :
Zinc Die Cast** page
D 635




**Lift off Hinge-Clip Fit :
Zinc Die Cast** page
D 647-648




**Flat Heavy Duty Hinge :
Mild Steel** page
D 657-660




**Continuous Hinge :
Mild Steel** page
D 662-663



**Fixed Hinge :
Mild Steel** page
D 671-672




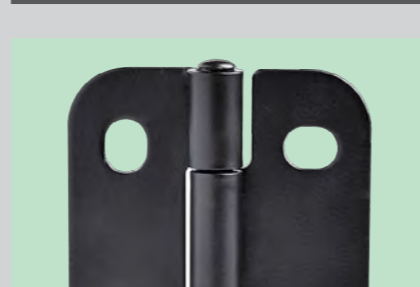
**Concealed Hinge :
Mild Steel** page
D 678-702




**Lift off Hinge :
Zinc Die Cast** page
D 636-646





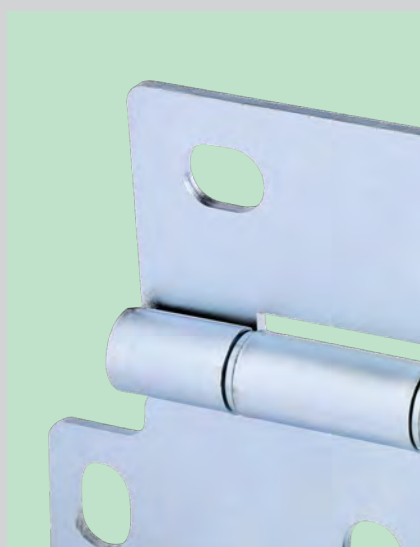
**Concealed Hinge :
Zinc Die Cast** page
D 649-650


**Exposed Hinge :
Mild Steel** page
D 664




**Spring Return Hinge :
Mild Steel** page
D 673


**Flat Hinges :
Mild Steel** page
D 651-656




**Offset Hinge :
Mild Steel** page
D 661



**Lift off Hinge :
Mild Steel** page
D 665-670



**Spring Hinge :
Mild Steel** page
D 674-677



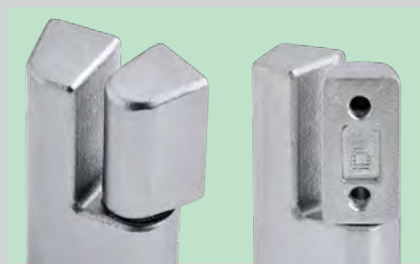

**Flat Hinge :
Casting Mild Steel** page
D 703-707

**Flat Offset Hinge :
Stainless Steel** page
D 713



**Concealed Hinge :
Stainless Steel** page
D 723-729

**Exposed Hinge :
Casting Stainless Steel** page
D 736



**Fixed Hinge :
Stainless Steel** page
D 714

**Spring Hinge :
Stainless Steel** page
D 716-718



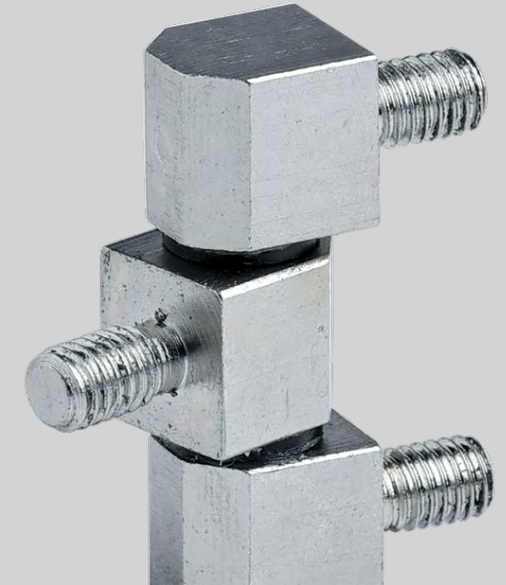
**Flat Hinge :
Stainless Steel** page
D 708-712

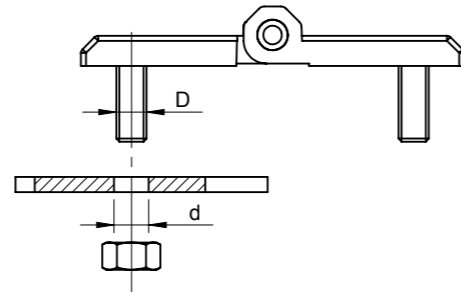
**Spring Return Hinge :
Stainless Steel** page
D 715

**Lift off Hinge :
Stainless Steel** page
D 719-722

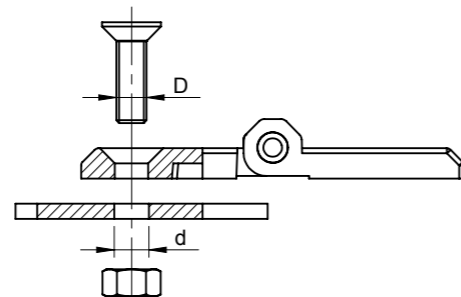
**Lift off Hinge :
Casting Stainless Steel** page
D 737-739

**Flat Hinge :
Casting Stainless Steel** page
D 730-735

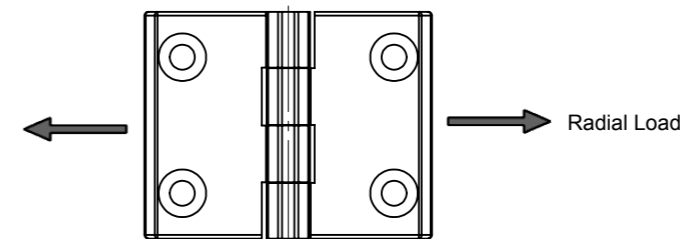
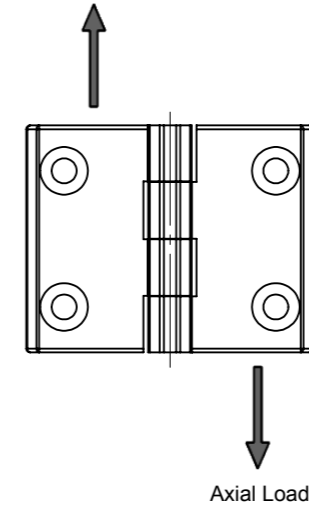




Recommended Mounting Hole Size For Hinge Stud Type	
D - Stud Threading Size	d - Mounting Hole Size
M4	4.2
M5	5.2
M6	6.2
M8	8.2
M10	10.5
M12	12.5
M14	14.5
M16	16.5

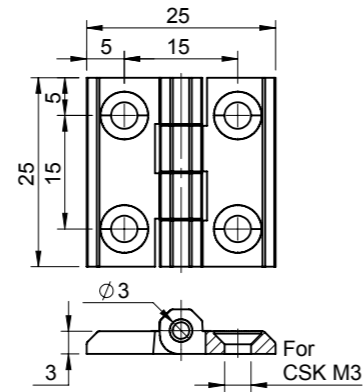


Recommended Mounting Hole Size For Hinge Hole Type	
D - Screw Threading Size	d - Mounting Hole Size
M4	4.2
M5	5.2
M6	6.2
M8	8.2
M10	10.5
M12	12.5
M14	14.5
M16	16.5

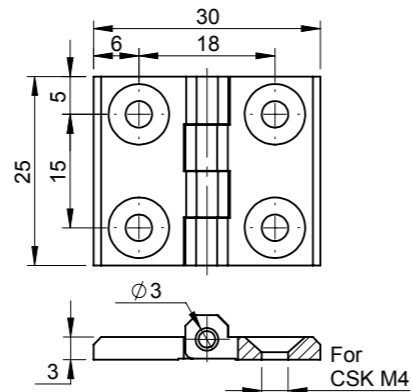


Hinges

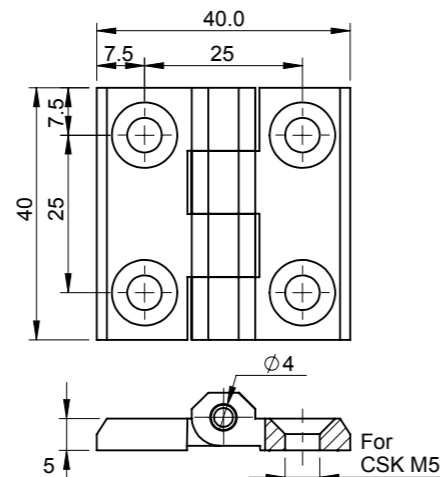
Flat Hinge : Polyamide



Product Code	Hinge Material	Pin Material	Opening Angle	IP Mount (Optional)	Working Load (Kg)	
DHIF-25	Polyamide	SS-304	180°	CD-15-M3	Ax.: 05	Ra.: 08



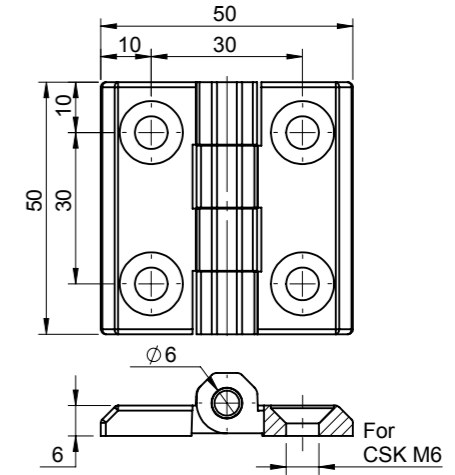
Product Code	Hinge Material	Pin Material	Opening Angle	IP Mount (Optional)	Working Load (Kg)	
DHIF-30	Polyamide	SS-304	180°	CD-15-M4	Ax.: 05	Ra.: 08



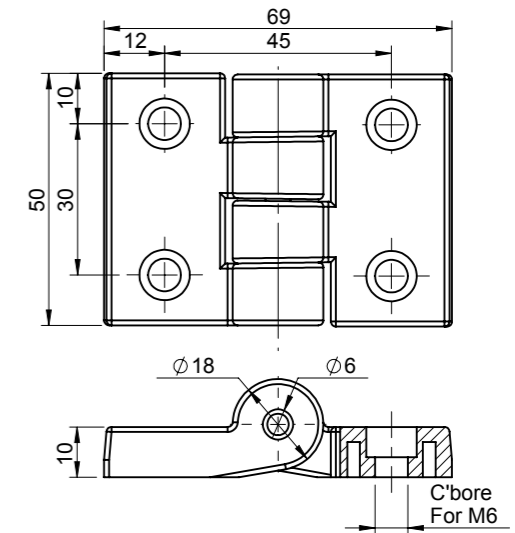
Product Code	Hinge Material	Pin Material	Opening Angle	IP Mount (Optional)	Working Load (Kg)	
DHIF-40	Polyamide	SS-304	180°	CD-25-M5	Ax.: 15	Ra.: 20

Hinges

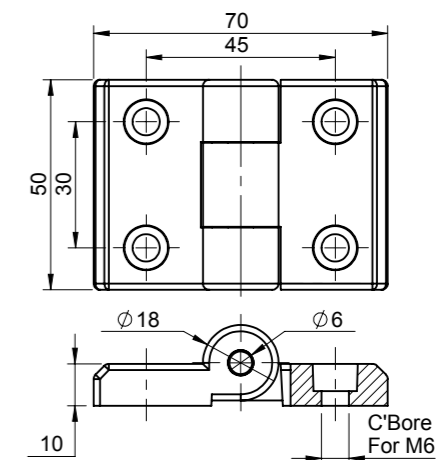
Flat Hinge : Polyamide



Product Code	Hinge Material	Pin Material	Opening Angle	Working Load (Kg)	
DHIF-50	Polyamide	SS-304	180°	Ax.: 20	Ra.: 21



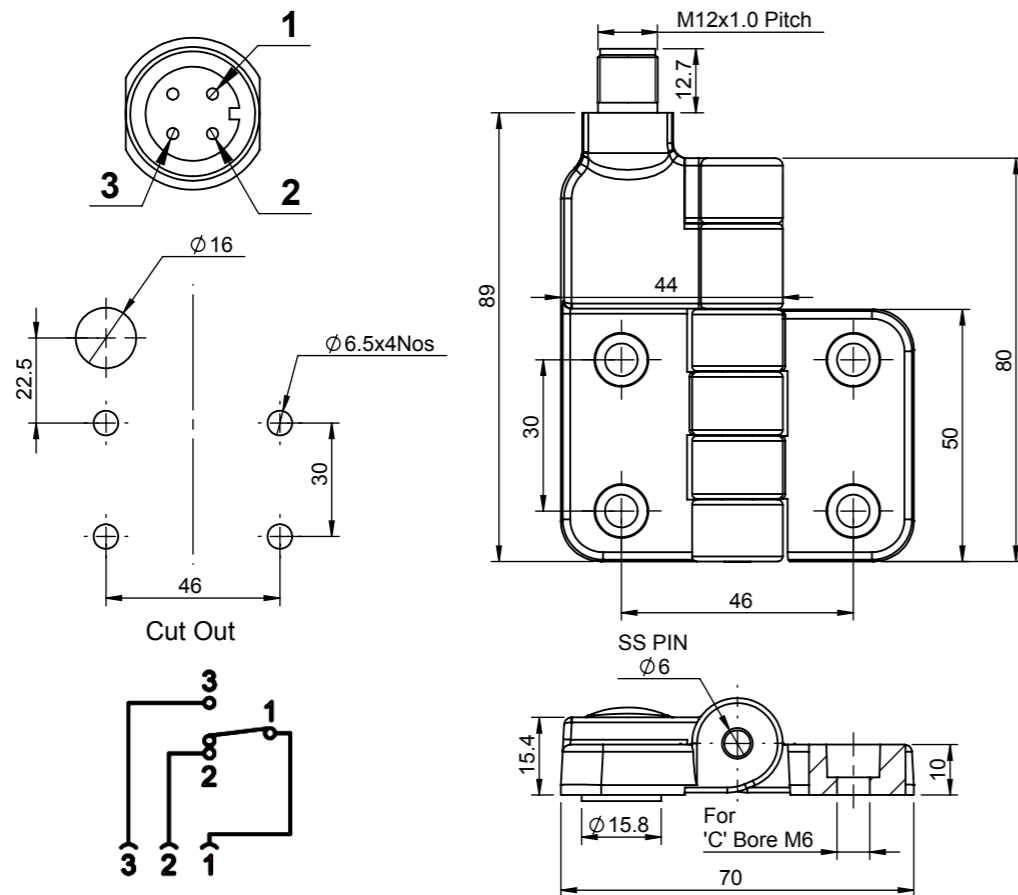
Product Code	Hinge Material	Pin Material	Opening Angle	Working Load (Kg)	
DHIF-5070	Polyamide	SS-304	180°	Ax.: 23	Ra.: 17



Product Code	Hinge Material	Pin Material	Opening Angle	Working Load (Kg)	
DHIF-5070-P	Polyamide	MS	180°	Ax.: 23	Ra.: 17

Hinges

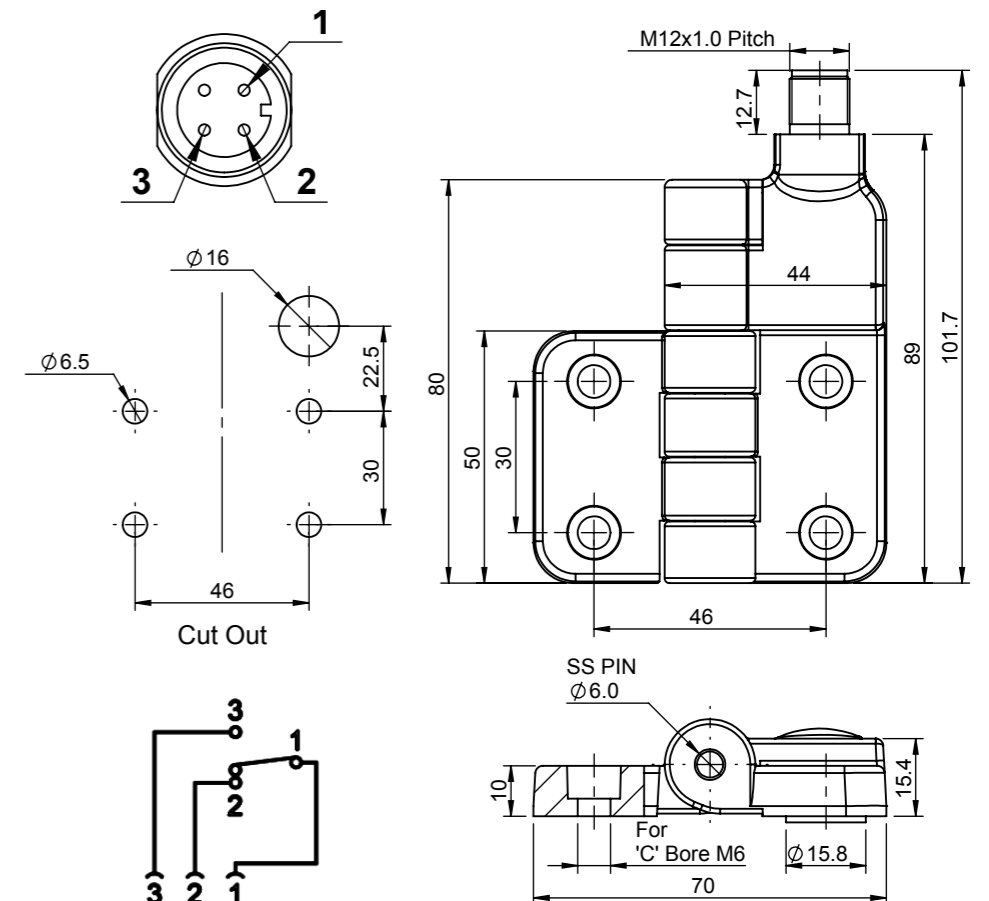
Flat Hinge : Polyamide



Product Code	Hinge Material	Pin Material	Opening Angle	Working Load (Kg)	
DHIF-8070-EF-L	Polyamide	SS-304	180°	Ax.:	Ra.:
Electrial Features : Insulation : 2.5kv, Use category : DC13 60Vac / 1.5 A, AC15 230Vac / 1.5A, Insulation Nominal voltage Ui : 250V, Short-circuit protection 6A / gl / gG, Thermic Powder I _{the} : 3A					
Operating anle of the hinge is 10° under regular usage. Operating angle might change due to the decrease in mechanical life the device.					

Hinges

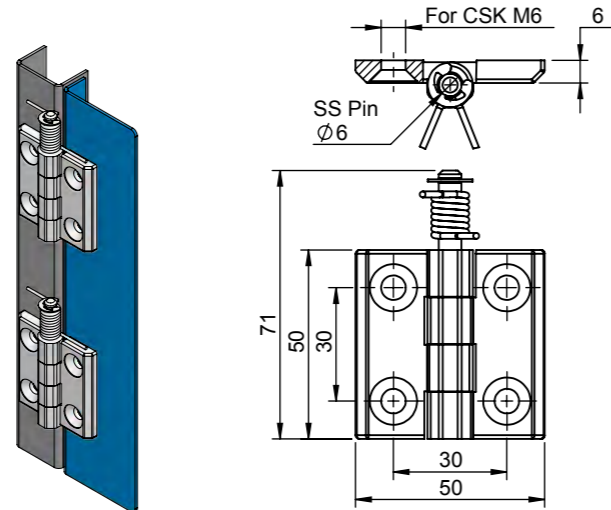
Flat Hinge : Polyamide



Product Code	Hinge Material	Pin Material	Opening Angle	Working Load (Kg)	
DHIF-8070-EF-R	Polyamide	SS-304	180°	Ax.:	Ra.:
Electrial Features : Insulation : 2.5kv, Use category : DC13 60Vac / 1.5 A, AC15 230Vac / 1.5A, Insulation Nominal voltage Ui : 250V, Short-circuit protection 6A / gl / gG, Thermic Powder I _{the} : 3A					
Operating anle of the hinge is 10° under regular usage. Operating angle might change due to the decrease in mechanical life the device.					

Hinges

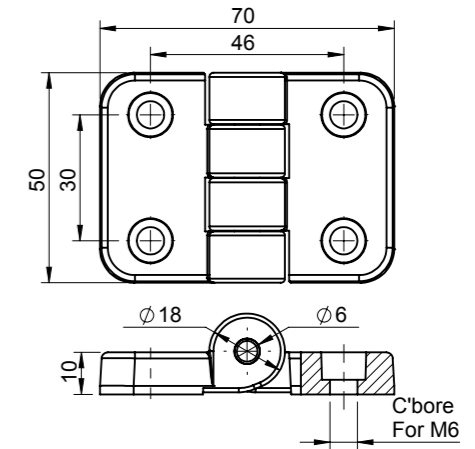
Flat Hinge : Polyamide



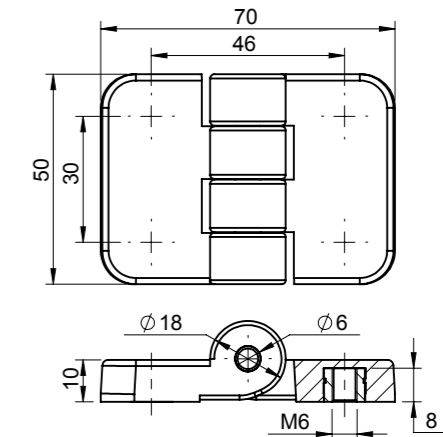
Product Code	Hinge Material	Pin Material	Opening Angle	Working Load (Kg)	
DHSF-50	Polyamide	SS-304	180°	Ax.:	Ra.:

Hinges

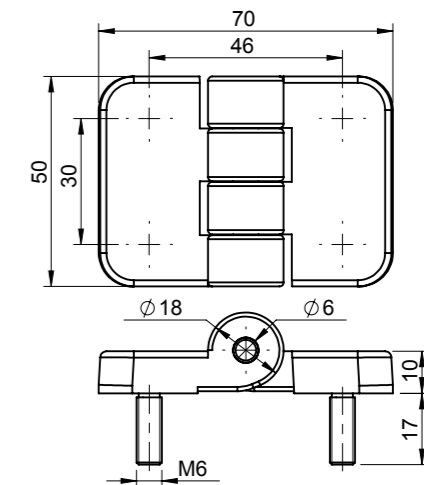
Flat Hinge : Polyamide



Product Code	Hinge Material	Pin Material	Opening Angle	Working Load (Kg)	
DHIF-5070-R	Polyamide	SS-304	180°	Ax.:	Ra.:



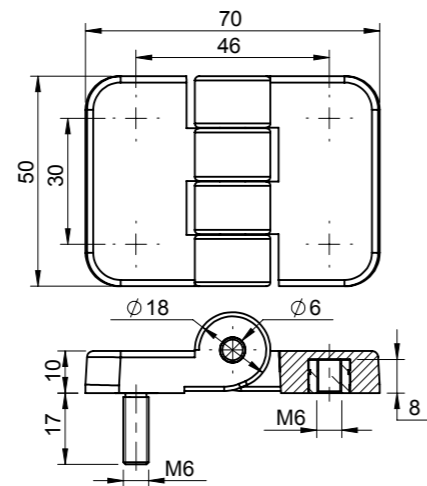
Product Code	Hinge Material	Pin Material	Opening Angle	Working Load (Kg)	
DHIF-5070-R-II	Polyamide	SS-304	180°	Ax.:	Ra.:



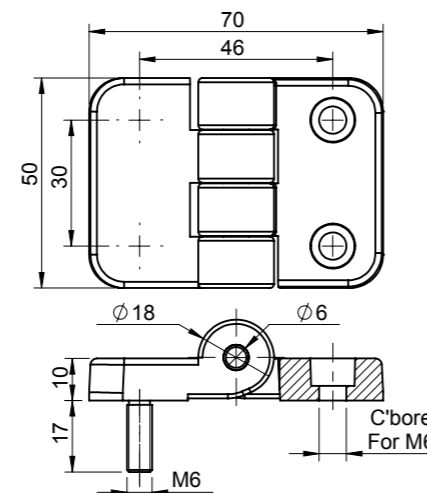
Product Code	Hinge Material	Pin Material	Opening Angle	Working Load (Kg)	
DHIF-5070-R-SS	Polyamide	SS-304	180°	Ax.:	Ra.:

Hinges

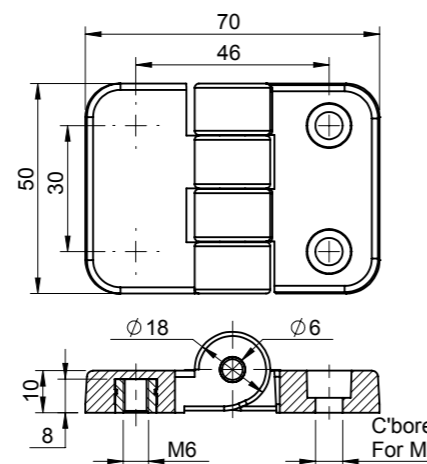
Flat Hinge : Polyamide



Product Code	Hinge Material	Pin Material	Opening Angle	Working Load (Kg)	
DHIF-5070-R-SI	Polyamide	SS-304	180°	Ax.: 19	Ra.: 34



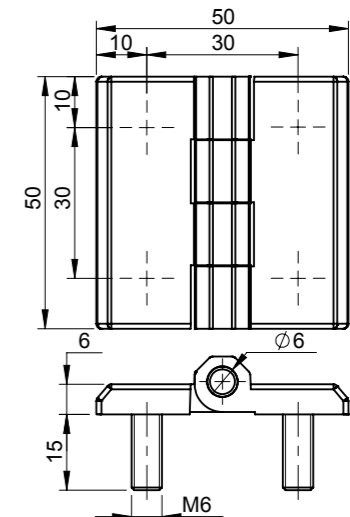
Product Code	Hinge Material	Pin Material	Opening Angle	Working Load (Kg)	
DHIF-5070-R-HS	Polyamide	SS-304	180°	Ax.: 21	Ra.: 32



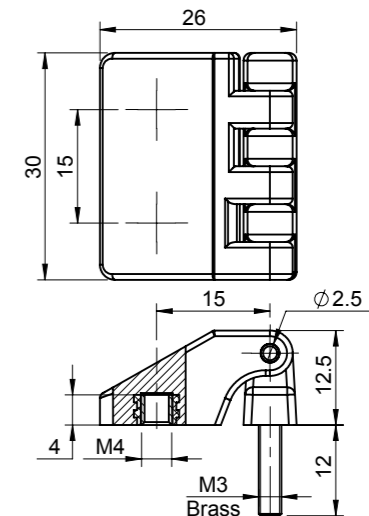
Product Code	Hinge Material	Pin Material	Opening Angle	Working Load (Kg)	
DHIF-5070-R-HI	Polyamide	SS-304	180°	Ax.: 18	Ra.: 25

Hinges

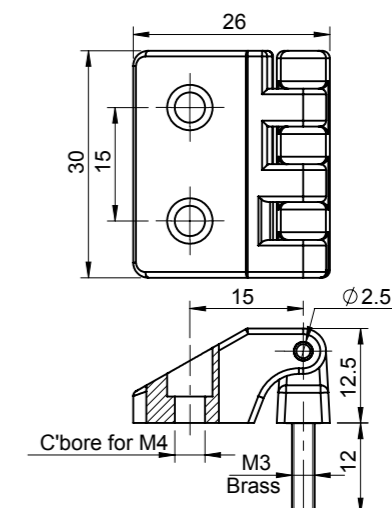
Flat Hinge : Polyamide



Product Code	Hinge Material	Pin Material	Opening Angle	Working Load (Kg)	
DHIF-50S	Polyamide	SS-304	180°	Ax.: 29	Ra.: 36



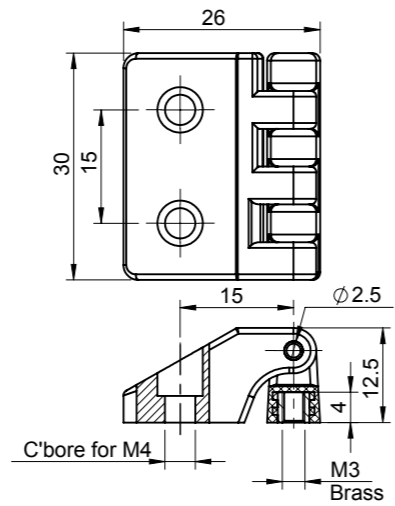
Product Code	Hinge Material	Pin Material	Opening Angle	Working Load (Kg)	
DHIF-2630-SI	Polyamide	SS-304	180°	Ax.: 13	Ra.: 11



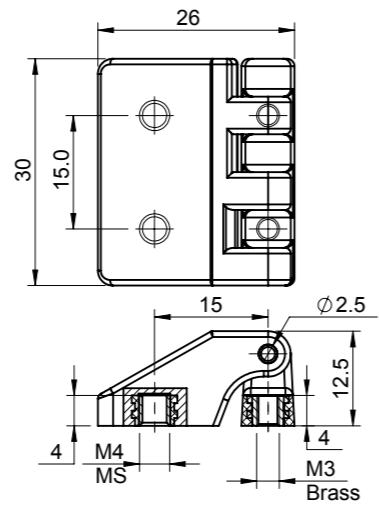
Product Code	Hinge Material	Pin Material	Opening Angle	Working Load (Kg)	
DHIF-2630-HS	Polyamide	SS-304	180°	Ax.: 09	Ra.: 08

Hinges

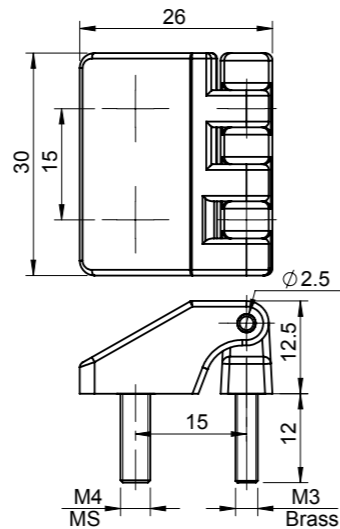
Flat Hinge : Polyamide



Product Code	Hinge Material	Pin Material	Opening Angle	Working Load (Kg)	
DHIF-2630-HI	Polyamide	SS-304	180°	Ax.: 12	Ra.: 10



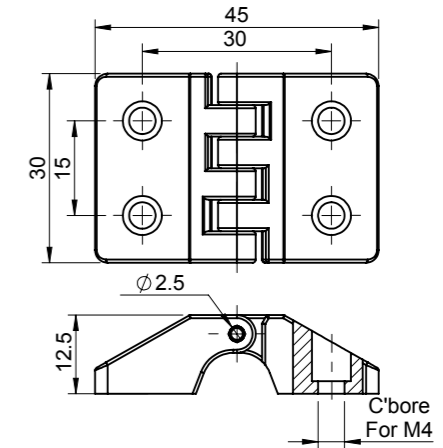
Product Code	Hinge Material	Pin Material	Opening Angle	Working Load (Kg)	
DHIF-2630-II	Polyamide	SS-304	180°	Ax.: 10	Ra.: 09



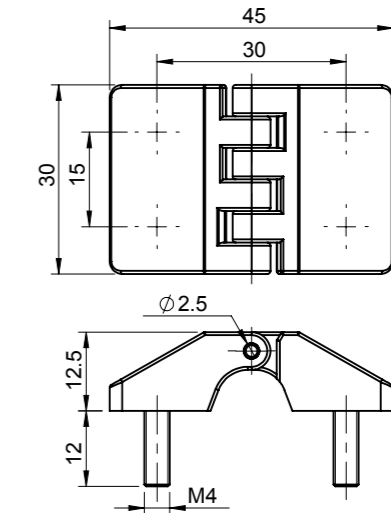
Product Code	Hinge Material	Pin Material	Opening Angle	Working Load (Kg)	
DHIF-2630-SS	Polyamide	SS-304	180°	Ax.: 13	Ra.: 12

Hinges

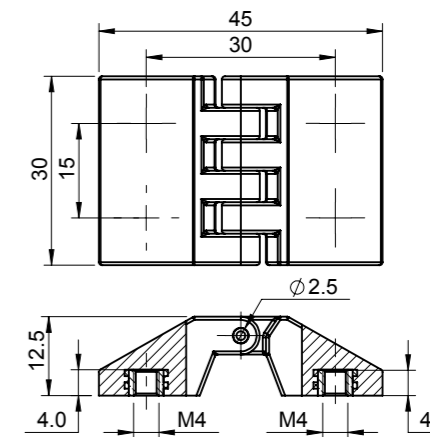
Flat Hinge : Polyamide



Product Code	Hinge Material	Pin Material	Opening Angle	IP Mount (Optional)	Working Load (Kg)	
DHIF-4530	Polyamide	SS-304	180°	CD-15-M4	Ax.: 12	Ra.: 21



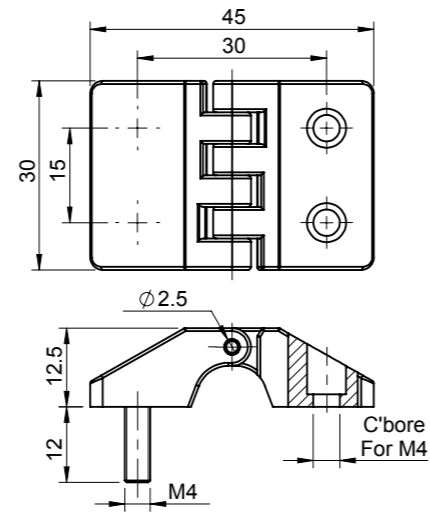
Product Code	Hinge Material	Pin Material	Opening Angle	Working Load (Kg)	
DHIF-4530-SS	Polyamide	SS-304	180°	Ax.: 07	Ra.: 16



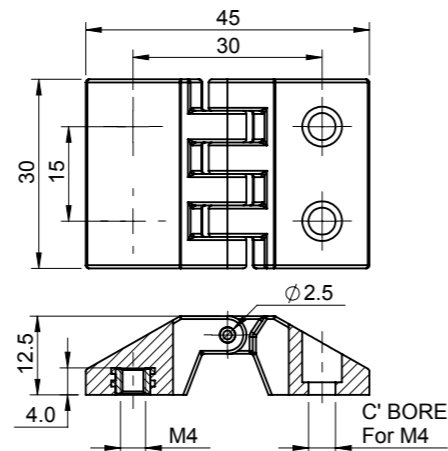
Product Code	Hinge Material	Pin Material	Opening Angle	Working Load (Kg)	
DHIF-4530-II	Polyamide	SS-304	180°	Ax.:	Ra.:

Hinges

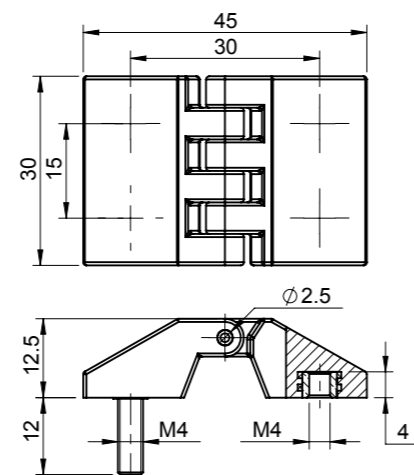
Flat Hinge : Polyamide



Product Code	Hinge Material	Pin Material	Opening Angle	Working Load (Kg)	
DHIF-4530-HS	Polyamide	SS-304	180°	Ax.: 08	Ra.: 17



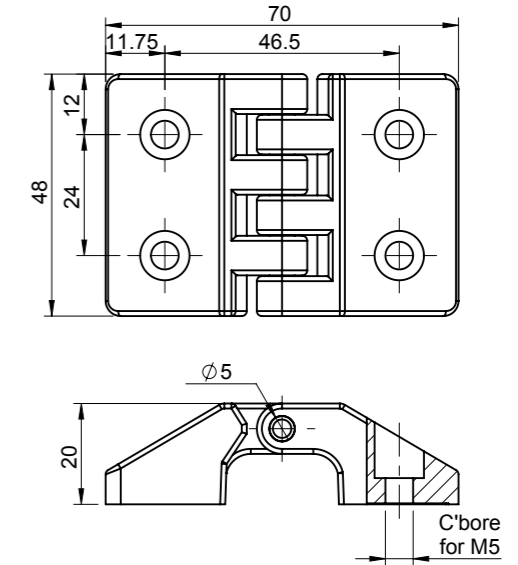
Product Code	Hinge Material	Pin Material	Opening Angle	Working Load (Kg)	
DHIF-4530-HI	Polyamide	SS-304	180°	Ax.:	Ra.:



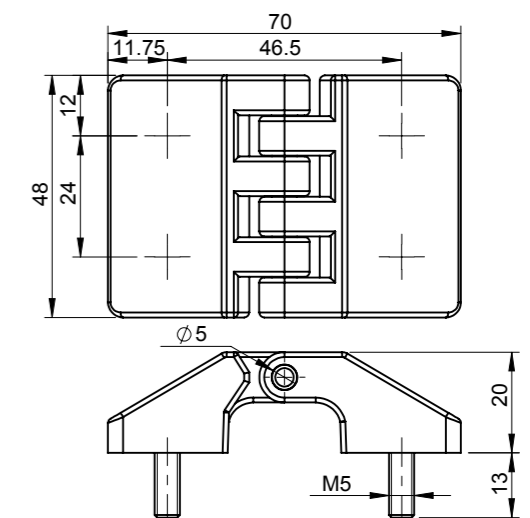
Product Code	Hinge Material	Pin Material	Opening Angle	Working Load (Kg)	
DHIF-4530-SI	Polyamide	SS-304	180°	Ax.:	Ra.:

Hinges

Flat Hinge : Polyamide



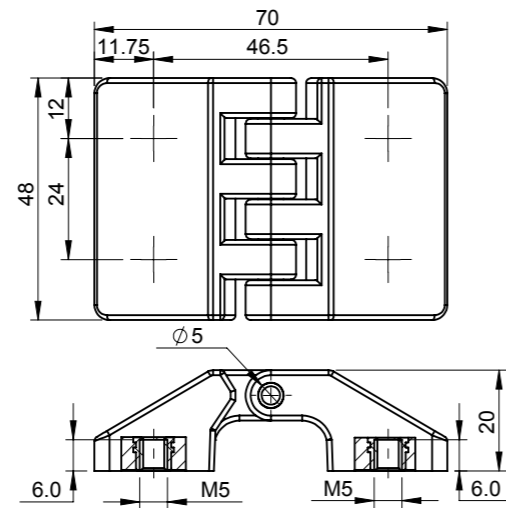
Product Code	Hinge Material	Pin Material	Opening Angle	Working Load (Kg)	
DHIF-7048	Polyamide	SS-304	180°	Ax.: 18	Ra.: 39



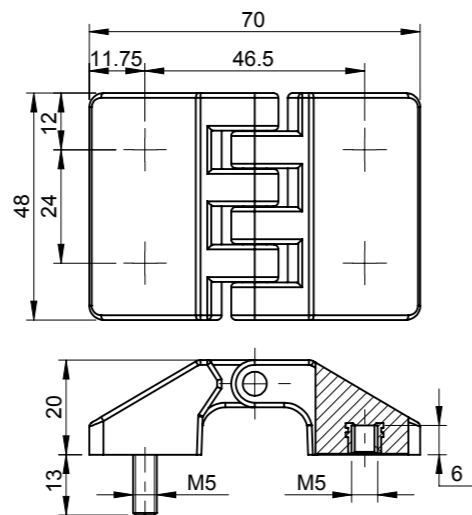
Product Code	Hinge Material	Pin Material	Opening Angle	Working Load (Kg)	
DHIF-7048-SS	Polyamide	SS-304	180°	Ax.: 16	Ra.: 43

Hinges

Flat Hinge : Polyamide



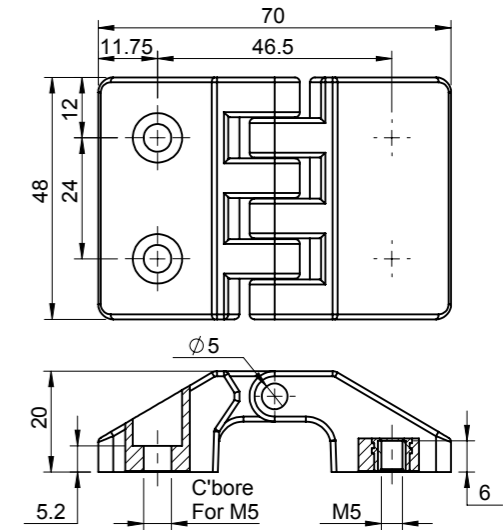
Product Code	Hinge Material	Pin Material	Opening Angle	Working Load (Kg)	
DHIF-7048-II	Polyamide	SS-304	180°	Ax.: 24	Ra.: 45



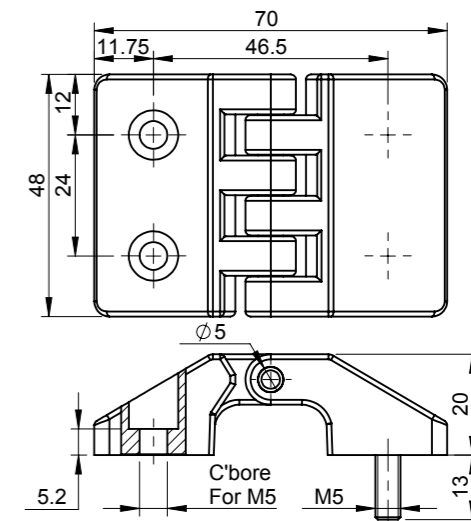
Product Code	Hinge Material	Pin Material	Opening Angle	Working Load (Kg)	
DHIF-7048-SI	Polyamide	SS-304	180°	Ax.: 20	Ra.: 42

Hinges

Flat Hinge : Polyamide



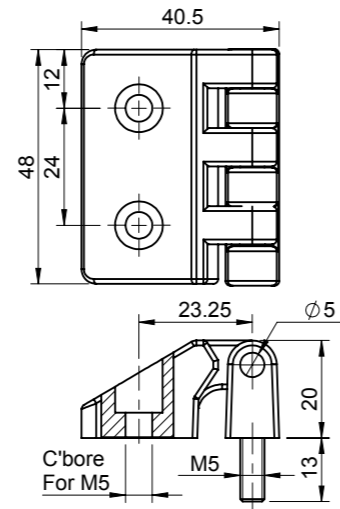
Product Code	Hinge Material	Pin Material	Opening Angle	Working Load (Kg)	
DHIF-7048-HI	Polyamide	SS-304	180°	Ax.: 18	Ra.: 38



Product Code	Hinge Material	Pin Material	Opening Angle	Working Load (Kg)	
DHIF-7048-HS	Polyamide	SS-304	180°	Ax.: 21	Ra.: 41

Hinges

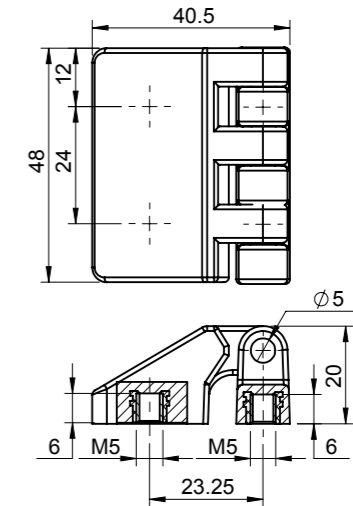
Flat Hinge : Polyamide



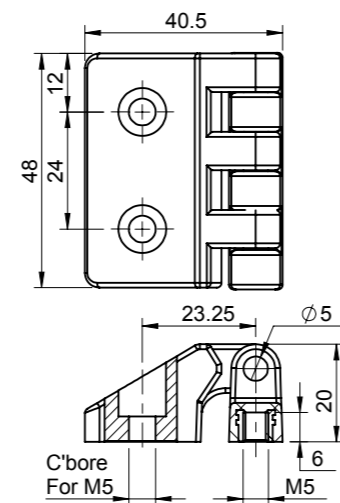
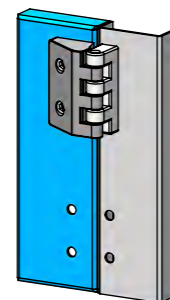
Product Code	Hinge Material	Pin Material	Opening Angle	Working Load (Kg)	
DHIF-5048-HS	Polyamide	SS-304	180°	Ax.: 09	Ra.: 13

Hinges

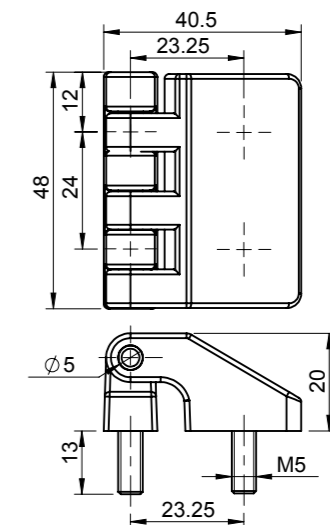
Flat Hinge : Polyamide



Product Code	Hinge Material	Pin Material	Opening Angle	Working Load (Kg)	
DHIF-5048-II	Polyamide	SS-304	180°	Ax.: 12	Ra.: 10



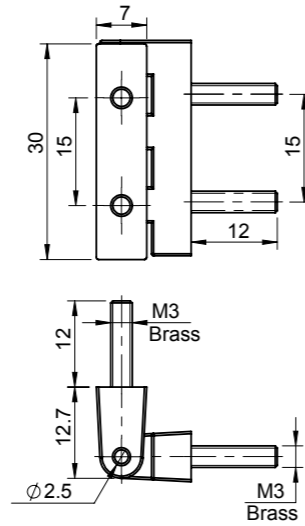
Product Code	Hinge Material	Pin Material	Opening Angle	Working Load (Kg)	
DHIF-5048-HI	Polyamide	SS-304	180°	Ax.: 10	Ra.: 12



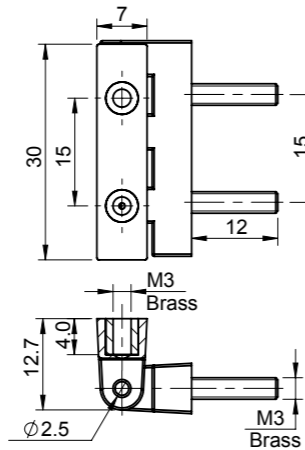
Product Code	Hinge Material	Pin Material	Opening Angle	Working Load (Kg)	
DHIF-5048-SS	Polyamide	SS-304	180°	Ax.: 15	Ra.: 13

Hinges

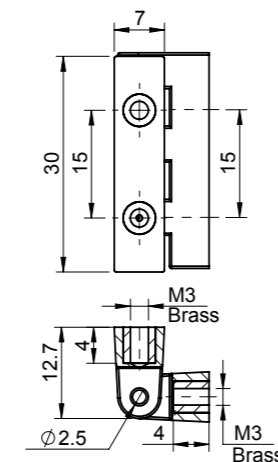
Flat Hinge : Polyamide



Product Code	Hinge Material	Pin Material	Opening Angle	Working Load (Kg)	
				Ax.:	Ra.:
DHIF-1230-SS	Polyamide	SS-304	180°		



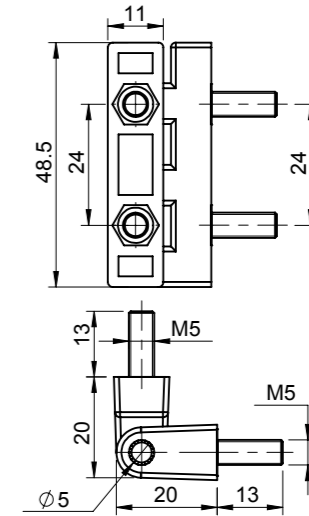
Product Code	Hinge Material	Pin Material	Opening Angle	Working Load (Kg)	
				Ax.:	Ra.:
DHIF-1230-SI	Polyamide	SS-304	180°		



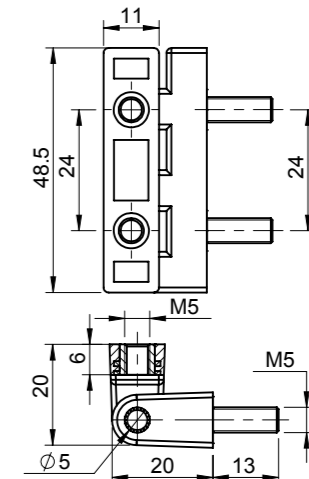
Product Code	Hinge Material	Pin Material	Opening Angle	Working Load (Kg)	
				Ax.:	Ra.:
DHIF-1230-II	Polyamide	SS-304	180°		

Hinges

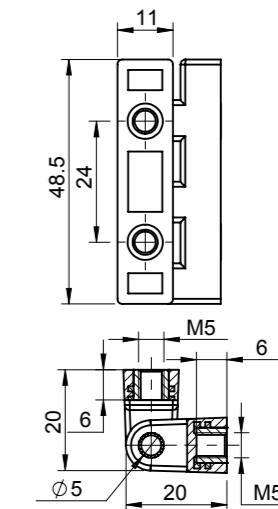
Flat Hinge : Polyamide



Product Code	Hinge Material	Pin Material	Opening Angle	Working Load (Kg)	
				Ax.:	Ra.:
DHIF-3048-SS	Polyamide	SS-304	180°		



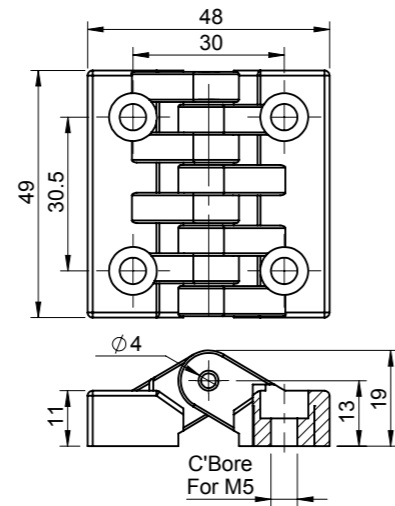
Product Code	Hinge Material	Pin Material	Opening Angle	Working Load (Kg)	
				Ax.:	Ra.:
DHIF-3048-SI	Polyamide	SS-304	180°		



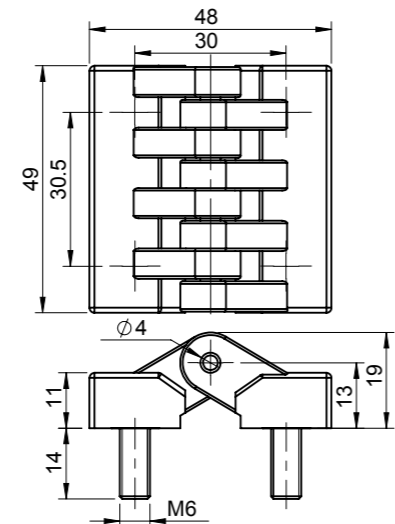
Product Code	Hinge Material	Pin Material	Opening Angle	Working Load (Kg)	
				Ax.:	Ra.:
DHIF-3048-II	Polyamide	SS-304	180°		

Hinges

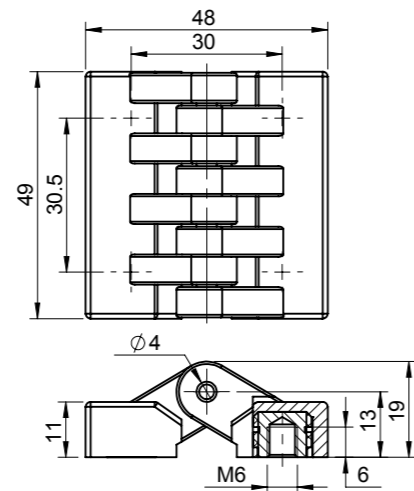
Flat Hinge : Polyamide



Product Code	Hinge Material	Pin Material	Opening Angle	Working Load (Kg)	
DHIF-4849	Polyamide	SS-304	180°	Ax.: 33	Ra.: 34



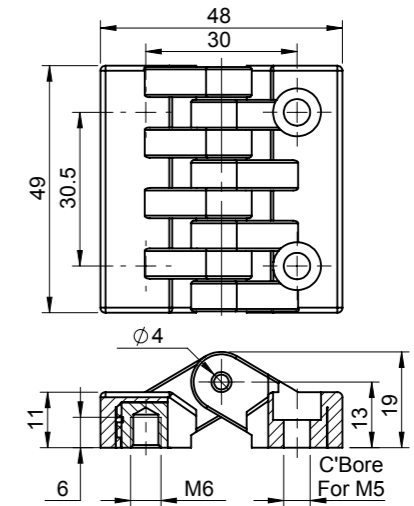
Product Code	Hinge Material	Pin Material	Opening Angle	Working Load (Kg)	
DHIF-4849-SS	Polyamide	SS-304	180°	Ax.: 33	Ra.: 40



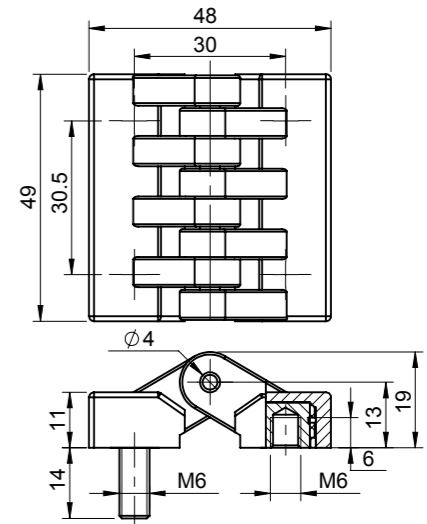
Product Code	Hinge Material	Pin Material	Opening Angle	Working Load (Kg)	
DHIF-4849-II	Polyamide	SS-304	180°	Ax.: 40	Ra.: 32

Hinges

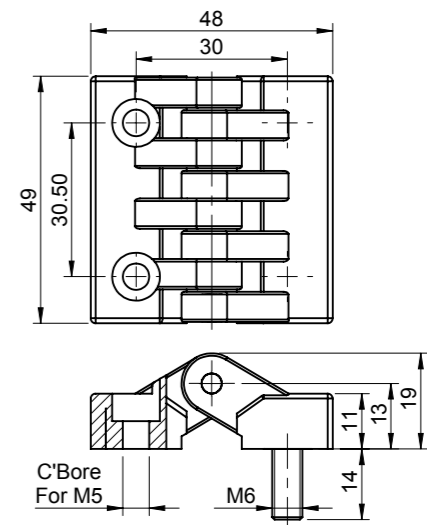
Flat Hinge : Polyamide



Product Code	Hinge Material	Pin Material	Opening Angle	Working Load (Kg)	
DHIF-4849-HI	Polyamide	SS-304	180°	Ax.: 20	Ra.: 26



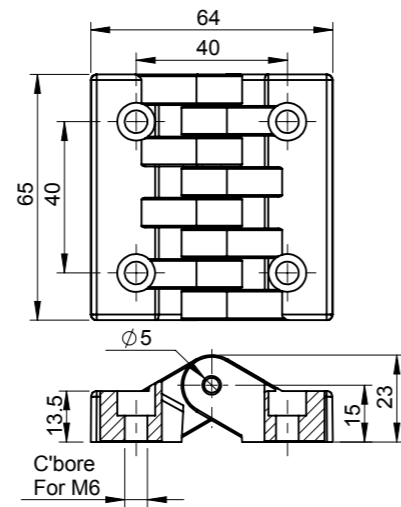
Product Code	Hinge Material	Pin Material	Opening Angle	Working Load (Kg)	
DHIF-4849-SI	Polyamide	SS-304	180°	Ax.: 33	Ra.: 32



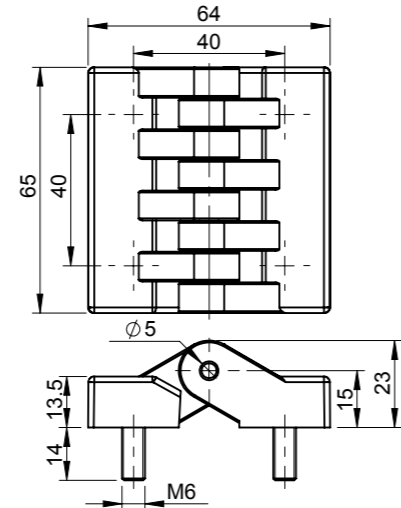
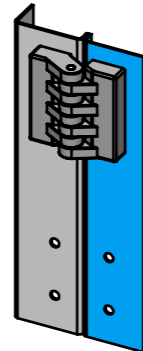
Product Code	Hinge Material	Pin Material	Opening Angle	Working Load (Kg)	
DHIF-4849-HS	Polyamide	SS-304	180°	Ax.: 20	Ra.: 46

Hinges

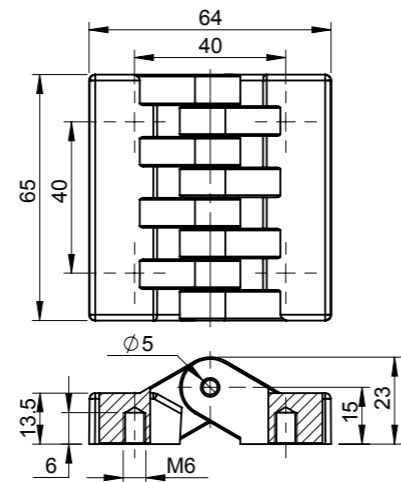
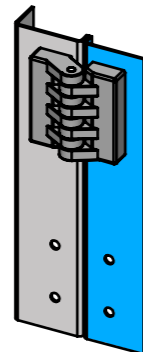
Flat Hinge : Polyamide



Product Code	Hinge Material	Pin Material	Opening Angle	Working Load (Kg)	
DHIF-6465	Polyamide	SS-304	180°	Ax.: 50	Ra.: 48



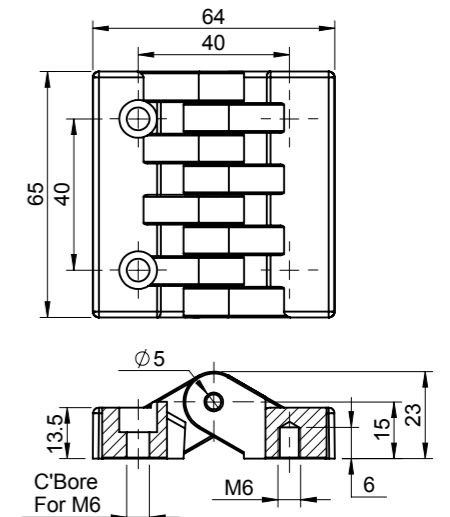
Product Code	Hinge Material	Pin Material	Opening Angle	Working Load (Kg)	
DHIF-6465-SS	Polyamide	SS-304	180°	Ax.: 39	Ra.: 56



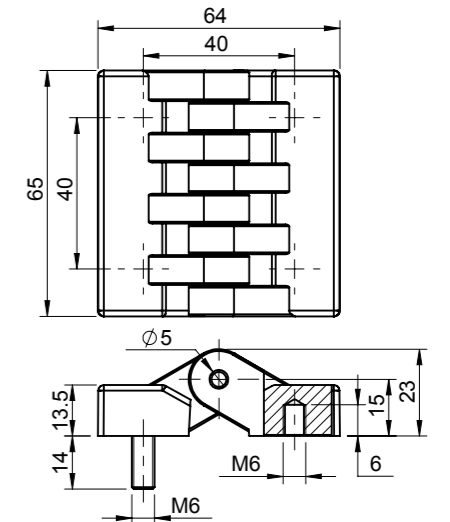
Product Code	Hinge Material	Pin Material	Opening Angle	Working Load (Kg)	
DHIF-6465-II	Polyamide	SS-304	180°	Ax.: 40	Ra.: 57

Hinges

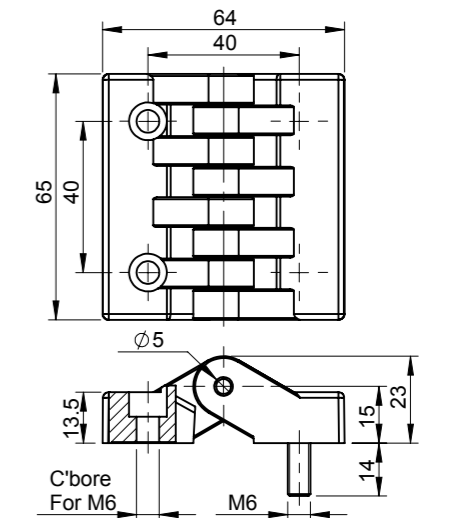
Flat Hinge : Polyamide



Product Code	Hinge Material	Pin Material	Opening Angle	Working Load (Kg)	
DHIF-6465-HI	Polyamide	SS-304	180°	Ax.: 45	Ra.: 57



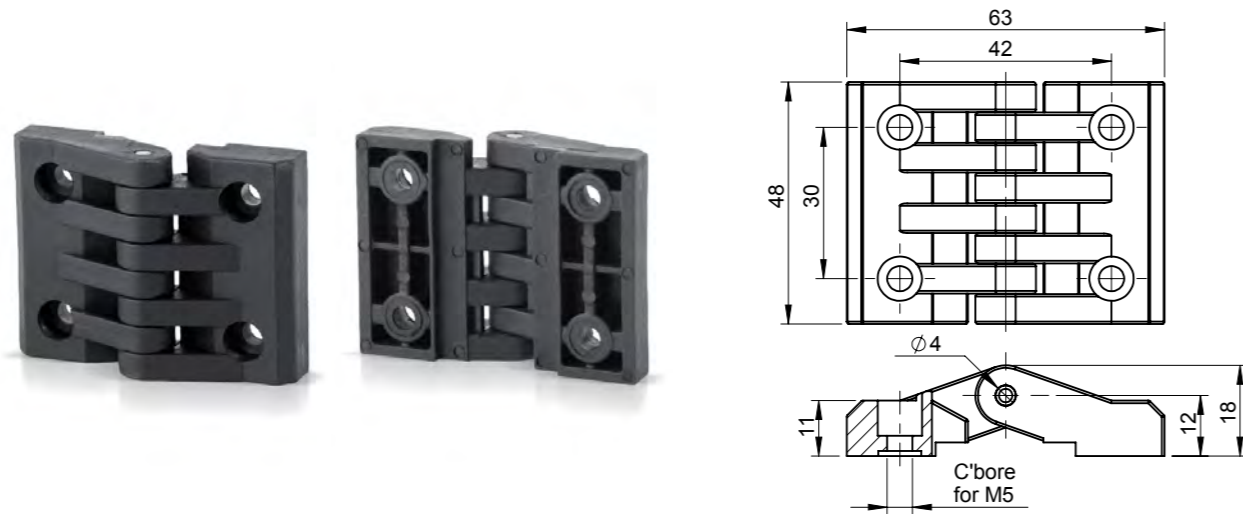
Product Code	Hinge Material	Pin Material	Opening Angle	Working Load (Kg)	
DHIF-6465-SI	Polyamide	SS-304	180°	Ax.: 34	Ra.: 50



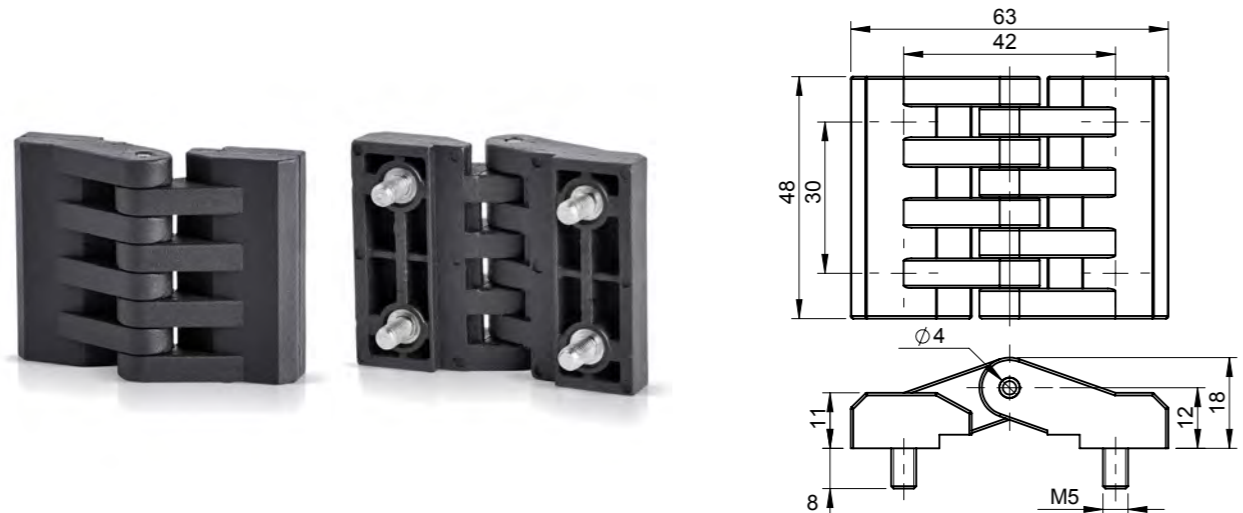
Product Code	Hinge Material	Pin Material	Opening Angle	Working Load (Kg)	
DHIF-6465-HS	Polyamide	SS-304	180°	Ax.: 46	Ra.: 55

Hinges

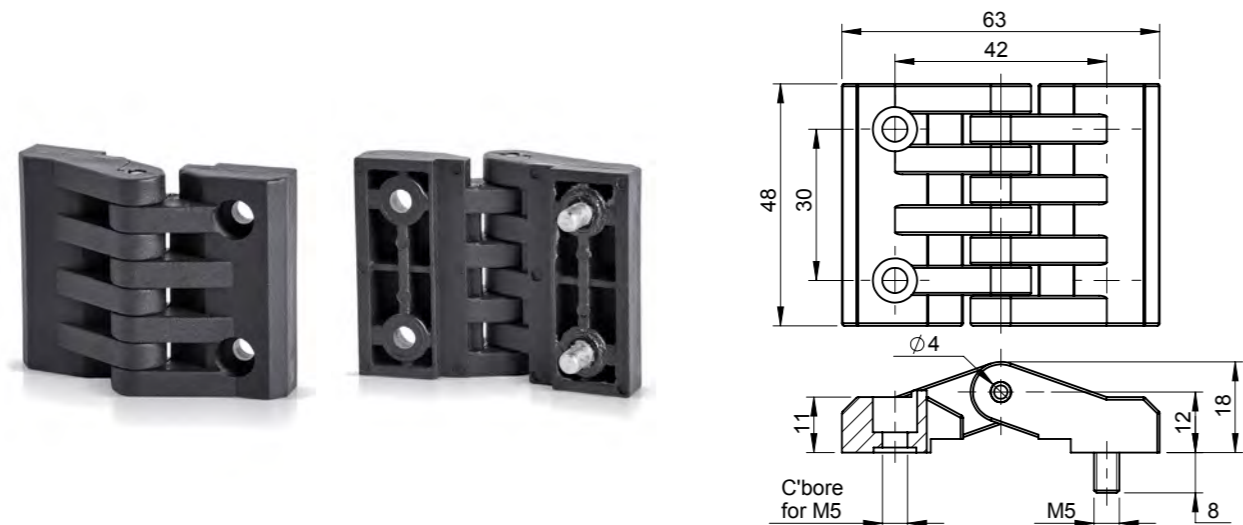
Flat Hinge : Polyamide



Product Code	Hinge Material	Pin Material	Opening Angle	Working Load (Kg)	
DHIF-6348-18	Polyamide	SS-304	180°	Ax.: 33	Ra.: 54



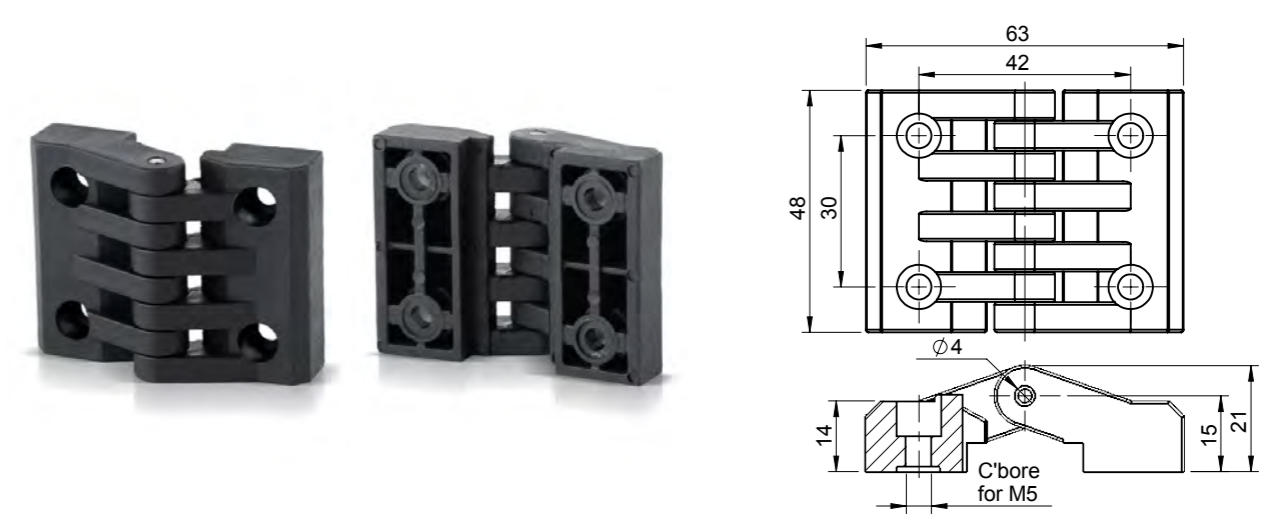
Product Code	Hinge Material	Pin Material	Opening Angle	Working Load (Kg)	
DHIF-6348-18-SS	Polyamide	SS-304	180°	Ax.:	Ra.:



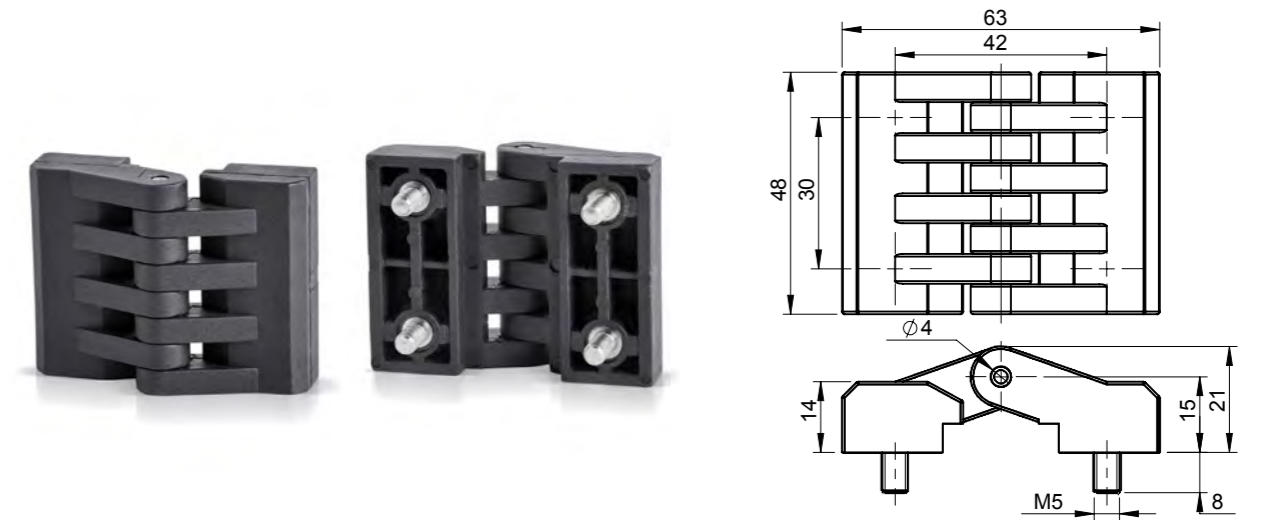
Product Code	Hinge Material	Pin Material	Opening Angle	Working Load (Kg)	
DHIF-6348-18-HS	Polyamide	SS-304	180°	Ax.: 33	Ra.: 54

Hinges

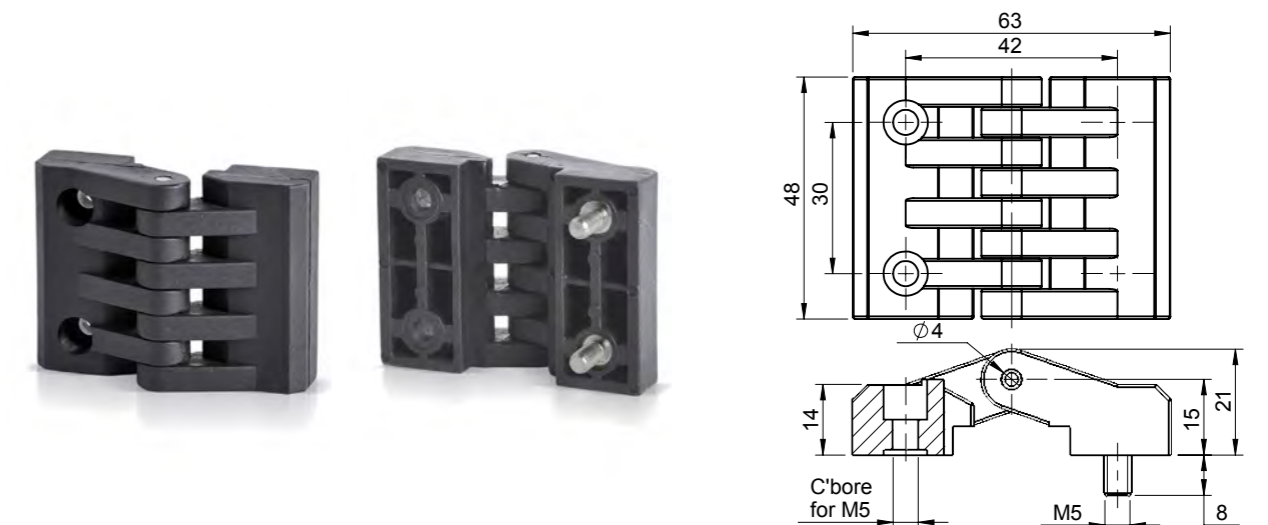
Flat Hinge : Polyamide



Product Code	Hinge Material	Pin Material	Opening Angle	Working Load (Kg)	
DHIF-6348-21	Polyamide	SS-304	180°	Ax.: 27	Ra.: 39



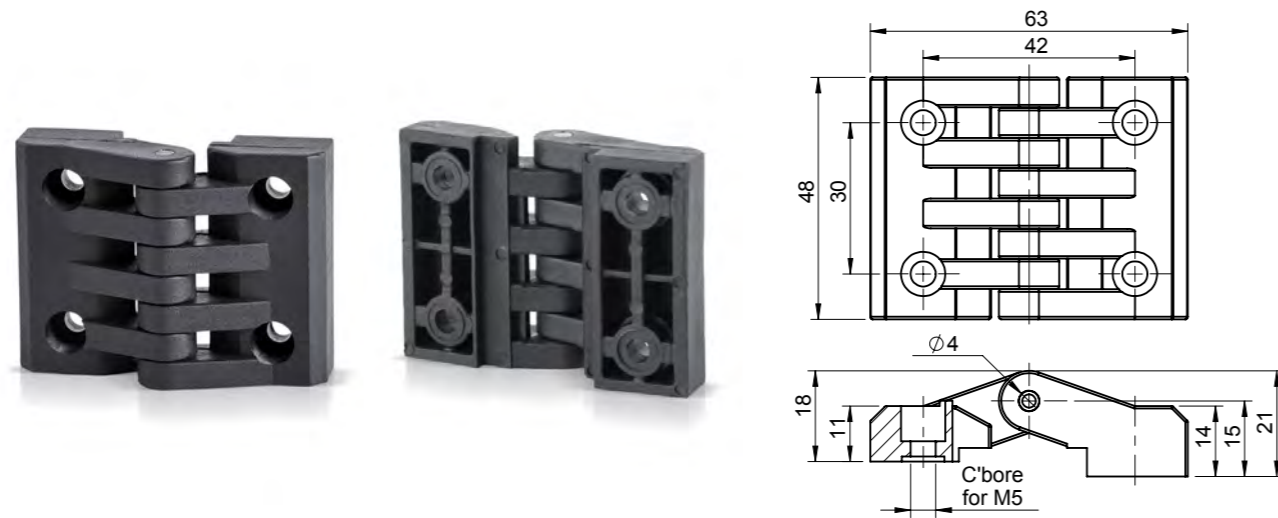
Product Code	Hinge Material	Pin Material	Opening Angle	Working Load (Kg)	
DHIF-6348-21-SS	Polyamide	SS-304	180°	Ax.: 28	Ra.: 50



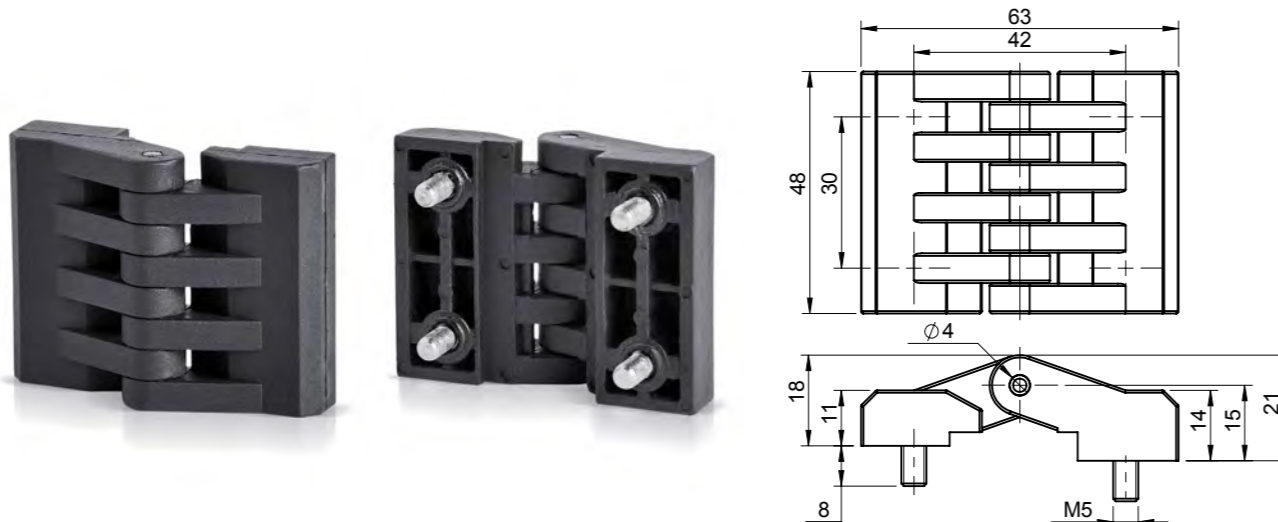
Product Code	Hinge Material	Pin Material	Opening Angle	Working Load (Kg)	
DHIF-6348-21-HS	Polyamide	SS-304	180°	Ax.: 28	Ra.: 54

Hinges

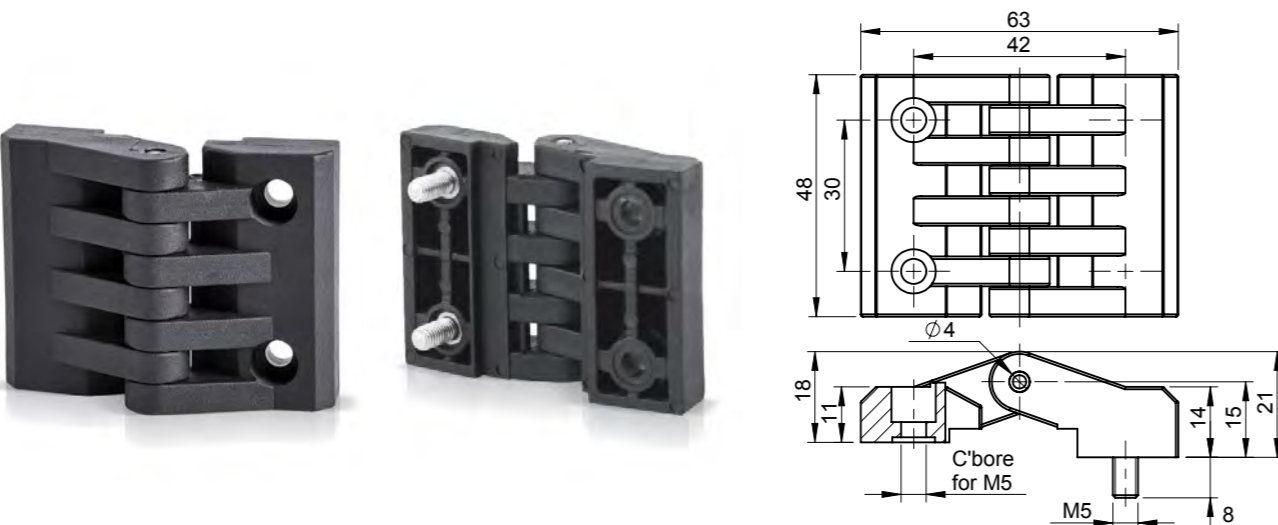
Flat Hinge : Polyamide



Product Code	Hinge Material	Pin Material	Opening Angle	Working Load (Kg)	
DHIF-6348-1821	Polyamide	SS-304	180°	Ax.: 40	Ra.: 43



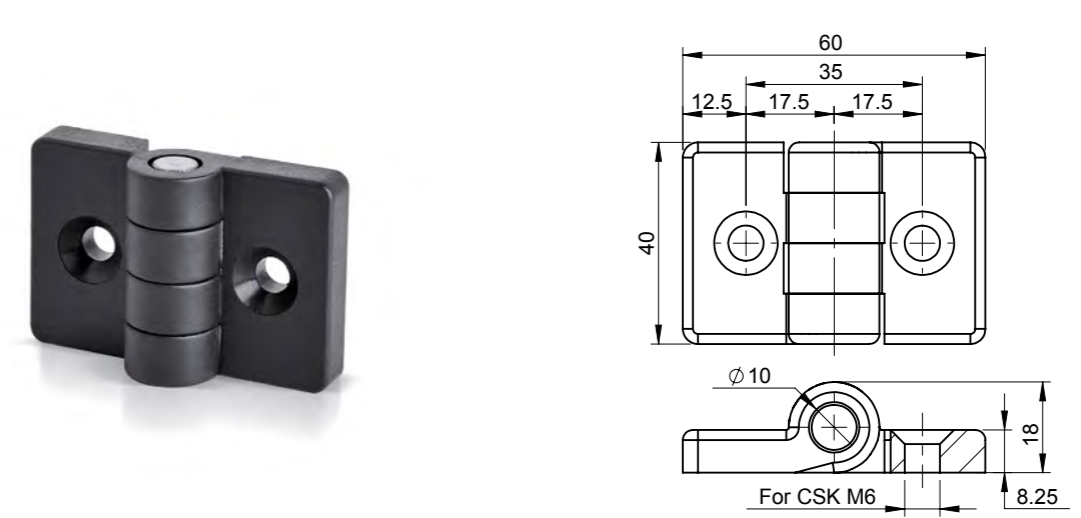
Product Code	Hinge Material	Pin Material	Opening Angle	Working Load (Kg)	
DHIF-6348-1821-SS	Polyamide	SS-304	180°	Ax.:	Ra.:



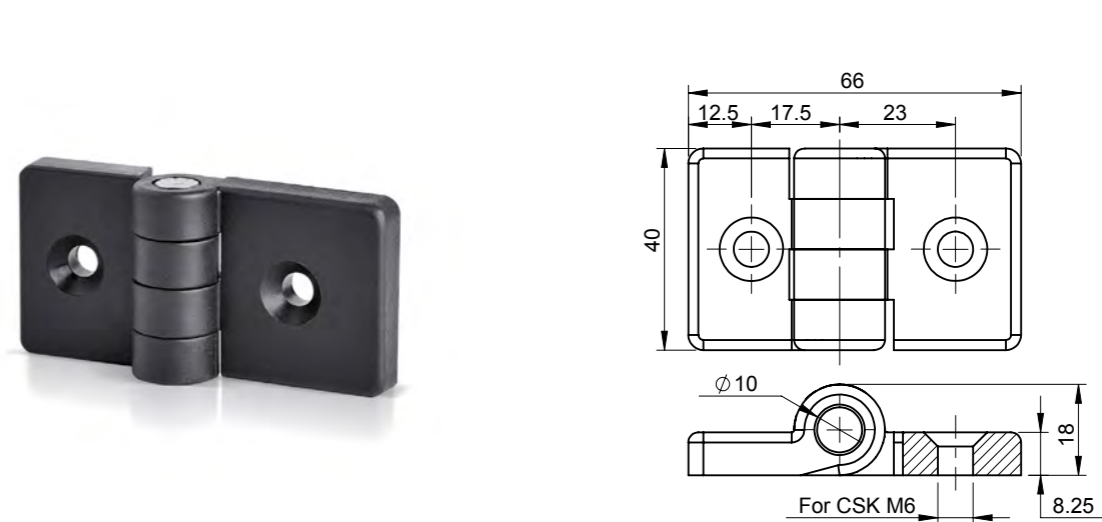
Product Code	Hinge Material	Pin Material	Opening Angle	Working Load (Kg)	
DHIF-6348-1821-HS	Polyamide	SS-304	180°	Ax.:	Ra.:

Hinges

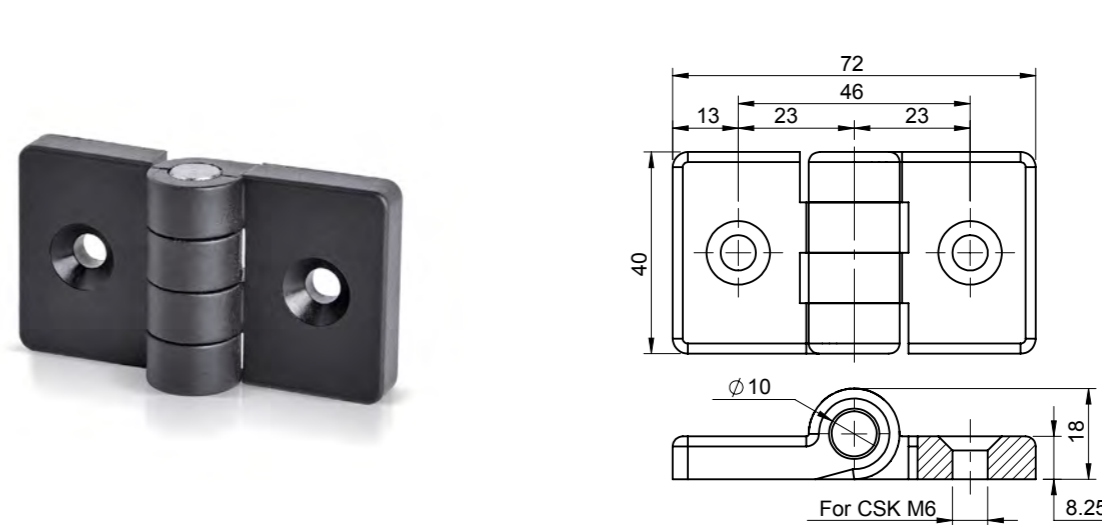
Flat Hinge : Polyamide



Product Code	Hinge Material	Pin Material	Opening Angle	Working Load (Kg)	
DHIF-4060A	Polyamide	SS-304	180°	Ax.:	Ra.:



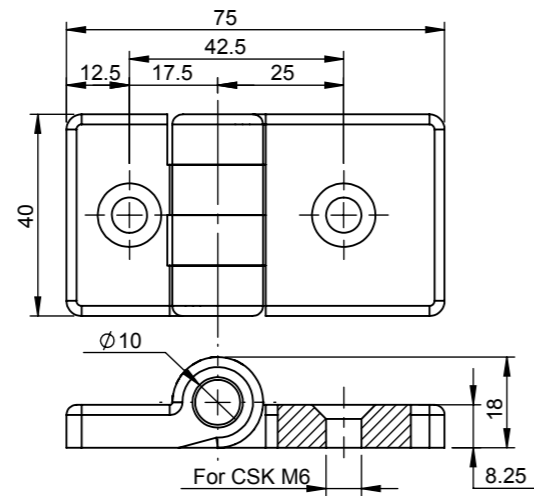
Product Code	Hinge Material	Pin Material	Opening Angle	Working Load (Kg)	
DHIF-4065A	Polyamide	SS-304	180°	Ax.:	Ra.:



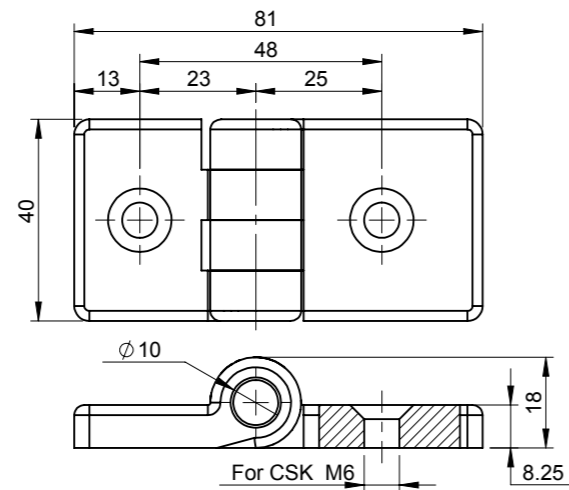
Product Code	Hinge Material	Pin Material	Opening Angle	Working Load (Kg)	
DHIF-4072A	Polyamide	SS-304	180°	Ax.: 23	Ra.: 29

Hinges

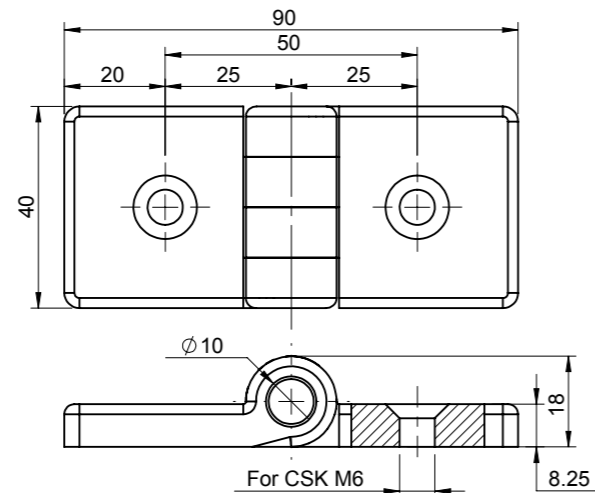
Flat Hinge : Polyamide



Product Code	Hinge Material	Pin Material	Opening Angle	Working Load (Kg)	
DHIF-4075A	Polyamide	SS-304	180°	Ax.:	Ra.:



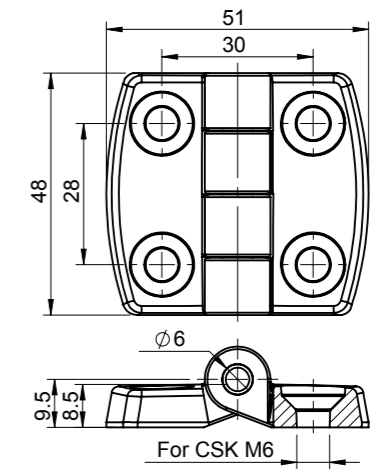
Product Code	Hinge Material	Pin Material	Opening Angle	Working Load (Kg)	
DHIF-4081A	Polyamide	SS-304	180°	Ax.:	Ra.:



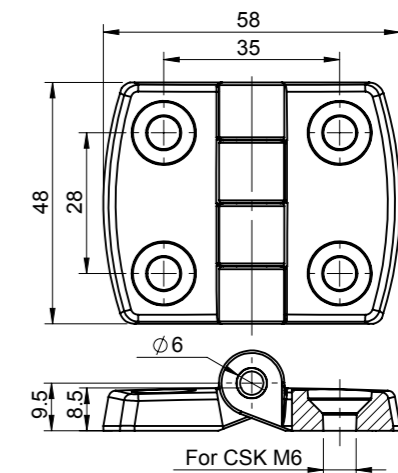
Product Code	Hinge Material	Pin Material	Opening Angle	Working Load (Kg)	
DHIF-4090A	Polyamide	SS-304	180°	Ax.:	Ra.:

Hinges

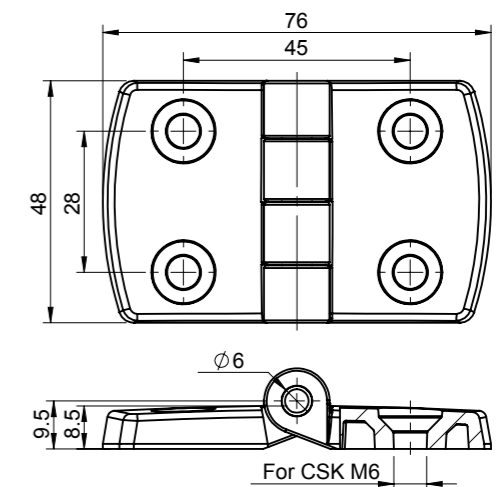
Flat Hinge : Polyamide



Product Code	Hinge Material	Pin Material	Opening Angle	Working Load (Kg)	
DHIF-4851	Polyamide	SS-304	180°	Ax.: 21	Ra.: 26



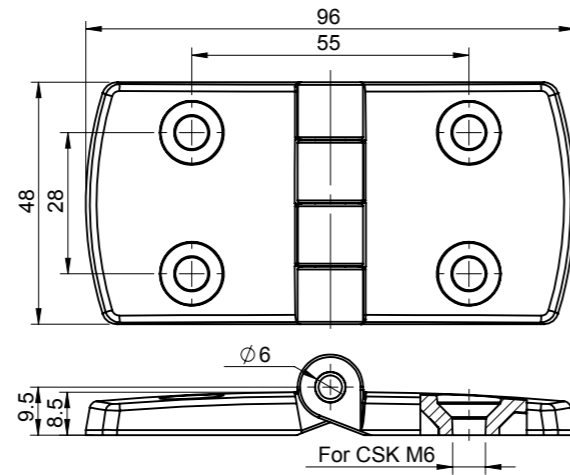
Product Code	Hinge Material	Pin Material	Opening Angle	Working Load (Kg)	
DHIF-4858	Polyamide	SS-304	180°	Ax.: 23	Ra.: 24



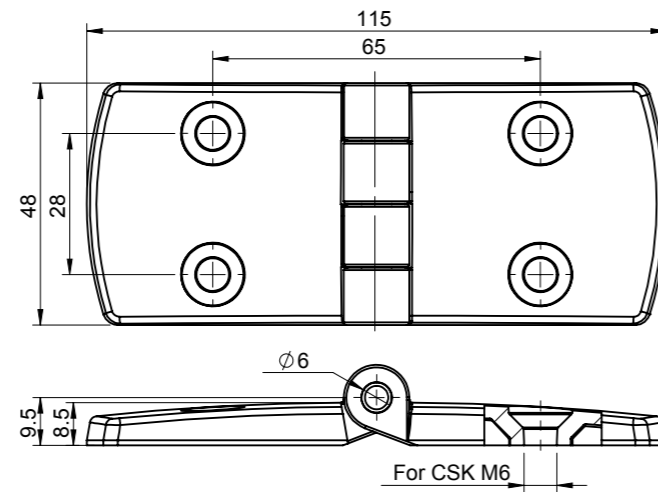
Product Code	Hinge Material	Pin Material	Opening Angle	Working Load (Kg)	
DHIF-4876	Polyamide	SS-304	180°	Ax.: 19	Ra.: 24

Hinges

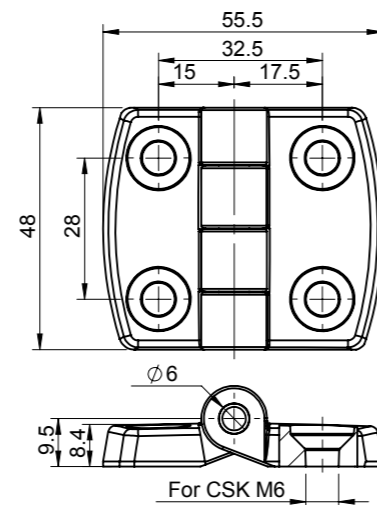
Flat Hinge : Polyamide



Product Code	Hinge Material	Pin Material	Opening Angle	Working Load (Kg)	
DHIF-4896	Polyamide	SS-304	180°	Ax.: 20	Ra.: 25



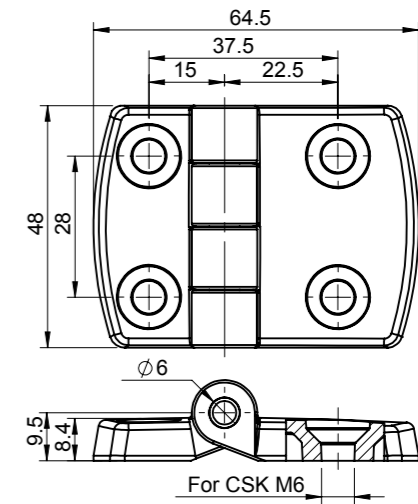
Product Code	Hinge Material	Pin Material	Opening Angle	Working Load (Kg)	
DHIF-48115	Polyamide	SS-304	180°	Ax.: 22	Ra.: 24



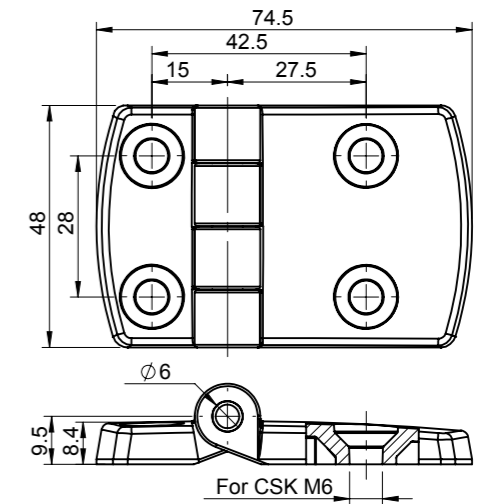
Product Code	Hinge Material	Pin Material	Opening Angle	Working Load (Kg)	
DHIF-5158	Polyamide	SS-304	180°	Ax.: 21	Ra.: 25

Hinges

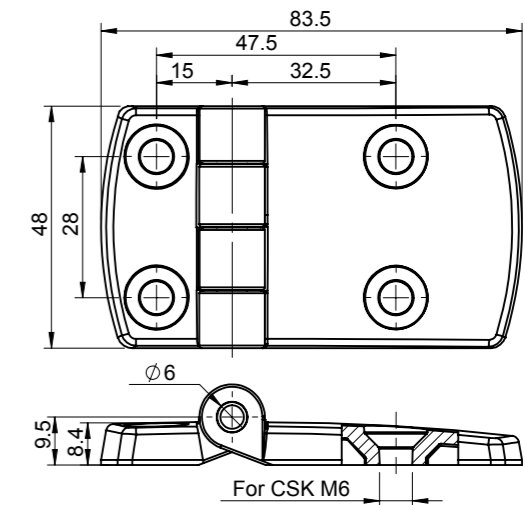
Flat Hinge : Polyamide



Product Code	Hinge Material	Pin Material	Opening Angle	Working Load (Kg)	
DHIF-5176	Polyamide	SS-304	180°	Ax.: 19	Ra.: 24



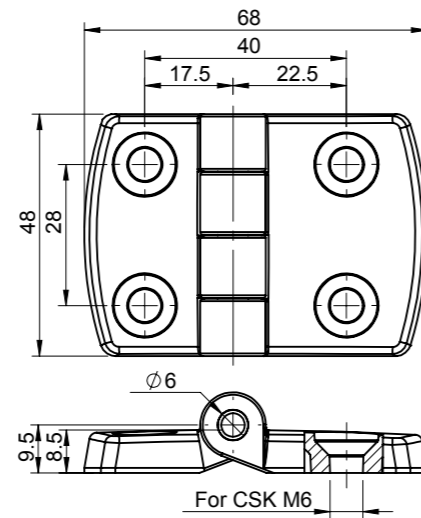
Product Code	Hinge Material	Pin Material	Opening Angle	Working Load (Kg)	
DHIF-5196	Polyamide	SS-304	180°	Ax.: 20	Ra.: 22



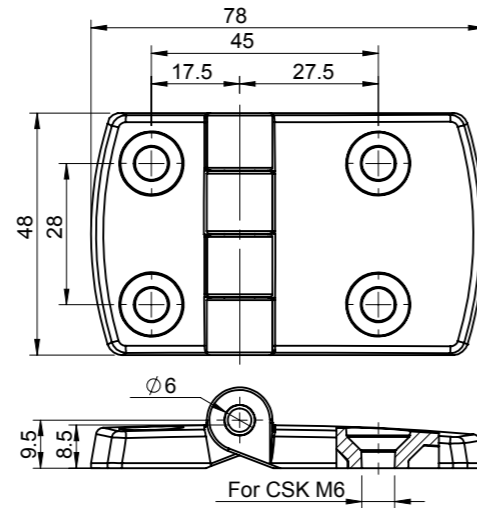
Product Code	Hinge Material	Pin Material	Opening Angle	Working Load (Kg)	
DHIF-51115	Polyamide	SS-304	180°	Ax.: 16	Ra.: 25

Hinges

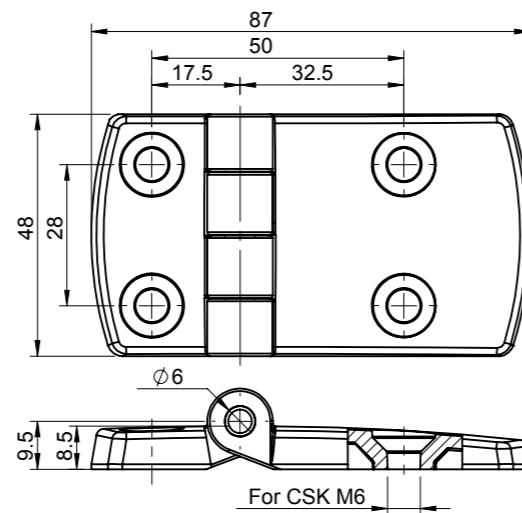
Flat Hinge : Polyamide



Product Code	Hinge Material	Pin Material	Opening Angle	Working Load (Kg)	
DHIF-5876	Polyamide	SS-304	180°	Ax.: 21	Ra.: 26



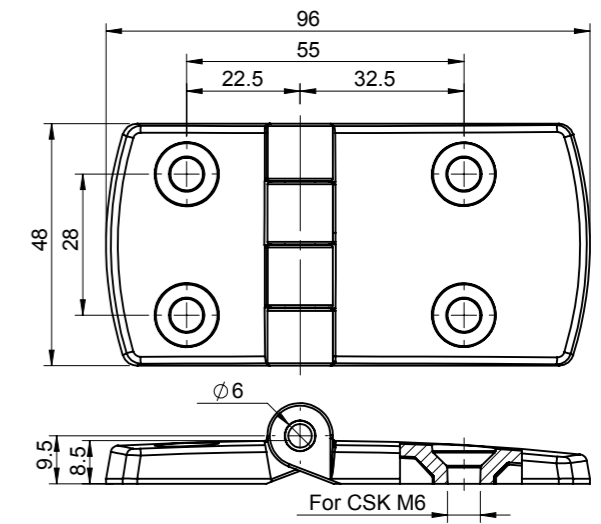
Product Code	Hinge Material	Pin Material	Opening Angle	Working Load (Kg)	
DHIF-5896	Polyamide	SS-304	180°	Ax.: 24	Ra.: 24



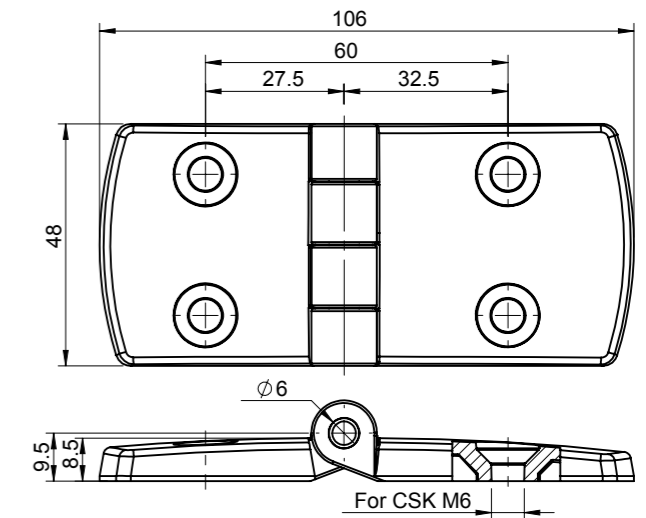
Product Code	Hinge Material	Pin Material	Opening Angle	Working Load (Kg)	
DHIF-58115	Polyamide	SS-304	180°	Ax.: 19	Ra.: 24

Hinges

Flat Hinge : Polyamide



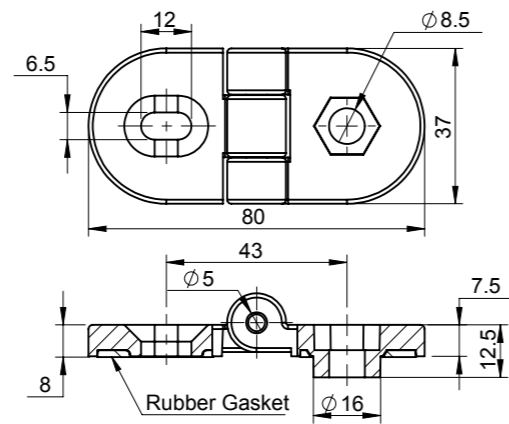
Product Code	Hinge Material	Pin Material	Opening Angle	Working Load (Kg)	
DHIF-76115	Polyamide	SS-304	180°	Ax.: 19	Ra.: 23



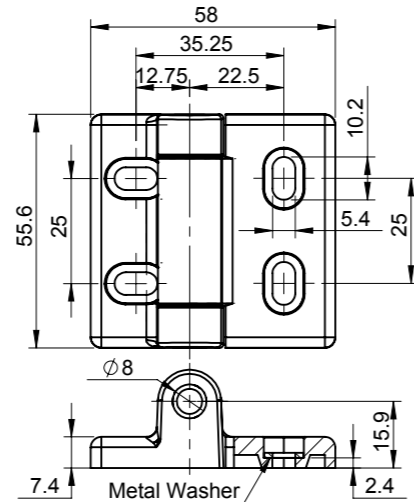
Product Code	Hinge Material	Pin Material	Opening Angle	Working Load (Kg)	
DHIF-96115	Polyamide	SS-304	180°	Ax.: 20	Ra.: 25

Hinges

Flat Hinge : Polyamide



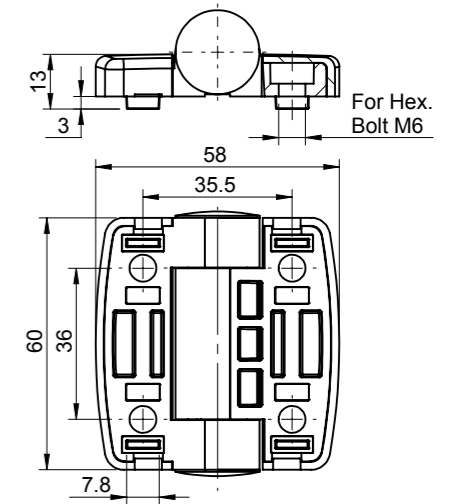
Product Code	Hinge Material	Pin Material	Opening Angle	Working Load (Kg)	
DHIF-3780	Polyamide	SS-304	180°	Ax.:	Ra.:



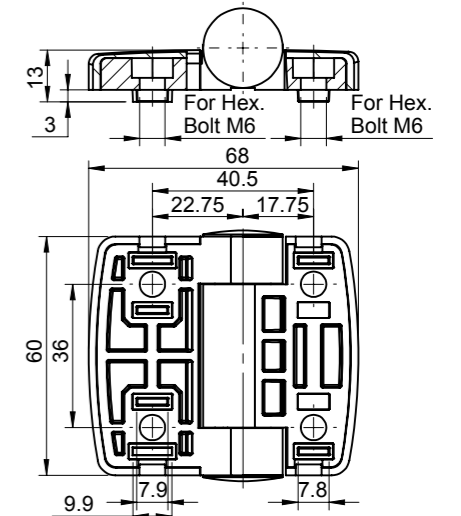
Product Code	Hinge Material	Pin Material	Opening Angle	Working Load (Kg)	
DHIF-5588	Polyamide	SS-304	180°	Ax.:	Ra.:

Hinges

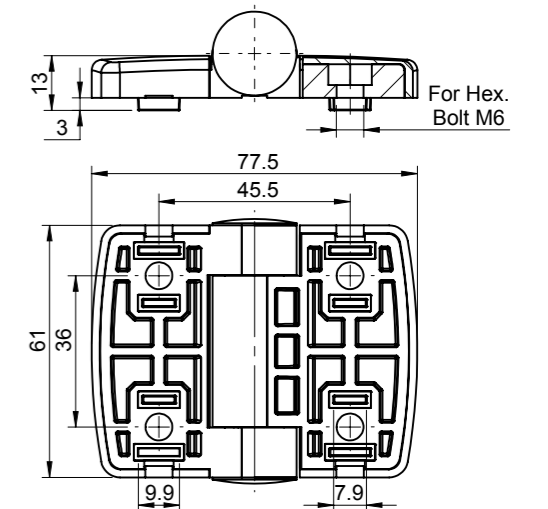
Flat Hinge : Polyamide



Product Code	Hinge Material	Pin Material	Opening Angle	Working Load (Kg)	
DHIF-6058	Polyamide	Polyamide	180°	Ax.: 10	Ra.: 29



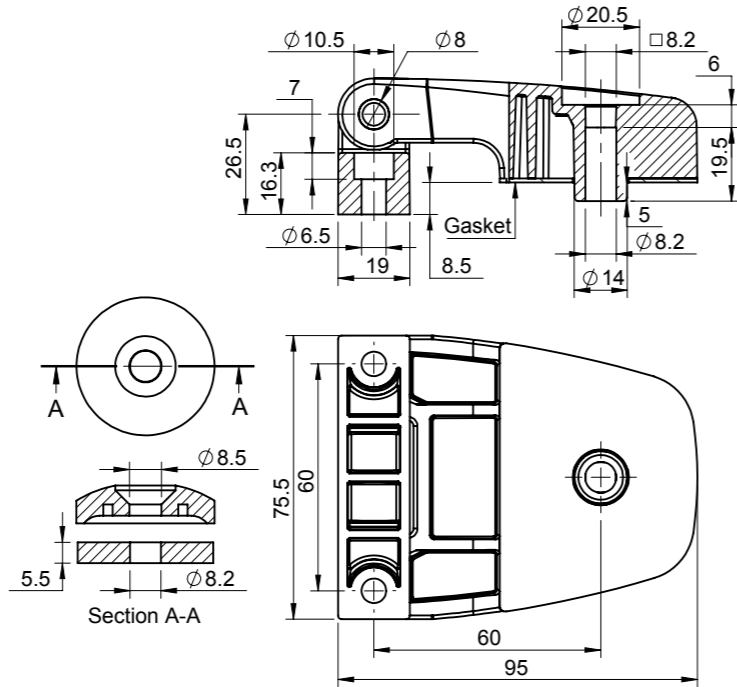
Product Code	Hinge Material	Pin Material	Opening Angle	Working Load (Kg)	
DHIF-6068	Polyamide	Polyamide	180°	Ax.: 15	Ra.: 25



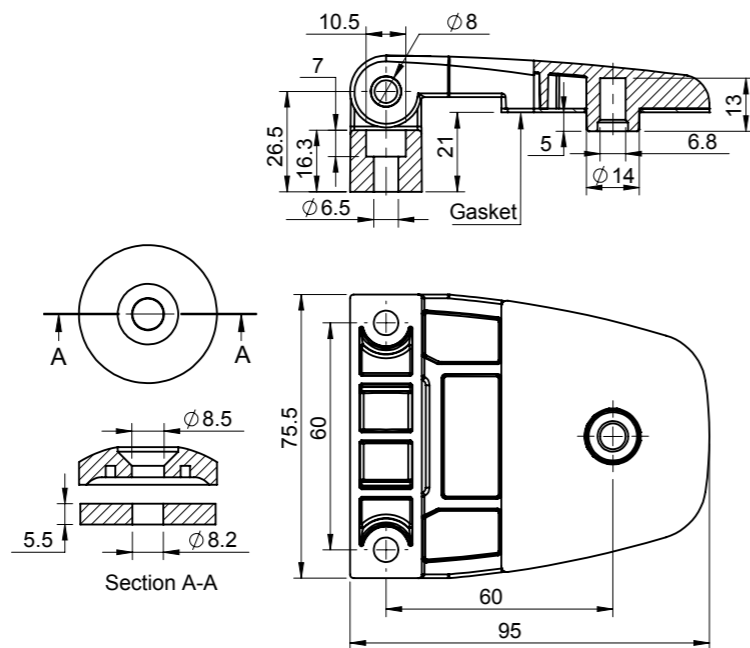
Product Code	Hinge Material	Pin Material	Opening Angle	Working Load (Kg)	
DHIF-6177	Polyamide	Polyamide	180°	Ax.: 15	Ra.: 31

Hinges

Flat Hinge : Polyamide



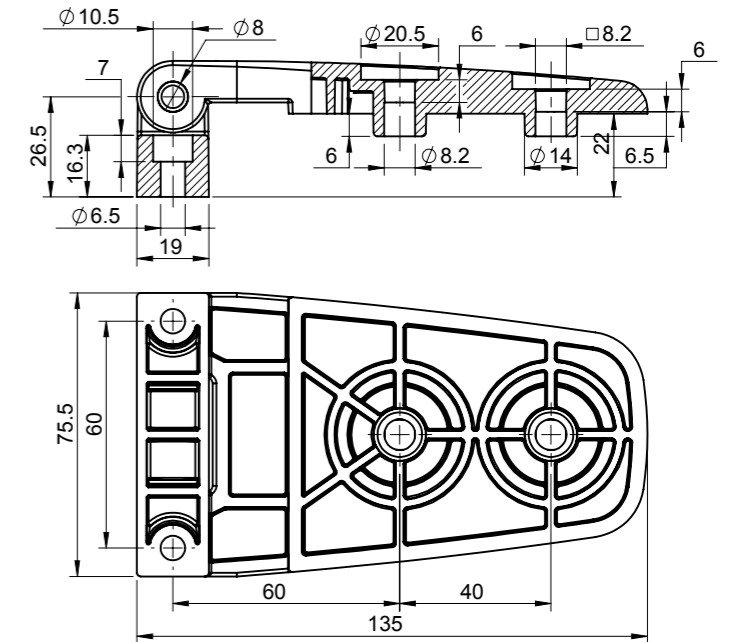
Product Code	Hinge Material	Pin Material	Opening Angle	Working Load (Kg)	
				Ax.:	Ra.:
DHIF-7595	Polyamide	MS	180°		



Product Code	Hinge Material	Pin Material	Opening Angle	Working Load (Kg)	
				Ax.:	Ra.:
DHIF-7595-2	Polyamide	MS	180°		

Hinges

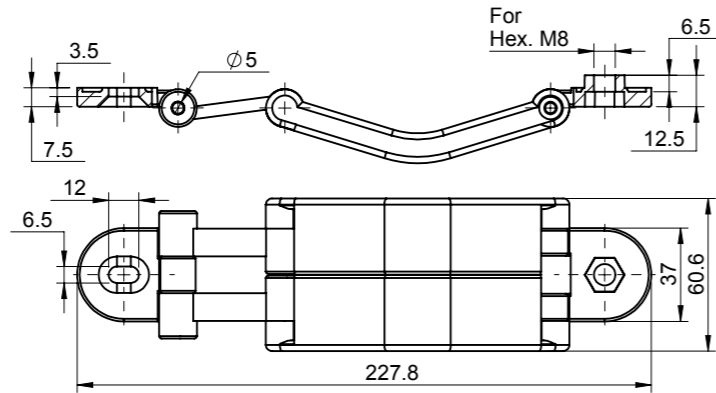
Flat Hinge : Polyamide



Product Code	Hinge Material	Pin Material	Opening Angle	Working Load (Kg)	
				Ax.:	Ra.:
DHIF-75135	Polyamide	MS	180°		

Hinges

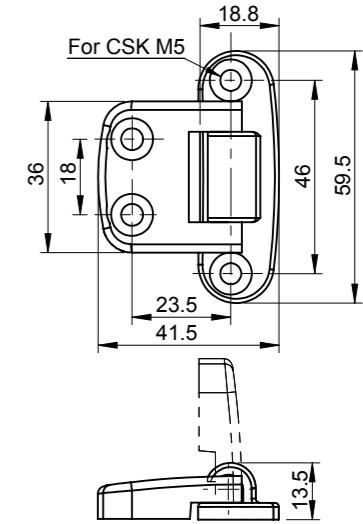
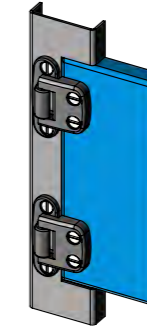
Multi-Pivot Hinge : Polyamide



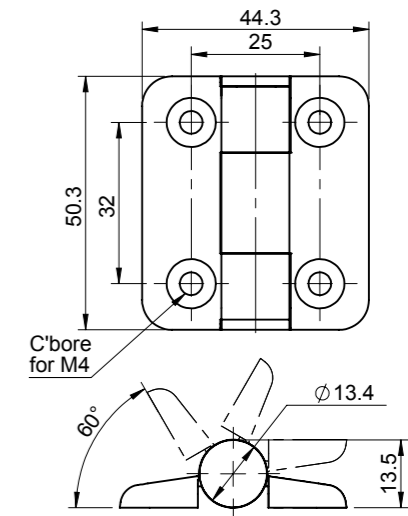
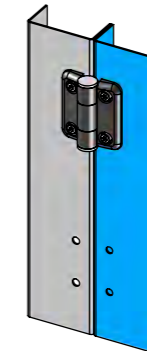
Product Code	Hinge Material	Pin Material	Opening Angle	Working Load (Kg)	
DHIF-60228	Polyamide	SS-304	180°	Ax.:	Ra.:

Hinges

Light Duty Stay Hinge : Polyamide



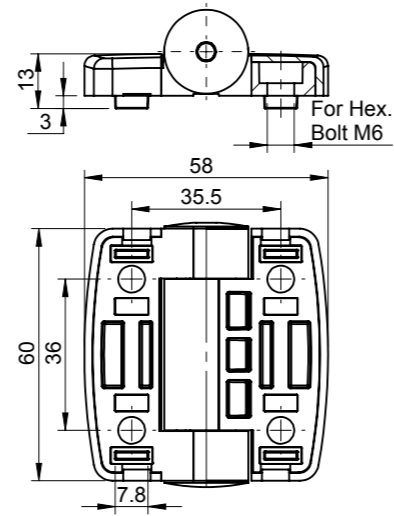
Product Code	Hinge Material	Pin Material	Opening Angle	Working Load (Kg)	
DHSP-36	Polyamide	Polyamide	180°	Ax.:	Ra.:



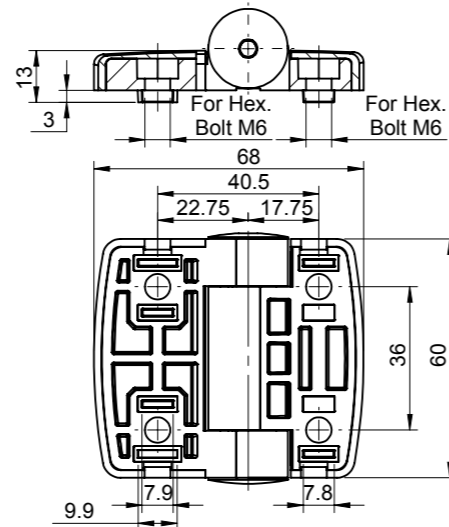
Product Code	Hinge Material	Pin Material	Opening Angle	Working Load (Kg)	
DHSP-5045	Polyamide	Polyamide	180°	Ax.: 08	Ra.: 10

Hinges

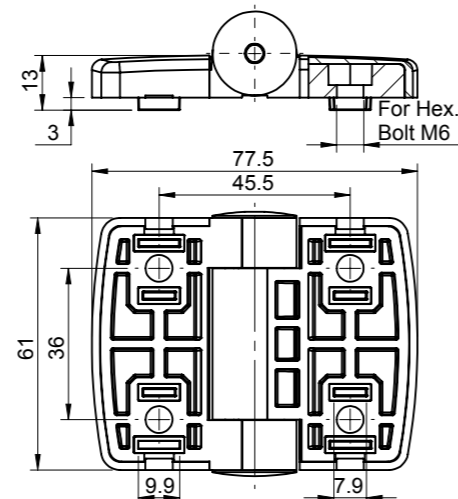
Friction Hinge : Polyamide



Product Code	Hinge Material	Pin Material	Opening Angle	Working Load (Kg)	
DHSP-6058	Polyamide	Polyamide	180°	Ax.: 10	Ra.: 29



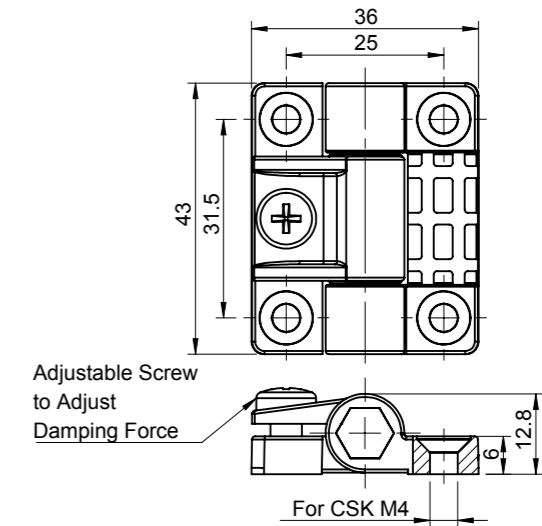
Product Code	Hinge Material	Pin Material	Opening Angle	Working Load (Kg)	
DHSP-6068	Polyamide	Polyamide	180°	Ax.: 15	Ra.: 30



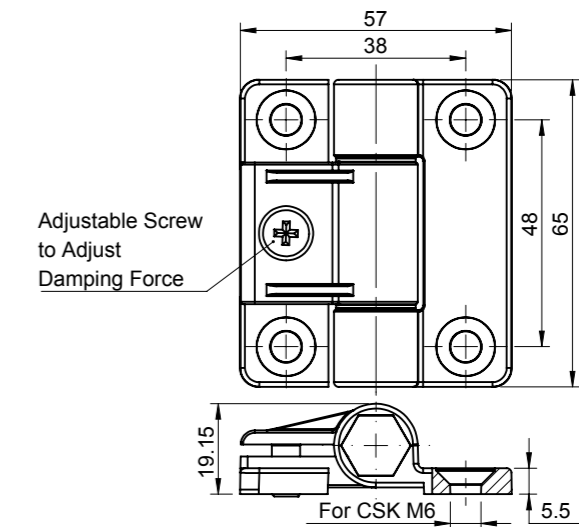
Product Code	Hinge Material	Pin Material	Opening Angle	Working Load (Kg)	
DHSP-6177	Polyamide	Polyamide	180°	Ax.: 15	Ra.: 26

Hinges

Friction Hinge : Polyamide



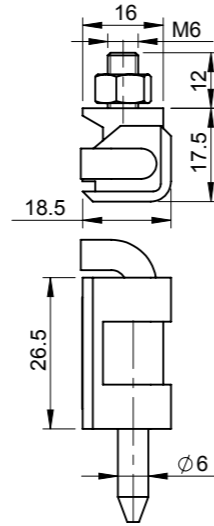
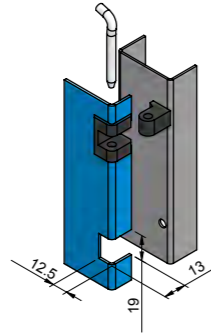
Product Code	Hinge Material	Pin Material	Opening Angle	Working Load (Kg)	
DHSP-4336	Polyamide	Polyamide	180°	Ax.: 09	Ra.: 15



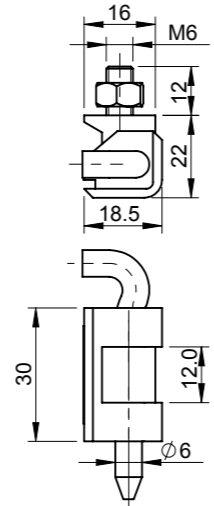
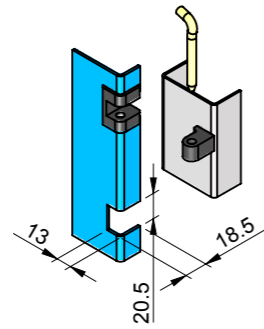
Product Code	Hinge Material	Pin Material	Opening Angle	Working Load (Kg)	
DHSP-6557	Polyamide	Polyamide	180°	Ax.: 14	Ra.: 36

Hinges

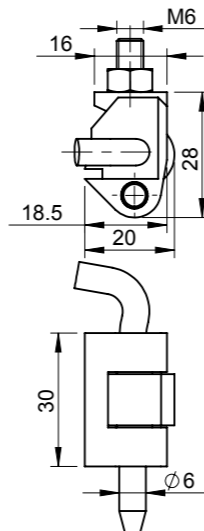
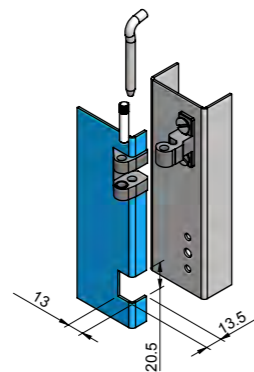
Exposed Hinge : Polyamide



Product Code	Hinge Material	Pin Material	Pin Finish	Opening Angle	Sheet Thk.	Working Load (Kg)	
DHI-2620	Polyamide	MS	Yellow Zinc	180°	1.5 to 1.9	Ax.:	Ra.:



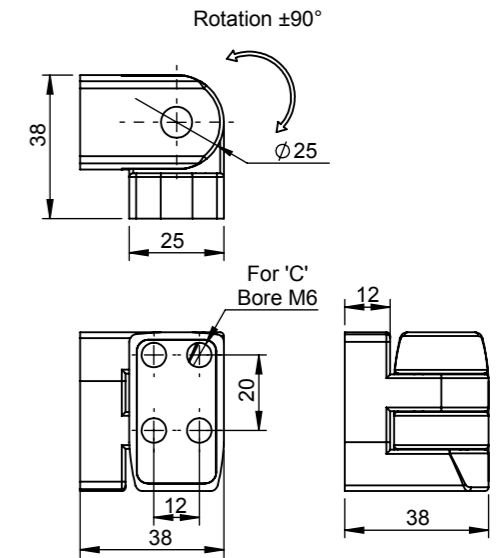
Product Code	Hinge Material	Pin Material	Pin Finish	Opening Angle	Sheet Thk.	Working Load (Kg)	
DHI-3020	Polyamide	MS	Yellow Zinc	180°	1.5 to 1.9	Ax.:	Ra.:



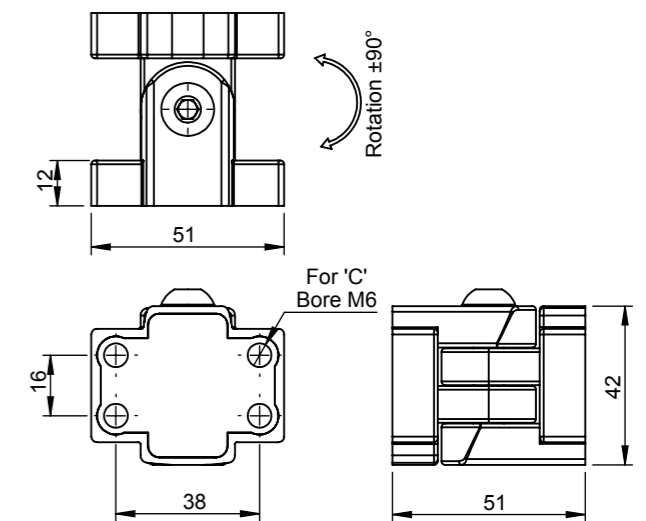
Product Code	Hinge Material	Pin Material	Pin Finish	Opening Angle	Sheet Thk.	Working Load (Kg)	
DHIP-3020	Polyamide	MS	Yellow Zinc	180°	1.5 to 1.9	Ax.:	Ra.:

Hinges

Exposed Hinge : Polyamide



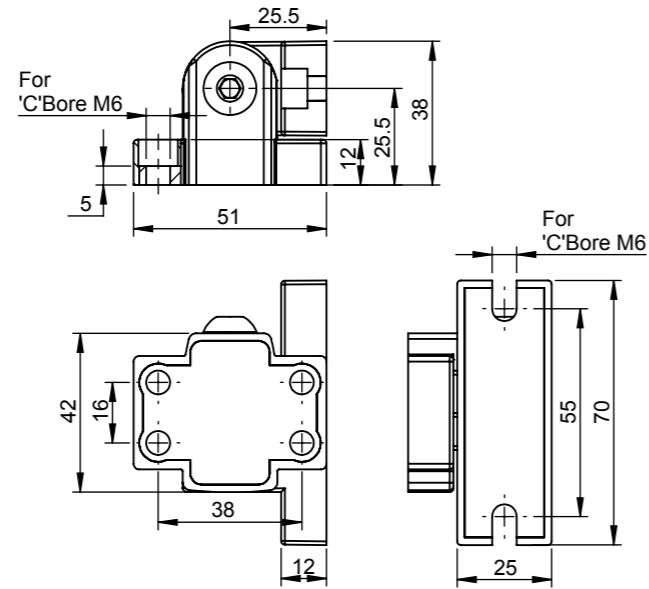
Product Code	Hinge Material	Opening Angle	Working Load (Kg)	
DHIZF-1220	Polyamide Reinforced Zinc Insert	180°	Ax.:	Ra.:



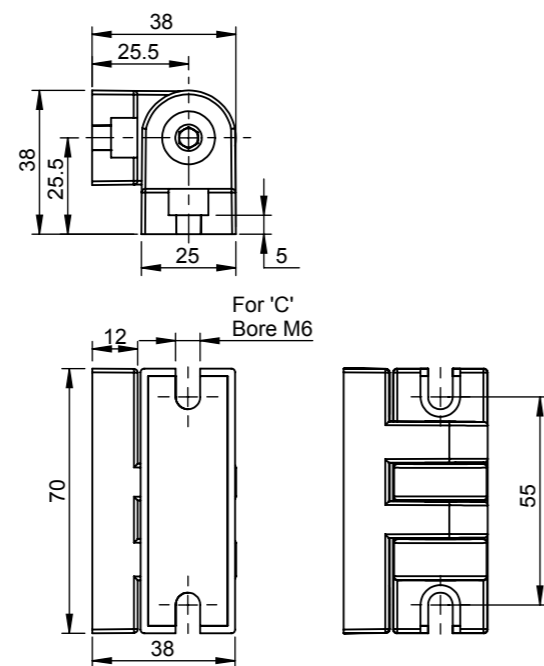
Product Code	Hinge Material	Opening Angle	Working Load (Kg)	
DHIZF-1638	Polyamide Reinforced Zinc Insert	180°	Ax.:	Ra.:

Hinges

Exposed Hinge : Polyamide



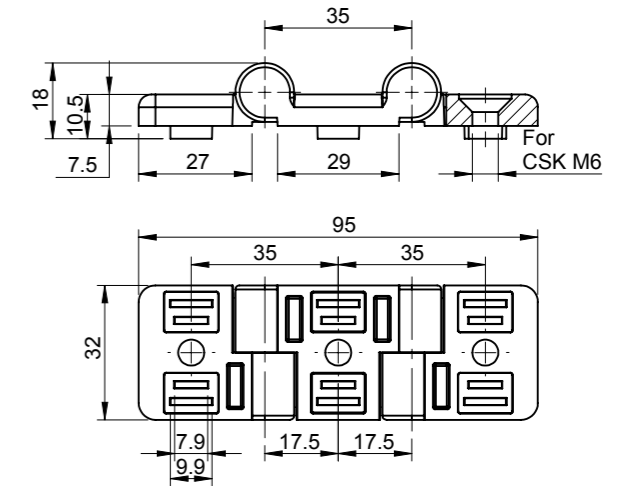
Product Code	Hinge Material	Opening Angle	Working Load (Kg)	
DHIZF-1655	Polyamide Reinforced Zinc Insert	180°	Ax.:	Ra.:



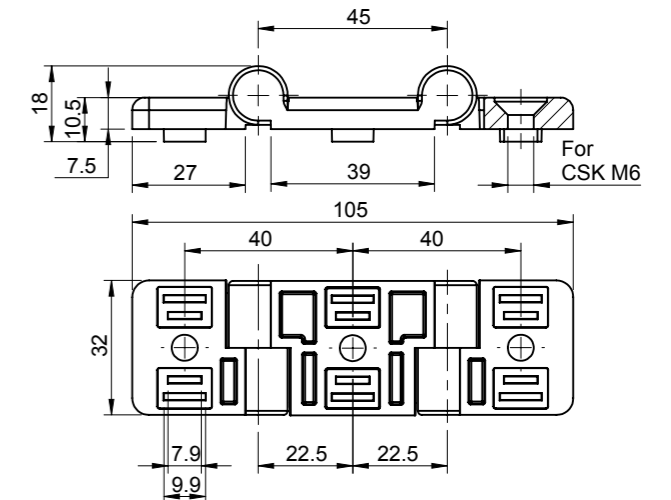
Product Code	Hinge Material	Opening Angle	Working Load (Kg)	
DHIZF-55	Polyamide Reinforced Zinc Insert	180°	Ax.:	Ra.:

Hinges

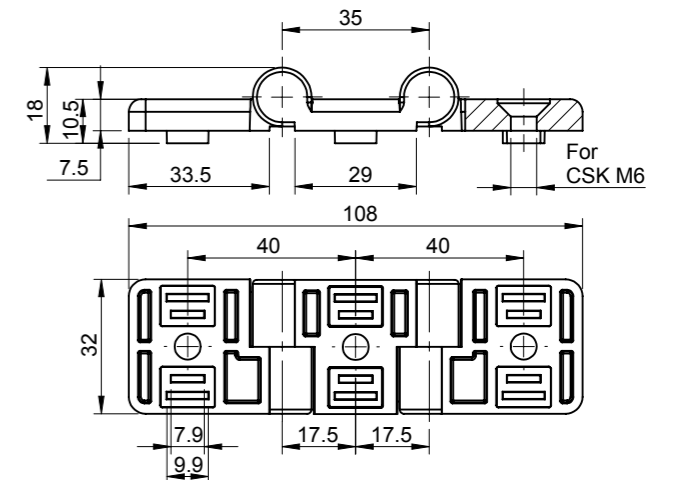
Lift off Hinge : Polyamide



Product Code	Hinge Material	Pin Material	Opening Angle	Working Load (Kg)	
DLOH-3295	Polyamide	SS-304	180°	Ax.:	Ra.:



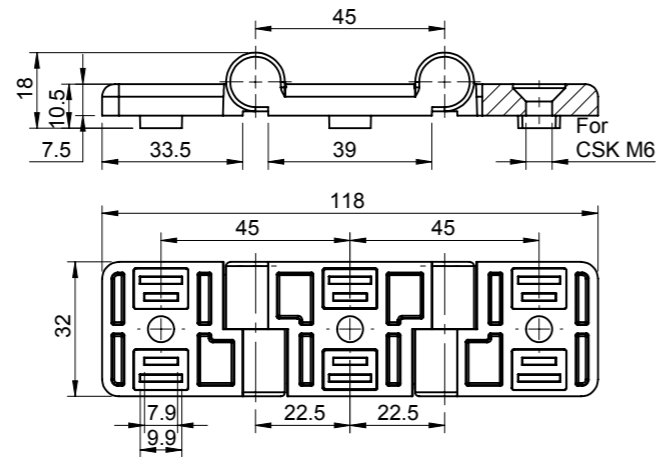
Product Code	Hinge Material	Pin Material	Opening Angle	Working Load (Kg)	
DLOH-32105	Polyamide	SS-304	180°	Ax.:	Ra.:



Product Code	Hinge Material	Pin Material	Opening Angle	Working Load (Kg)	
DLOH-32108	Polyamide	SS-304	180°	-	Ra.:

Hinges

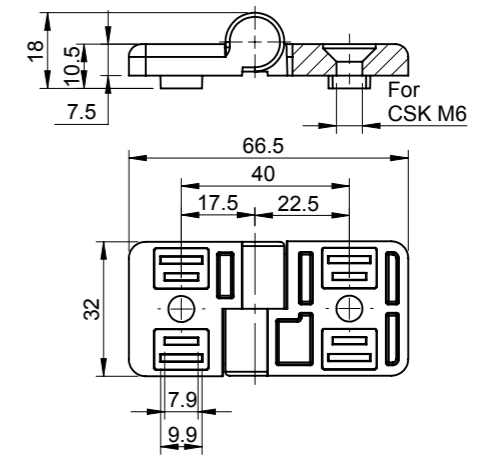
Lift off Hinge : Polyamide



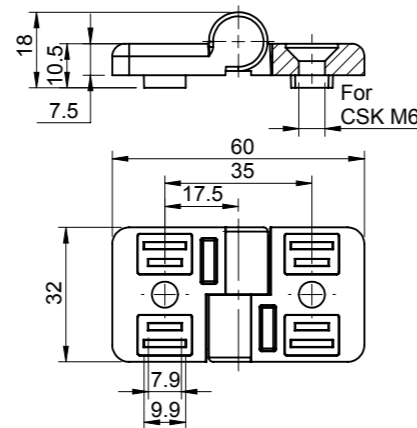
Product Code	Hinge Material	Pin Material	Opening Angle	Working Load (Kg)	
DLOH-32118	Polyamide	SS-304	180°	Ax.:	Ra.:

Hinges

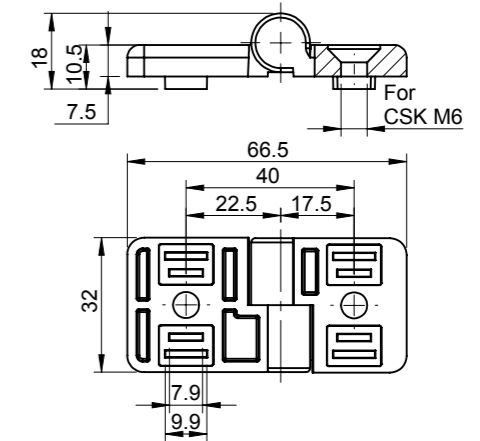
Lift off Hinge : Polyamide



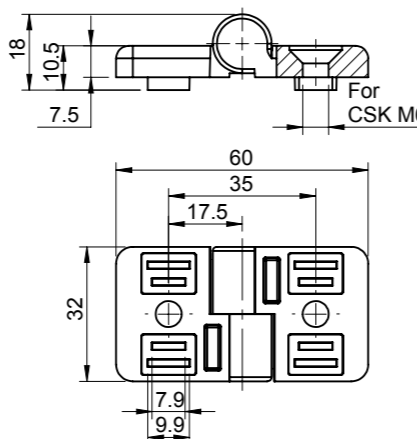
Product Code	Hinge Material	Pin Material	Opening Angle	Working Load (Kg)	
DLOH-3266-L	Polyamide	SS-304	180°	Ax.:	Ra.: 13



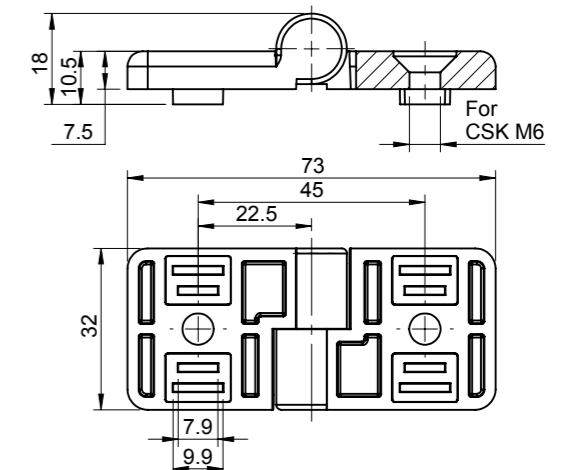
Product Code	Hinge Material	Pin Material	Opening Angle	Working Load (Kg)	
DLOH-3260-L	Polyamide	SS-304	180°	Ax.:	Ra.: 12



Product Code	Hinge Material	Pin Material	Opening Angle	Working Load (Kg)	
DLOH-3266-R	Polyamide	SS-304	180°	Ax.:	Ra.: 14



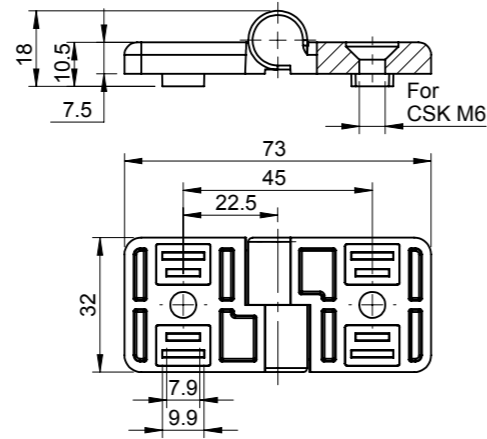
Product Code	Hinge Material	Pin Material	Opening Angle	Working Load (Kg)	
DLOH-3260-R	Polyamide	SS-304	180°	Ax.:	Ra.: 11



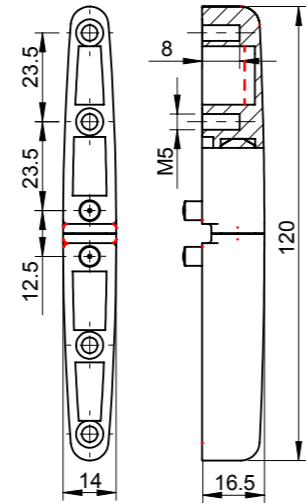
Product Code	Hinge Material	Pin Material	Opening Angle	Working Load (Kg)	
DLOH-3273-L	Polyamide	SS-304	180°	Ax.:	Ra.: 12

Hinges

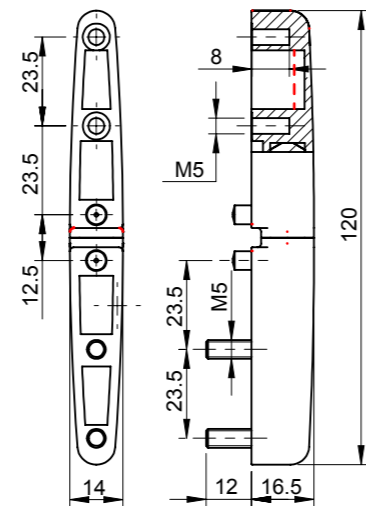
Lift off Hinge : Polyamide



Product Code	Hinge Material	Pin Material	Opening Angle	Working Load (Kg)	
DLOH-3273-R	Polyamide	SS-304	180°	Ax.:	Ra.: 11



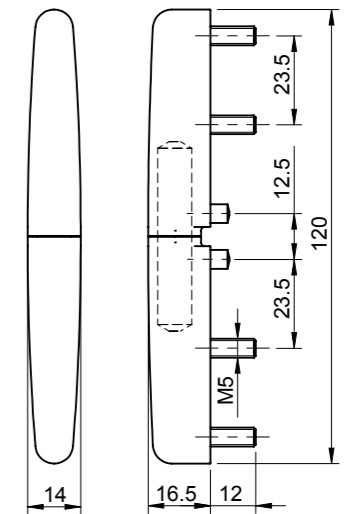
Product Code	Hinge Material	Pin Material	Opening Angle	Working Load (Kg)	
DLOHI	Polyamide	MS	180°	Ax.:	Ra.:



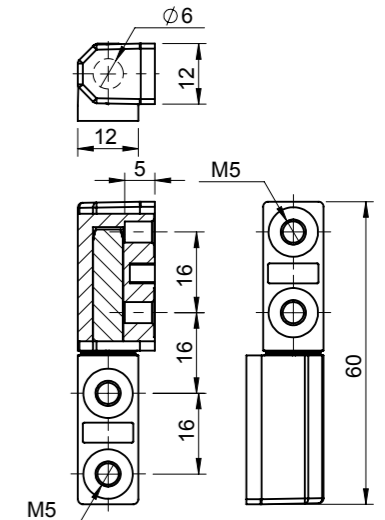
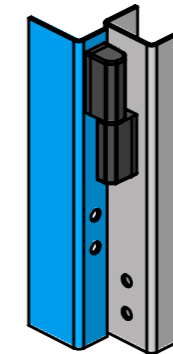
Product Code	Hinge Material	Pin Material	Opening Angle	Working Load (Kg)	
DLOHSI	Polyamide	MS	180°	Ax.:	Ra.:

Hinges

Lift off Hinge : Polyamide



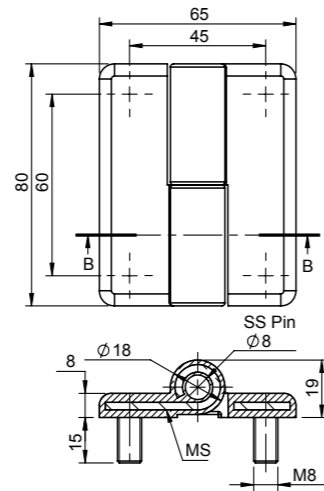
Product Code	Hinge Material	Pin Material	Opening Angle	Working Load (Kg)	
DLOHS	Polyamide	MS	180°	Ax.:	Ra.: 11



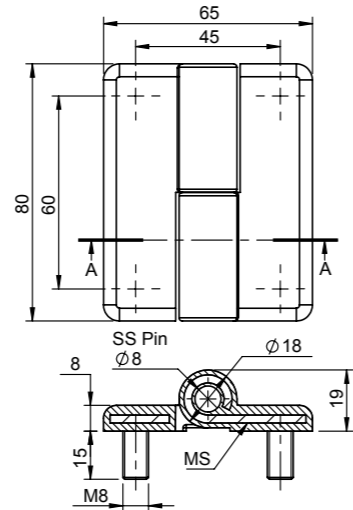
Product Code	Hinge Material	Pin Material	Opening Angle	Working Load (Kg)	
DLOHI-1260	Polyamide	SS-304	180°	Ax.:	Ra.:

Hinges

Lift off Hinge : Polyamide



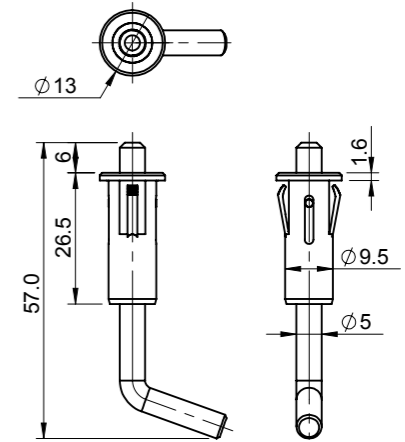
Product Code	Hinge Material	Pin Material	Opening Angle	Working Load (Kg)	
DPHLM-8065-L	Polyamide Reinforced MS Insert	SS	180°	Ax.: 75	Ra.: 40



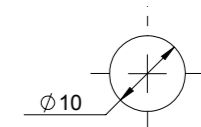
Product Code	Hinge Material	Pin Material	Opening Angle	Working Load (Kg)	
DPHLM-8065-R	Polyamide Reinforced MS Insert	SS	180°	Ax.: 72	Ra.: 42

Hinges

Spring Hinge : Polyamide



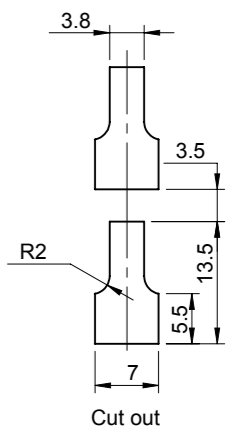
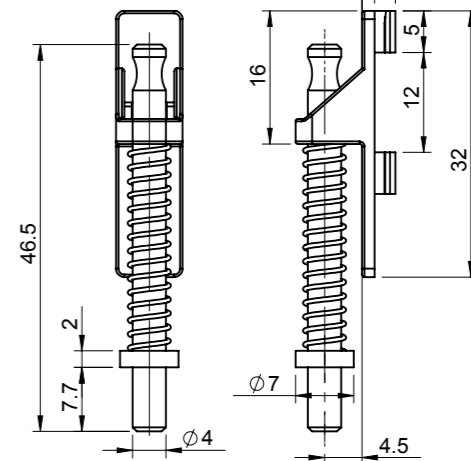
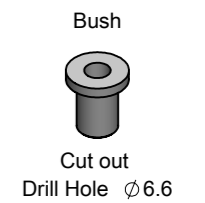
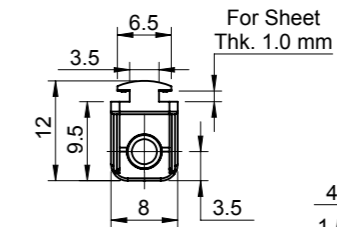
Cut out
Drill Hole Ø 6.6



Cut out
Standard Sheet thk.0.8 to 1.0mm
Available for 2.0mm Sheet thk.

Product Code	Hinge Material	Pin Material	Type	Description	Working Load (Kg)	
DPSHI-5	Polyamide	MS	Clip Fit	With out Bush	Ax.:	Ra.:
DPSHI-5B	Polyamide	MS	Clip Fit	With Bush		

Bush are sold only with Hinges

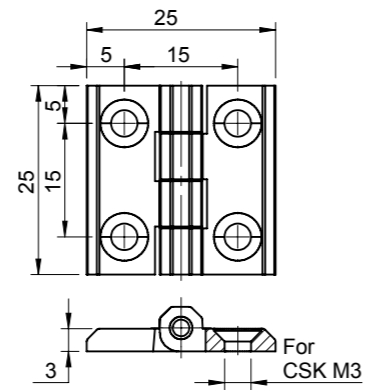


Product Code	Hinge Material	Pin Material	Opening Angle	Description	Working Load (Kg)	
DPSHI-11	Polyamide	Polyamide	Clip Fit	With Bush	Ax.:	Ra.:

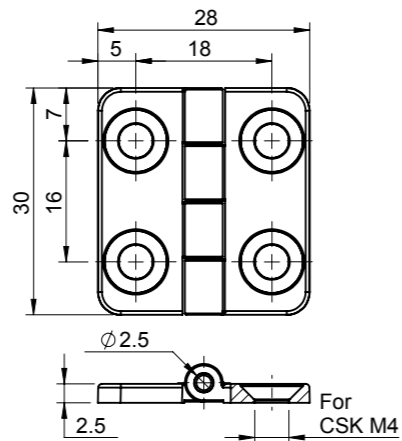
Bush are sold only with Hinges

Hinges

Flat Hinge : Zinc Die Cast



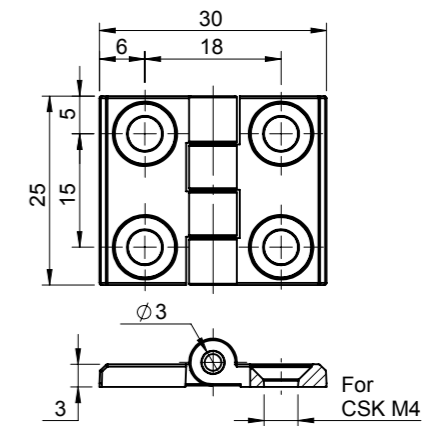
Product Code	Hinge Material	Pin Material	Finish	Opening Angle	IP Mount (Optional)	Working Load (Kg)	
DHFM-25	Zinc	SS-304	Black PC	180°	CD-15-M3	Ax.: 14	Ra.: 17



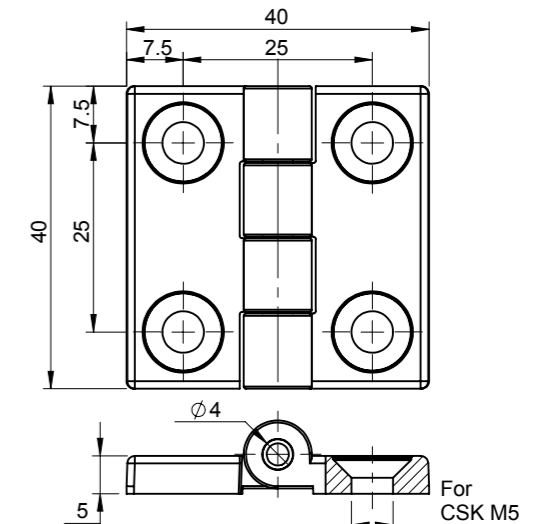
Product Code	Hinge Material	Pin Material	Finish	Opening Angle	Working Load (Kg)	
DHFM-2830	Zinc	SS-304	Black PC	180°	Ax.: 22	Ra.: 16

Hinges

Flat Hinge : Zinc Die Cast



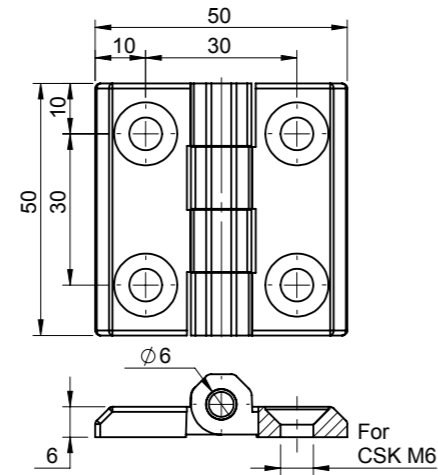
Product Code	Hinge Material	Pin Material	Finish	Opening Angle	IP Mount (Optional)	Working Load (Kg)	
DHFM-30	Zinc	SS-304	Black PC	180°	CD-15-M4	Ax.: 19	Ra.: 28



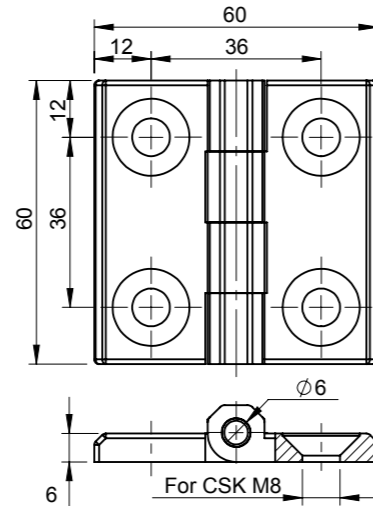
Product Code	Hinge Material	Pin Material	Finish	Opening Angle	IP Mount (Optional)	Working Load (Kg)	
DHFM-40	Zinc	SS-304	Black PC	180°	CD-25-M5	Ax.:	Ra.:

Hinges

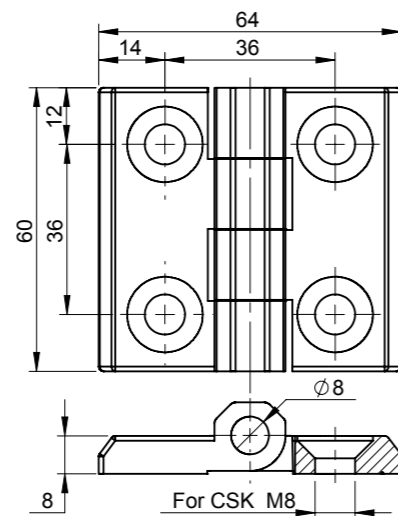
Flat Hinge : Zinc Die Cast



Product Code	Hinge Material	Pin Material	Finish	Opening Angle	Working Load (Kg)	
DHFM-50	Zinc	SS-304	Black PC	180°	Ax.: 31	Ra.: 61



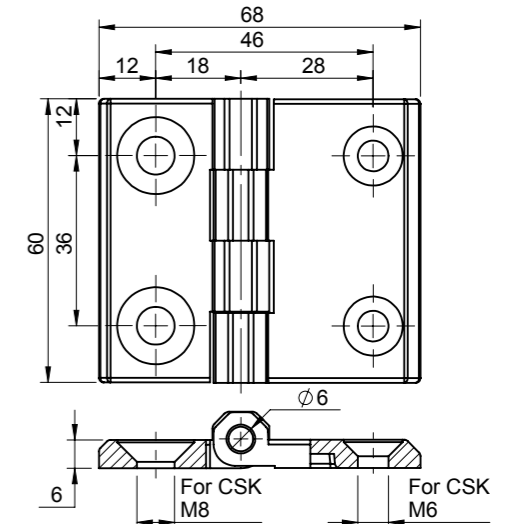
Product Code	Hinge Material	Pin Material	Finish	Opening Angle	Working Load (Kg)	
DHFM-60	Zinc	SS-304	Black PC	180°	Ax.: 80	Ra.: 75



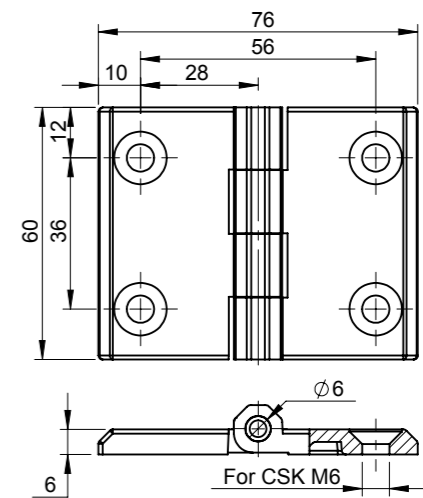
Product Code	Hinge Material	Pin Material	Finish	Opening Angle	Working Load (Kg)	
DHFM-60-8	Zinc	SS-304	Black PC	180°	Ax.: 74	Ra.: 84

Hinges

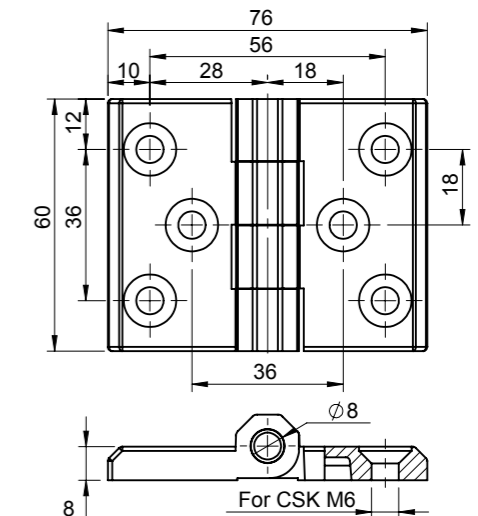
Flat Hinge : Zinc Die Cast



Product Code	Hinge Material	Pin Material	Finish	Opening Angle	Working Load (Kg)	
DHFM-68	Zinc	SS-304	Black PC	180°	Ax.: 65	Ra.: 72



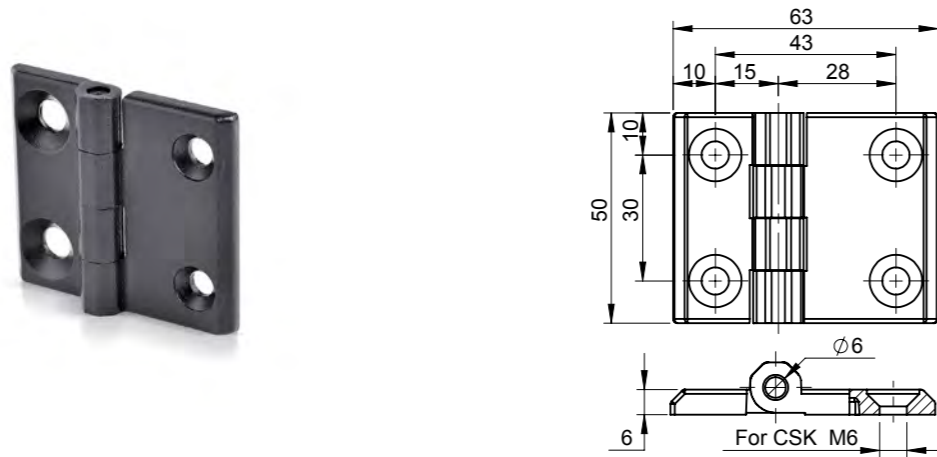
Product Code	Hinge Material	Pin Material	Finish	Opening Angle	Working Load (Kg)	
DHFM-76	Zinc	SS-304	Black PC	180°	Ax.: 73	Ra.: 71



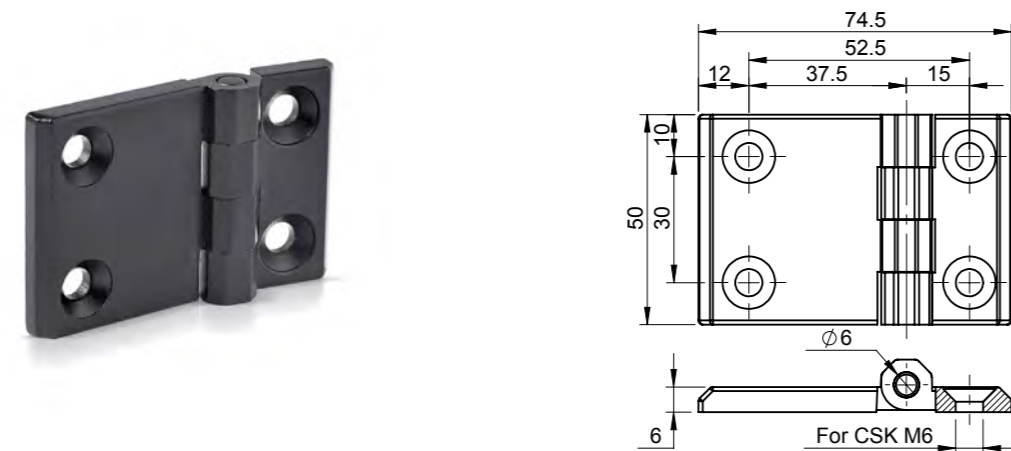
Product Code	Hinge Material	Pin Material	Finish	Opening Angle	Working Load (Kg)	
DHFM-76-8-3H	Zinc	SS-304	Black PC	180°	Ax.:	Ra.:

Hinges

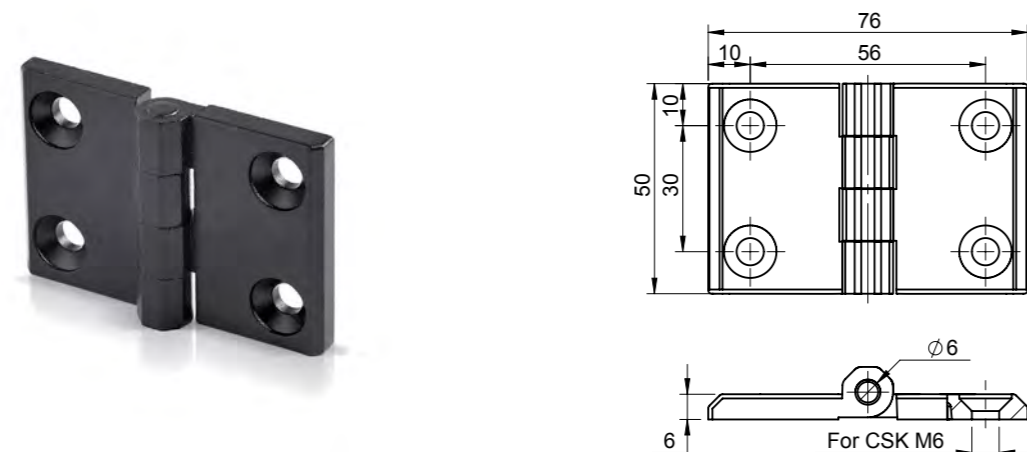
Flat Hinge : Zinc Die Cast



Product Code	Hinge Material	Pin Material	Finish	Opening Angle	Working Load (Kg)	
DHFM-5063	Zinc	SS-304	Black PC	180°	Ax.: 51	Ra.: 62



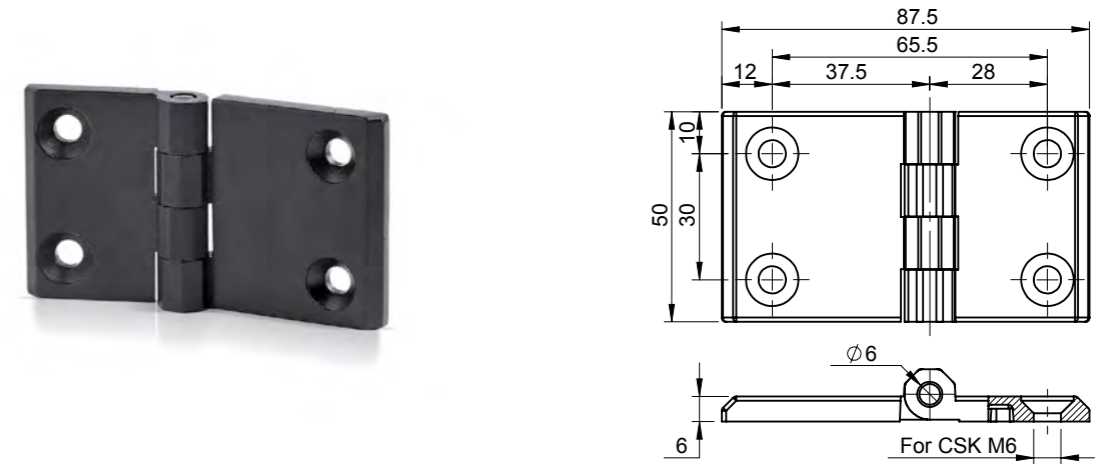
Product Code	Hinge Material	Pin Material	Finish	Opening Angle	Working Load (Kg)	
DHFM-5074	Zinc	SS-304	Black PC	180°	Ax.:	Ra.:



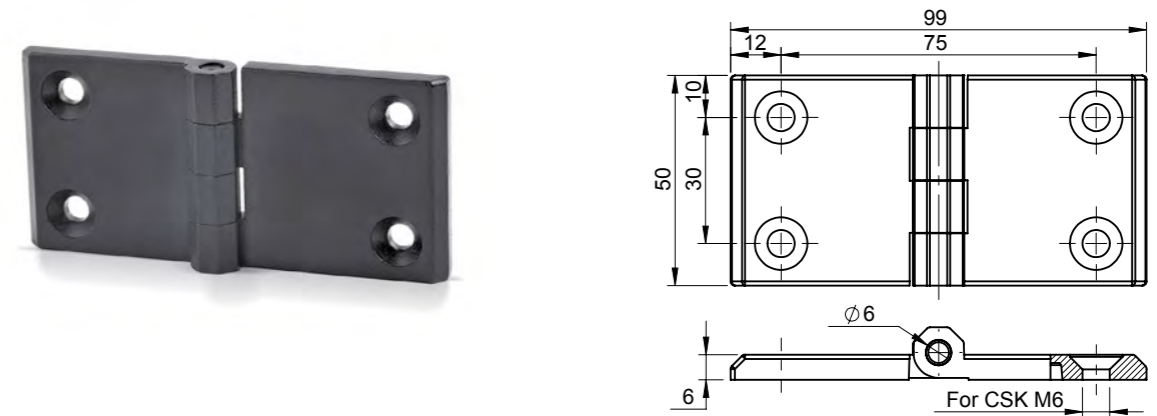
Product Code	Hinge Material	Pin Material	Finish	Opening Angle	Working Load (Kg)	
DHFM-5076	Zinc	SS-304	Black PC	180°	Ax.: 50	Ra.: 63

Hinges

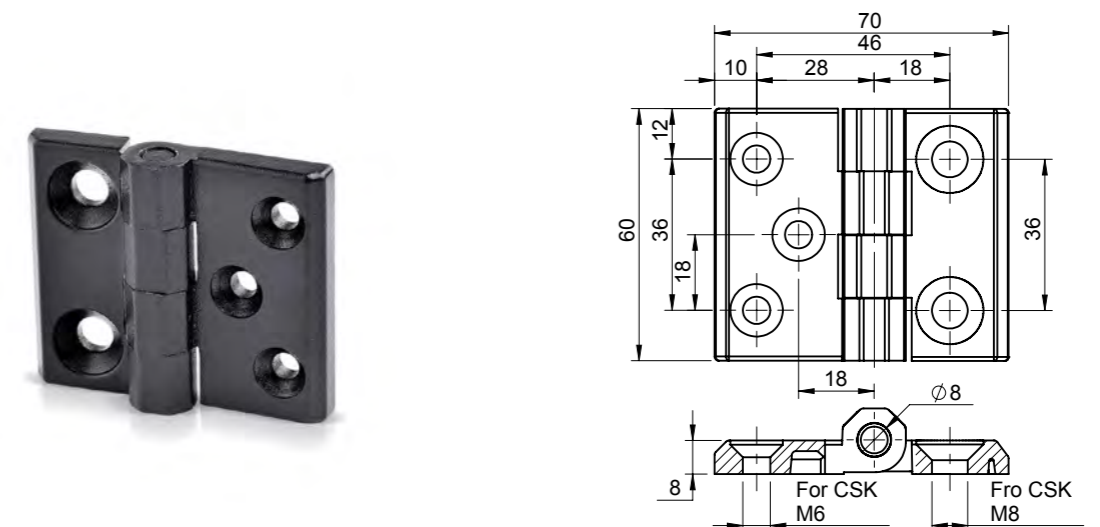
Flat Hinge : Zinc Die Cast



Product Code	Hinge Material	Pin Material	Finish	Opening Angle	Working Load (Kg)	
DHFM-5087	Zinc	SS-304	Black PC	180°	Ax.:	Ra.:



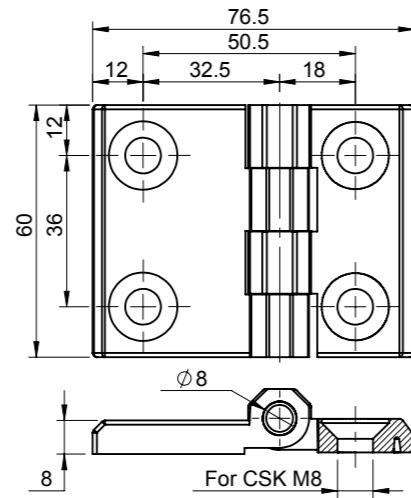
Product Code	Hinge Material	Pin Material	Finish	Opening Angle	Working Load (Kg)	
DHFM-5099	Zinc	SS-304	Black PC	180°	Ax.:	Ra.:



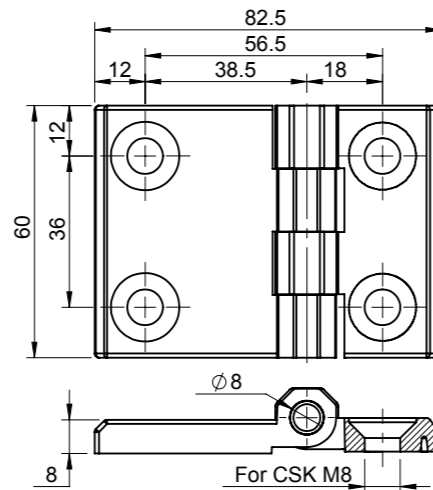
Product Code	Hinge Material	Pin Material	Finish	Opening Angle	Working Load (Kg)	
DHFM-6070	Zinc	SS-304	Black PC	180°	Ax.:	Ra.:

Hinges

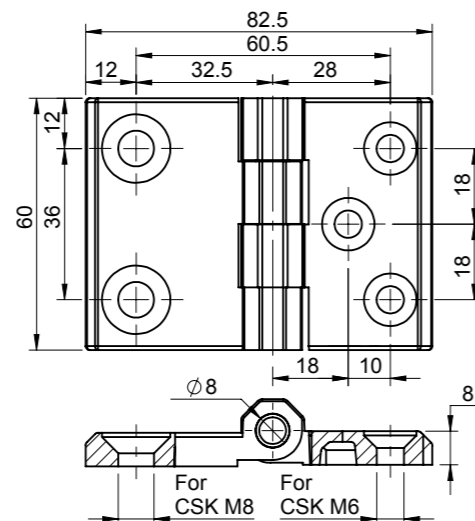
Flat Hinge : Zinc Die Cast



Product Code	Hinge Material	Pin Material	Finish	Opening Angle	Working Load (Kg)	
DHFM-6076-8	Zinc	SS-304	Black PC	180°	Ax.:	Ra.:



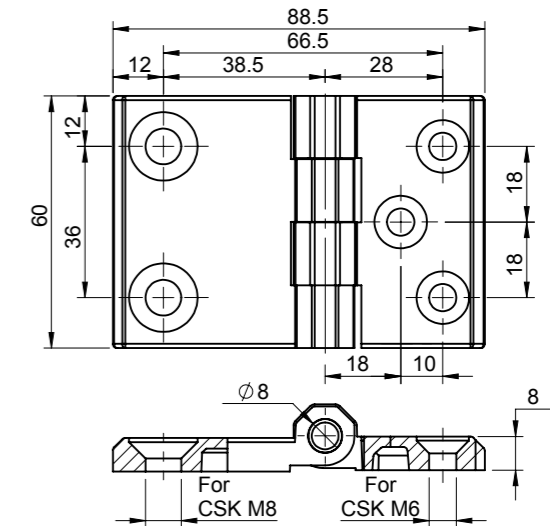
Product Code	Hinge Material	Pin Material	Finish	Opening Angle	Working Load (Kg)	
DHFM-6082-8	Zinc	SS-304	Black PC	180°	Ax.:	Ra.:



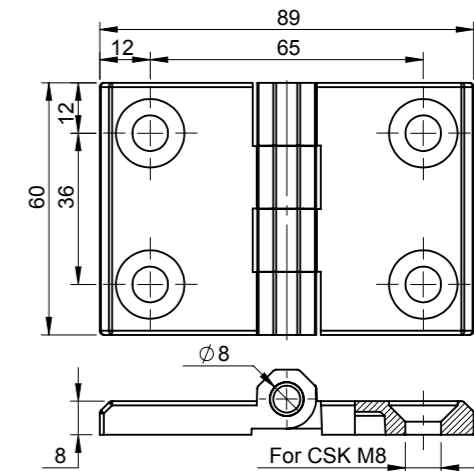
Product Code	Hinge Material	Pin Material	Finish	Opening Angle	Working Load (Kg)	
DHFM-6082-8-3H	Zinc	SS-304	Black PC	180°	Ax.:	Ra.:

Hinges

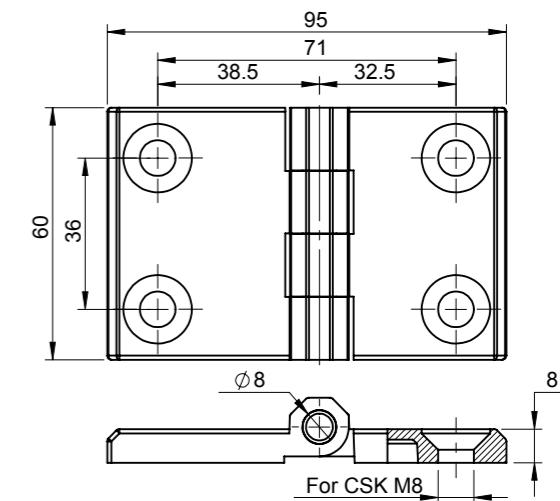
Flat Hinge : Zinc Die Cast



Product Code	Hinge Material	Pin Material	Finish	Opening Angle	Working Load (Kg)	
DHFM-6088-8-3H	Zinc	SS-304	Black PC	180°	Ax.:	Ra.:



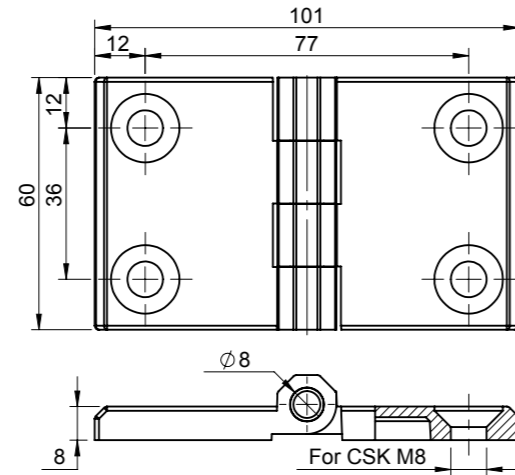
Product Code	Hinge Material	Pin Material	Finish	Opening Angle	Working Load (Kg)	
DHFM-6089	Zinc	SS-304	Black PC	180°	Ax.:	Ra.:



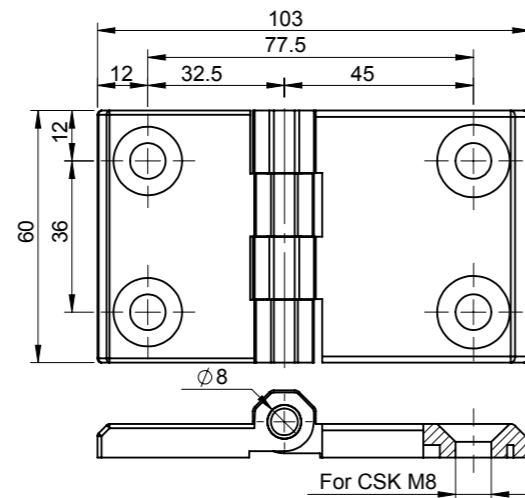
Product Code	Hinge Material	Pin Material	Finish	Opening Angle	Working Load (Kg)	
DHFM-6095	Zinc	SS-304	Black PC	180°	Ax.:	Ra.:

Hinges

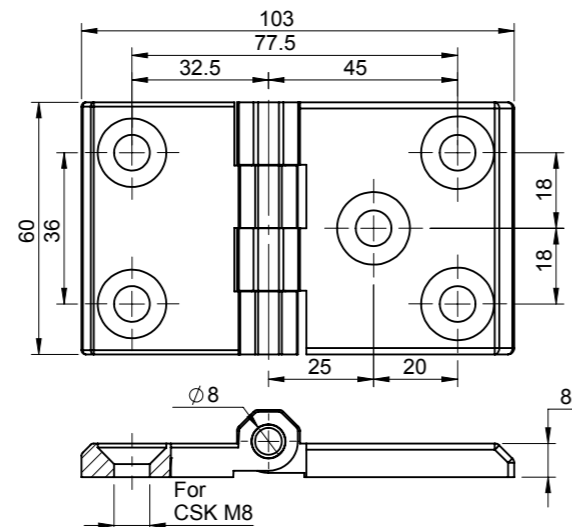
Flat Hinge : Zinc Die Cast



Product Code	Hinge Material	Pin Material	Finish	Opening Angle	Working Load (Kg)	
DHFM-60101	Zinc	SS-304	Black PC	180°	Ax.:	Ra.:



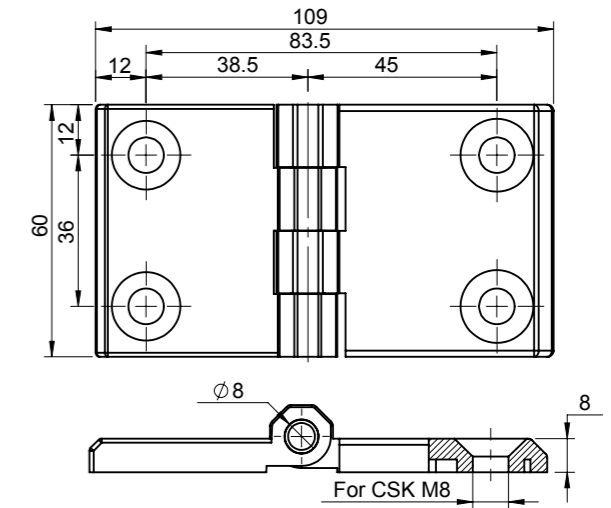
Product Code	Hinge Material	Pin Material	Finish	Opening Angle	Working Load (Kg)	
DHFM-60103	Zinc	SS-304	Black PC	180°	Ax.:	Ra.:



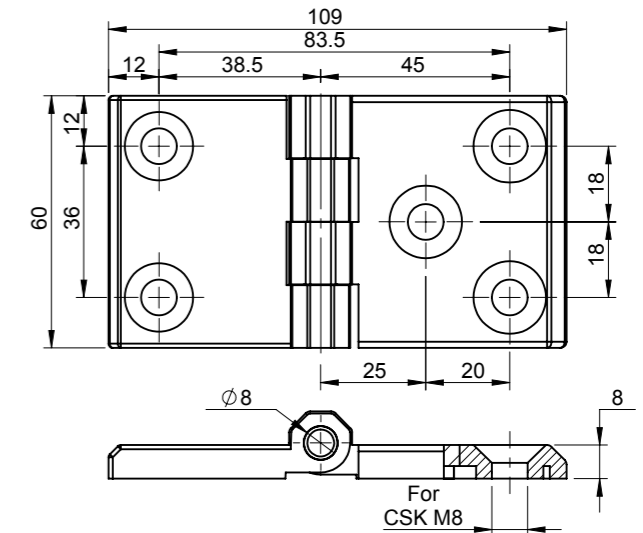
Product Code	Hinge Material	Pin Material	Finish	Opening Angle	Working Load (Kg)	
DHFM-60103-3H	Zinc	SS-304	Black PC	180°	Ax.:	Ra.:

Hinges

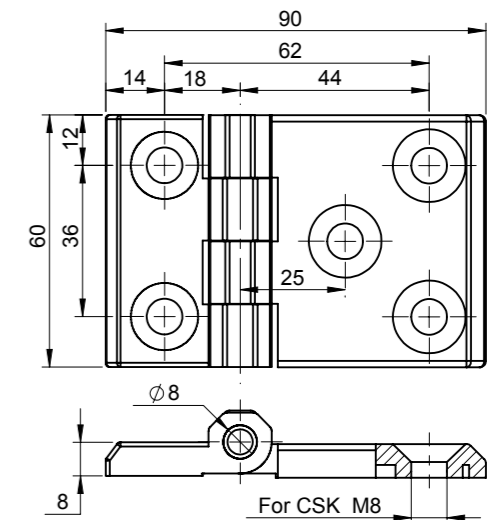
Flat Hinge : Zinc Die Cast



Product Code	Hinge Material	Pin Material	Finish	Opening Angle	Working Load (Kg)	
DHFM-60109	Zinc	SS-304	Black PC	180°	Ax.:	Ra.:



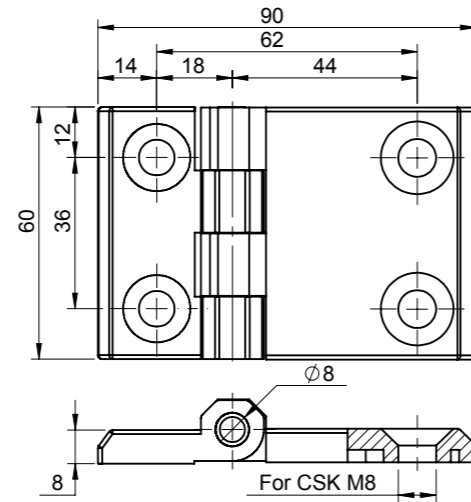
Product Code	Hinge Material	Pin Material	Finish	Opening Angle	Working Load (Kg)	
DHFM-60109-3H	Zinc	SS-304	Black PC	180°	Ax.:	Ra.:



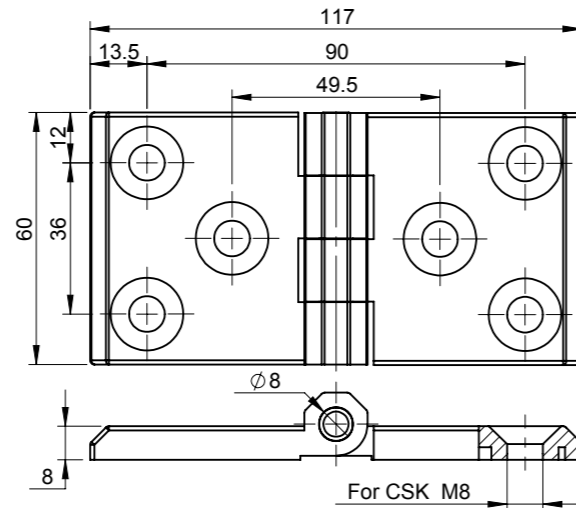
Product Code	Hinge Material	Pin Material	Finish	Opening Angle	Working Load (Kg)	
DHFM-6090	Zinc	SS-304	Black PC	180°	Ax.:	Ra.:

Hinges

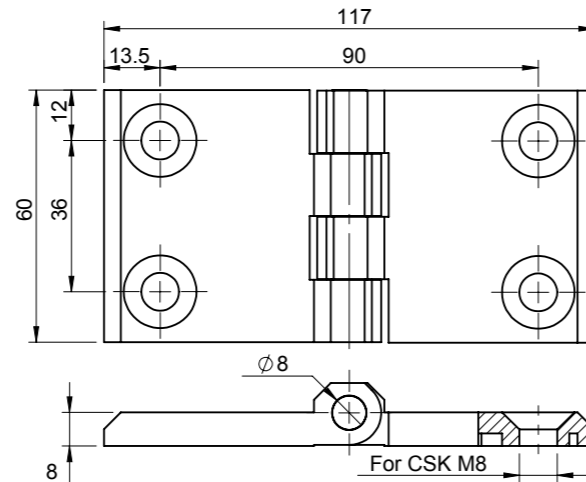
Flat Hinge : Zinc Die Cast



Product Code	Hinge Material	Pin Material	Finish	Opening Angle	Working Load (Kg)	
DHFM-6090-2H	Zinc	SS-304	Black PC	180°	Ax.:	Ra.:



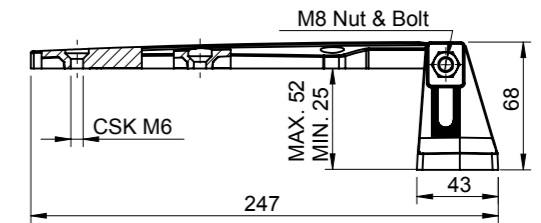
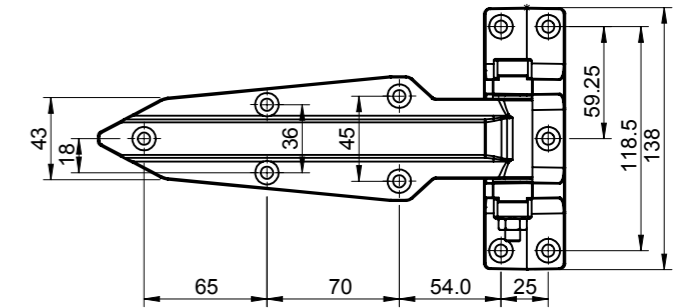
Product Code	Hinge Material	Pin Material	Finish	Opening Angle	Working Load (Kg)	
DHFM-60117	Zinc	SS-304	Black PC	180°	Ax.: 80	Ra.: 90



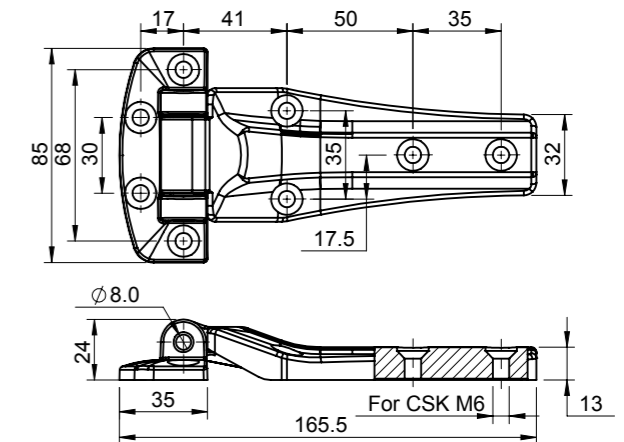
Product Code	Hinge Material	Pin Material	Finish	Opening Angle	Working Load (Kg)	
DHFM-60117-2H	Zinc	SS-304	Black PC	180°	Ax.: 53	Ra.: 84

Hinges

Flat Hinge : Zinc Die Cast



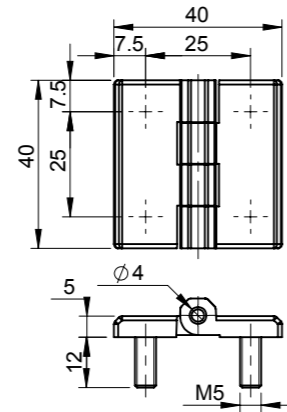
Product Code	Hinge Material	Finish	Opening Angle	Working Load (Kg)	
DHIZ-138247	Zinc	STPC	180°	Ax.: 81	Ra.: 101



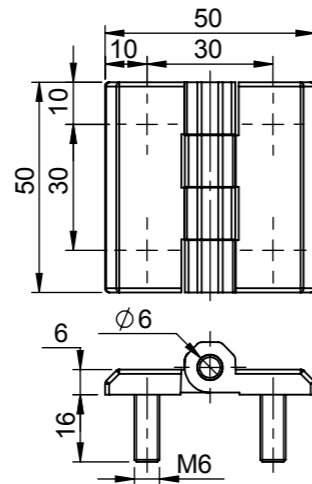
Product Code	Hinge Material	Pin Material	Finish	Opening Angle	Working Load (Kg)	
DHIZ-85165	Zinc	SS-304	CH	180°	Ax.: 67	Ra.: 144
DHIZ-85165-PC	Zinc	SS-304	Black PC	180°	Ax.: 67	Ra.: 144
DHIZ-85165-SPC	Zinc	SS-304	SPC	180°	Ax.: 67	Ra.: 144

Hinges

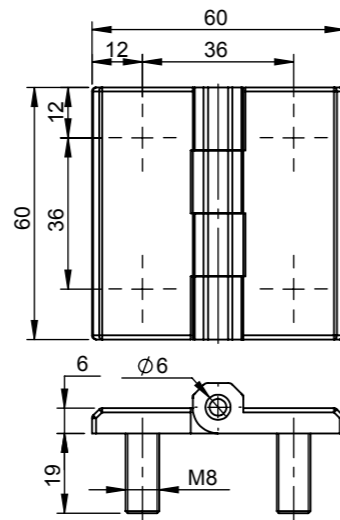
Flat Hinge : Zinc Die Cast



Product Code	Hinge Material	Pin Material	Finish	Opening Angle	Working Load (Kg)	
DHFM-40S	Zinc	SS-304	Black PC	180°	Ax.: 31	Ra.: 44



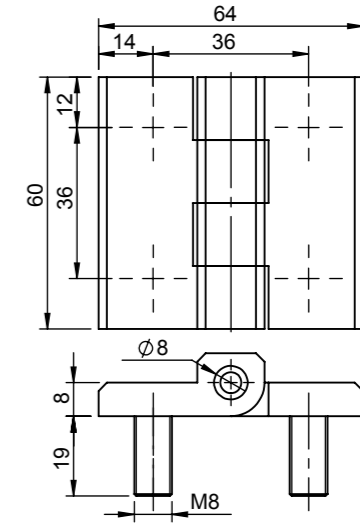
Product Code	Hinge Material	Pin Material	Finish	Opening Angle	Working Load (Kg)	
DHFM-50S	Zinc	SS-304	Black PC	180°	Ax.: 36	Ra.: 67



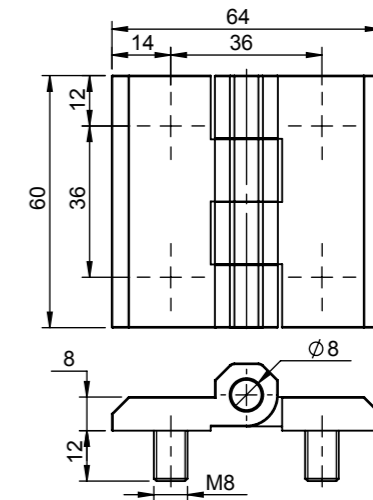
Product Code	Hinge Material	Pin Material	Finish	Opening Angle	Working Load (Kg)	
DHFM-60-6-S8	Zinc	SS-304	Black PC	180°	Ax.: 74	Ra.: 80

Hinges

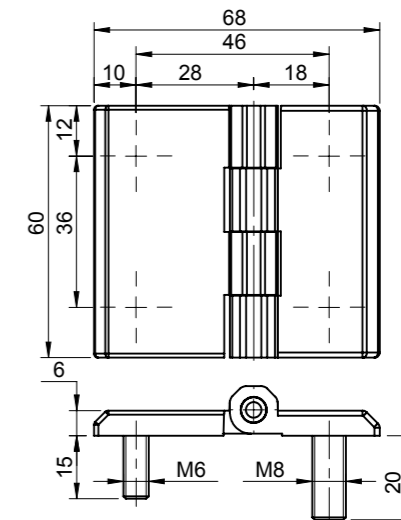
Flat Hinge : Zinc Die Cast



Product Code	Hinge Material	Pin Material	Finish	Opening Angle	Working Load (Kg)	
DHFM-60-8-S8	Zinc	SS-304	Black PC	180°	Ax.: 71	Ra.: 86



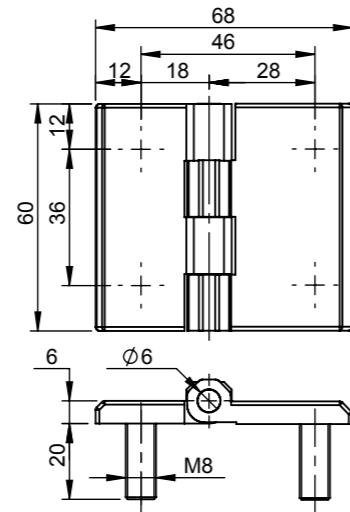
Product Code	Hinge Material	Pin Material	Finish	Opening Angle	Working Load (Kg)	
DHFM-60-8-S8-12	Zinc	SS-304	Black PC	180°	Ax.: 71	Ra.: 86



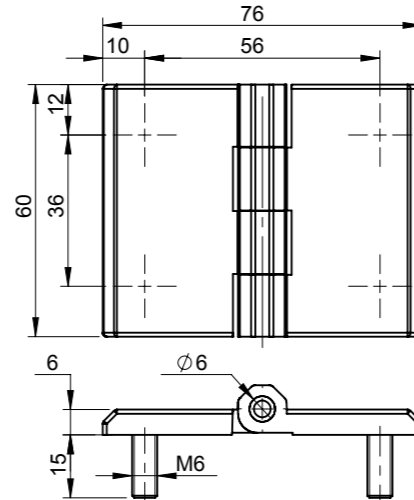
Product Code	Hinge Material	Pin Material	Finish	Opening Angle	Working Load (Kg)	
DHFM-68S	Zinc	SS-304	Black PC	180°	Ax.: 70	Ra.: 81

Hinges

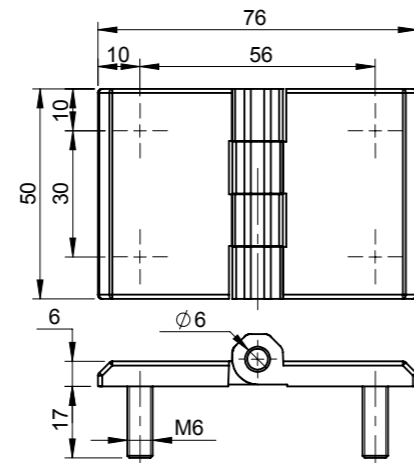
Flat Hinge : Zinc Die Cast



Product Code	Hinge Material	Pin Material	Finish	Opening Angle	Working Load (Kg)	
DHFM-68-S8	Zinc	SS-304	Black PC	180°	Ax.: 80	Ra.: 82



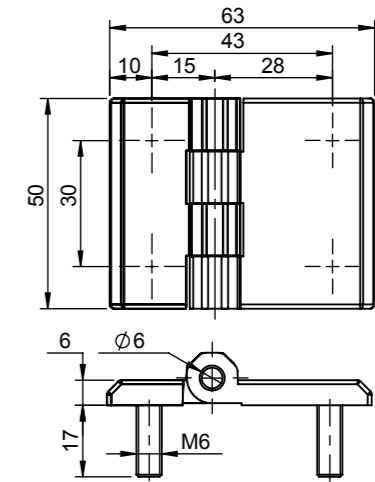
Product Code	Hinge Material	Pin Material	Finish	Opening Angle	Working Load (Kg)	
DHFM-76S	Zinc	SS-304	Black PC	180°	Ax.: 40	Ra.: 60



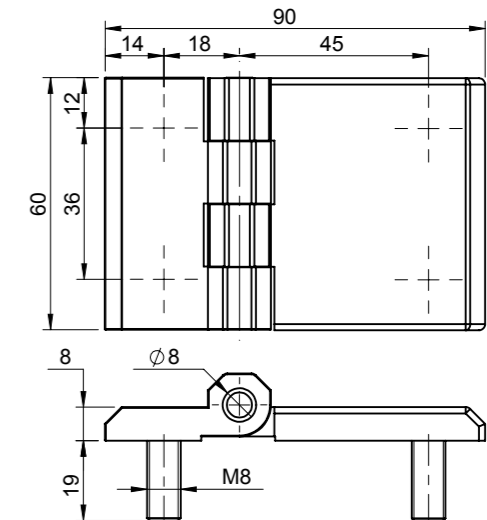
Product Code	Hinge Material	Pin Material	Finish	Opening Angle	Working Load (Kg)	
DHFM-5076S	Zinc	SS-304	Black PC	180°	Ax.: 52	Ra.: 76

Hinges

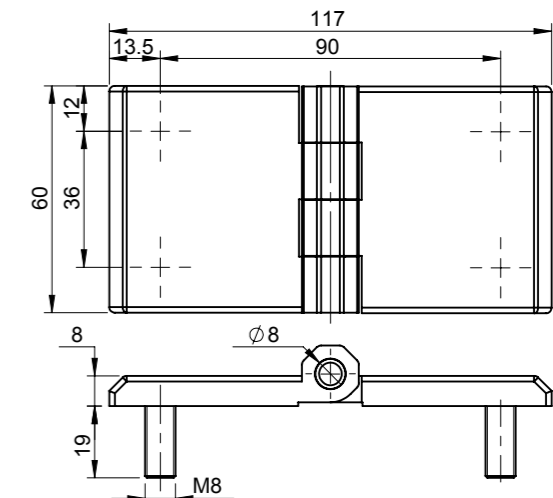
Flat Hinge : Zinc Die Cast



Product Code	Hinge Material	Pin Material	Finish	Opening Angle	Working Load (Kg)	
DHFM-5063S	Zinc	SS-304	Black PC	180°	Ax.: 51	Ra.: 60



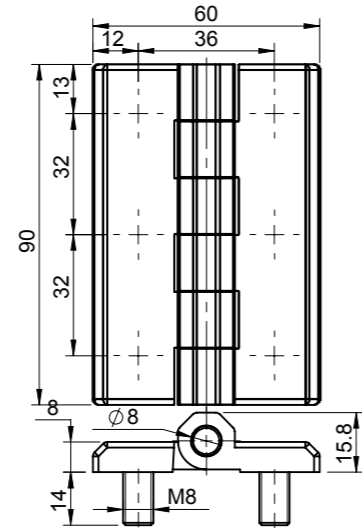
Product Code	Hinge Material	Pin Material	Finish	Opening Angle	Working Load (Kg)	
DHFM-6090-S	Zinc	SS-304	Black PC	180°	Ax.: 60	Ra.: 81



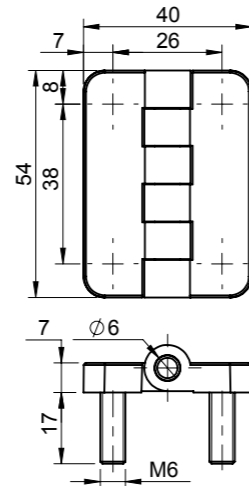
Product Code	Hinge Material	Pin Material	Finish	Opening Angle	Working Load (Kg)	
DHFM-60117-S	Zinc	SS-304	Black PC	180°	Ax.: 57	Ra.: 102

Hinges

Flat Hinge : Zinc Die Cast



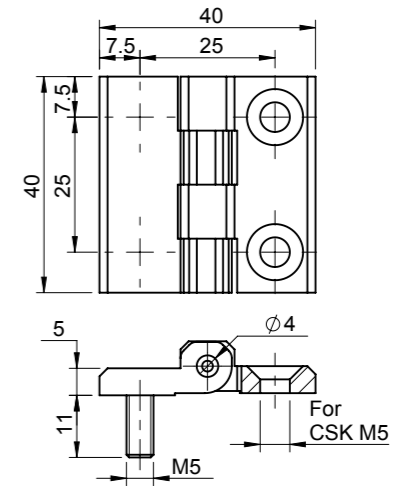
Product Code	Hinge Material	Pin Material	Finish	Opening Angle	Working Load (Kg)	
DHFM-9060-S	Zinc	SS-304	Black PC	180°	Ax.: 190	Ra.: 176



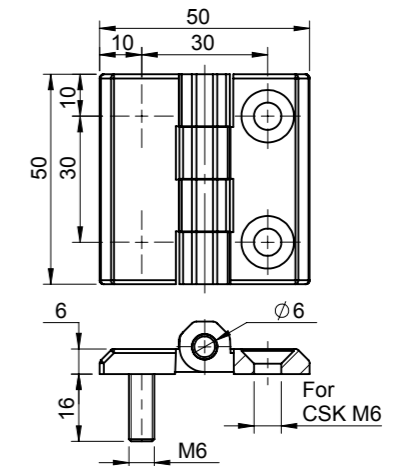
Product Code	Hinge Material	Pin Material	Finish	Opening Angle	Working Load (Kg)	
DHFM-5440-S-PC	Zinc	SS-304	Black PC	180°	Ax.:	Ra.:
DHFM-5440-S-SPC	Zinc	SS-304	SPC	180°	Ax.:	Ra.:

Hinges

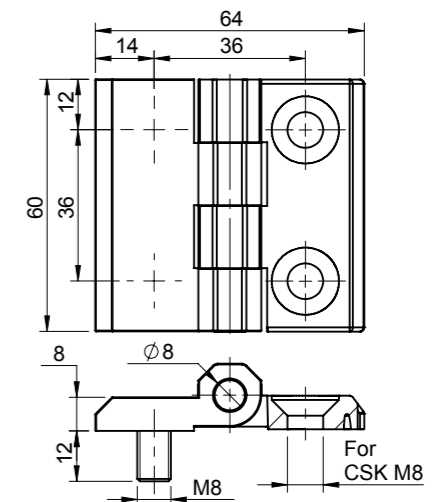
Flat Hinge : Zinc Die Cast



Product Code	Hinge Material	Pin Material	Finish	Opening Angle	Working Load (Kg)	
DHFM-40-SH	Zinc	SS-304	Black PC	180°	Ax.: 42	Ra.: 44



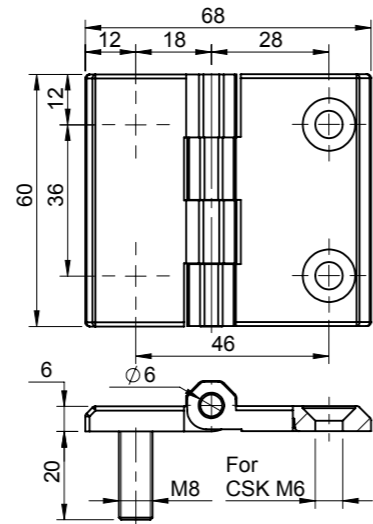
Product Code	Hinge Material	Pin Material	Finish	Opening Angle	Working Load (Kg)	
DHFM-50-SH	Zinc	SS-304	Black PC	180°	Ax.: 35	Ra.: 67



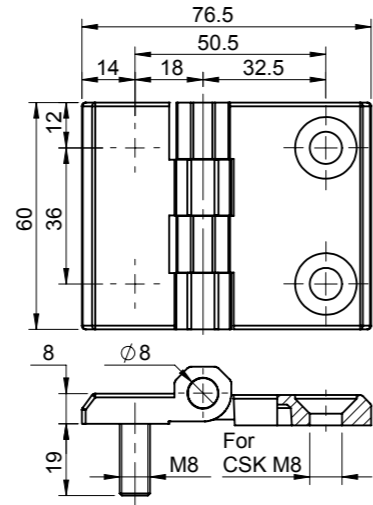
Product Code	Hinge Material	Pin Material	Finish	Opening Angle	Working Load (Kg)	
DHFM-60-8-SH	Zinc	SS-304	Black PC	180°	Ax.: 71	Ra.: 79

Hinges

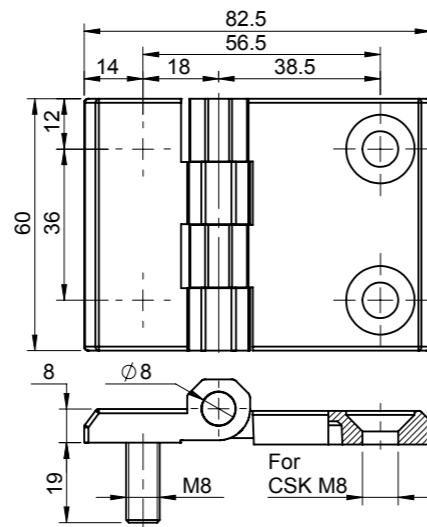
Flat Hinge : Zinc Die Cast



Product Code	Hinge Material	Pin Material	Finish	Opening Angle	Working Load (Kg)	
DHFM-6076-SH	Zinc	SS-304	Black PC	180°	Ax.:	Ra.:



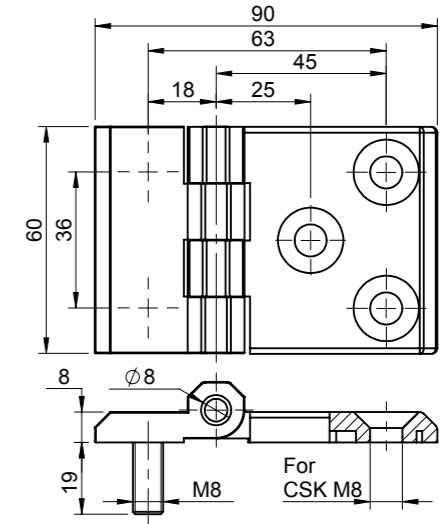
Product Code	Hinge Material	Pin Material	Finish	Opening Angle	Working Load (Kg)	
DHFM-6076-8-SH	Zinc	SS-304	Black PC	180°	Ax.:	Ra.:



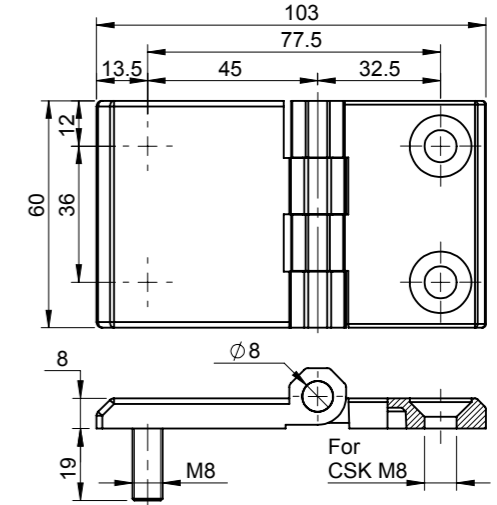
Product Code	Hinge Material	Pin Material	Finish	Opening Angle	Working Load (Kg)	
DHFM-6082-8-SH	Zinc	SS-304	Black PC	180°	Ax.:	Ra.:

Hinges

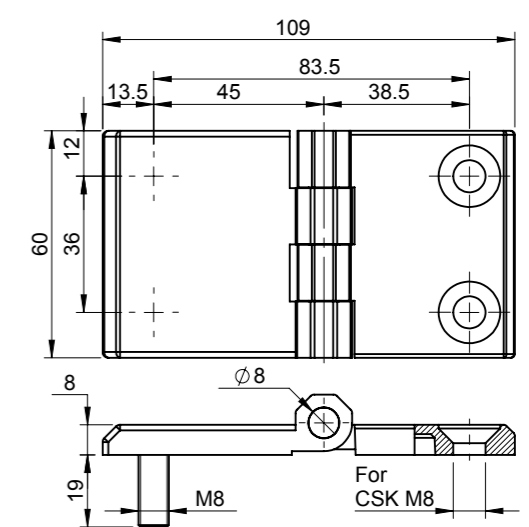
Flat Hinge : Zinc Die Cast



Product Code	Hinge Material	Pin Material	Finish	Opening Angle	Working Load (Kg)	
DHFM-6090-SH	Zinc	SS-304	Black PC	180°	Ax.: 67	Ra.: 85



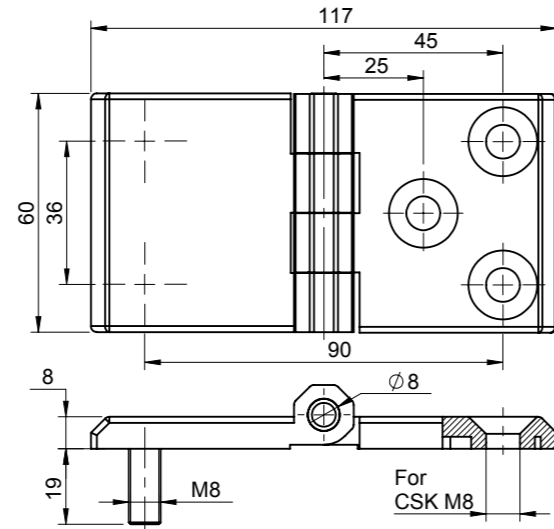
Product Code	Hinge Material	Pin Material	Finish	Opening Angle	Working Load (Kg)	
DHFM-60103-SH	Zinc	SS-304	Black PC	180°	Ax.:	Ra.:



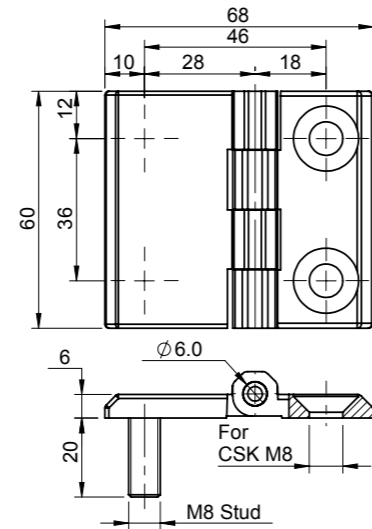
Product Code	Hinge Material	Pin Material	Finish	Opening Angle	Working Load (Kg)	
DHFM-60109-SH	Zinc	SS-304	Black PC	180°	Ax.:	Ra.:

Hinges

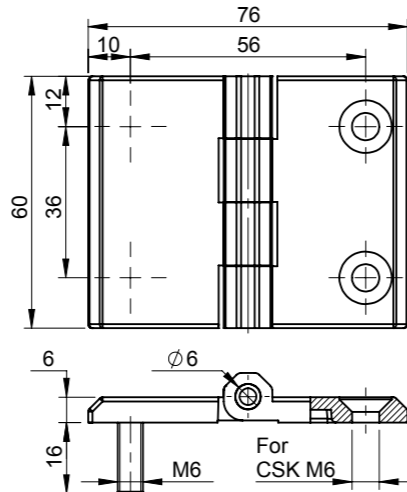
Flat Hinge : Zinc Die Cast



Product Code	Hinge Material	Pin Material	Finish	Opening Angle	Working Load (Kg)	
DHFM-60117-SH	Zinc	SS-304	Black PC	180°	Ax.: 57	Ra.: 88



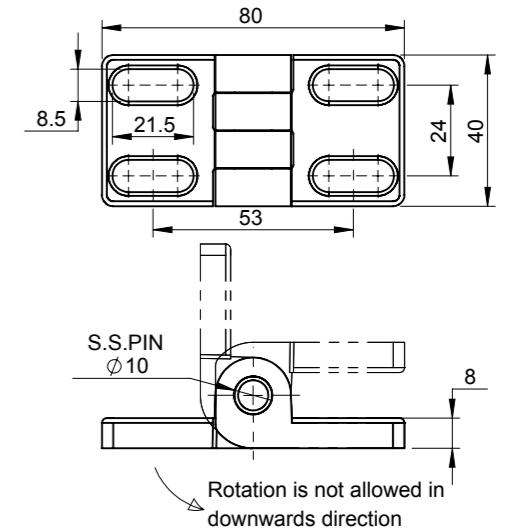
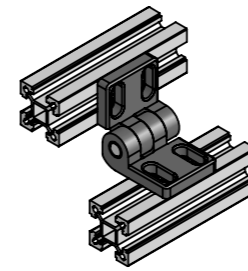
Product Code	Hinge Material	Pin Material	Finish	Opening Angle	Working Load (Kg)	
DHFM-68-SH	Zinc	SS-304	Black PC	180°	Ax.: 56	Ra.: 65



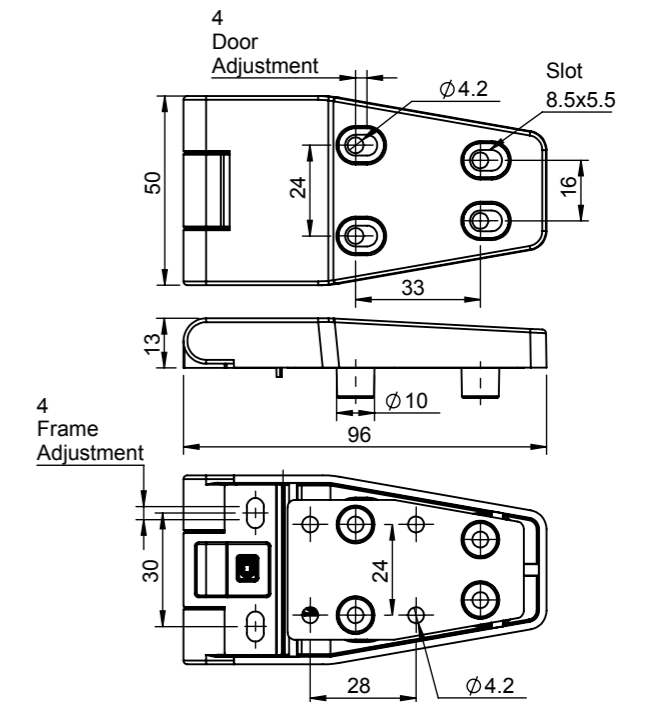
Product Code	Hinge Material	Pin Material	Finish	Opening Angle	Working Load (Kg)	
DHFM-76-SH	Zinc	SS-304	Black PC	180°	Ax.: 56	Ra.: 61

Hinges

Stop Hinge : Zinc Die Cast



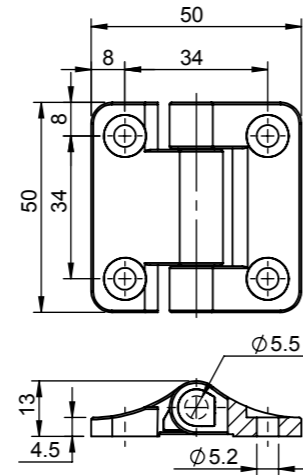
Product Code	Hinge Material	Pin Material	Finish	Opening Angle	Working Load (Kg)	
DHIZ-8040	Zinc	SS-304	Black PC	180°	Ax.: 23	Ra.: 37



Product Code	Material	Finish	Opening Angle	Load Capacity (Kg)
DHFM-5096-ADJ-4	Zinc	Black PC	180°	-

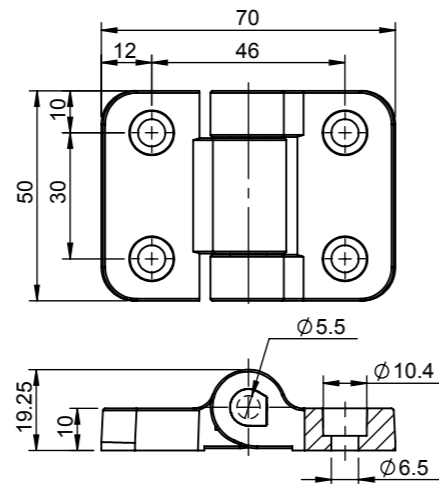
Hinges

Torque Hinge : Zinc Die Cast



2020

Product Code	Hinge Material	Pin Material	Finish	Opening Angle	Working Load (Kg)	
DHSZ-50	Zinc	SS-304	Black PC	180°	Ax.:	Ra.:

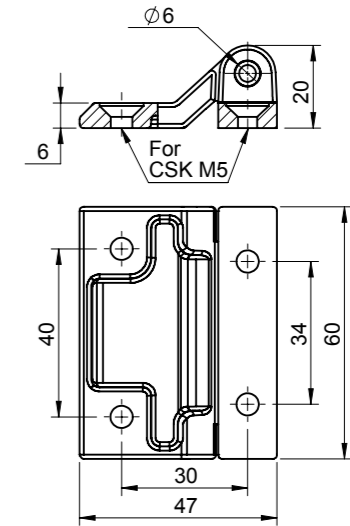


2020

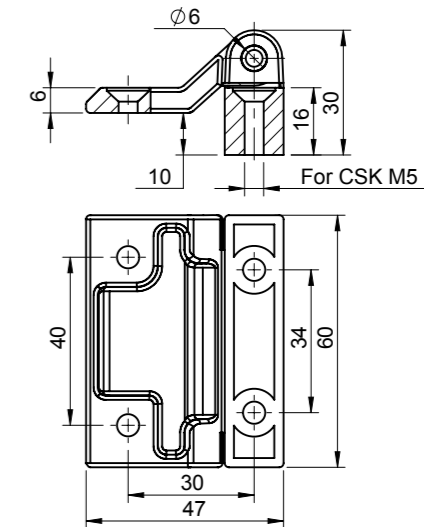
Product Code	Hinge Material	Pin Material	Finish	Opening Angle	Working Load (Kg)	
DHSZ-5070	Zinc	SS-304	Black PC	180°	Ax.:	Ra.:

Hinges

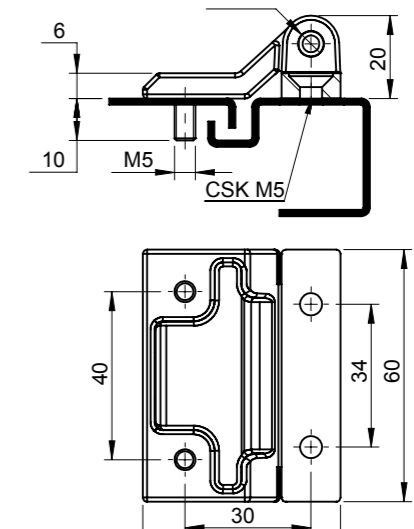
Exposed Hinge : Zinc Die Cast



Product Code	Hinge Material	Pin Material	Finish	Opening Angle	Working Load (Kg)	
DHIZ-4760-H-20	Zinc	SS-304	Black PC	180°	Ax.:	Ra.:



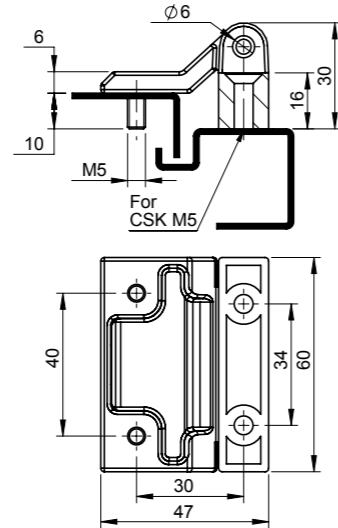
Product Code	Hinge Material	Pin Material	Finish	Opening Angle	Working Load (Kg)	
DHIZ-4760-H-30	Zinc	SS-304	Black PC	180°	Ax.:	Ra.:



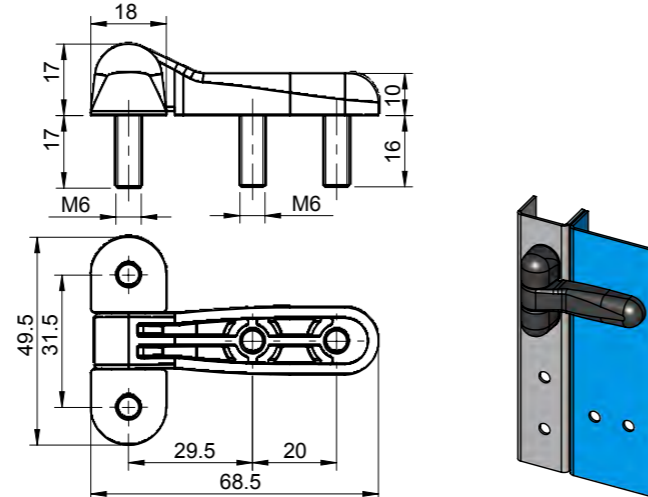
Product Code	Hinge Material	Pin Material	Finish	Opening Angle	Working Load (Kg)	
DHIZ-4760-S-20	Zinc	SS-304	Black PC	180°	Ax.:	Ra.:

Hinges

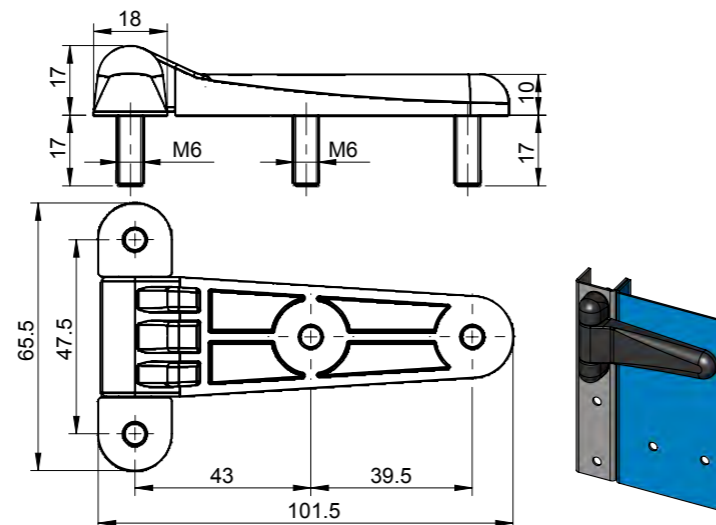
Torque Hinge : Zinc Die Cast



Product Code	Hinge Material	Pin Material	Finish	Opening Angle	Working Load (Kg)	
DHIZ-4760-S-30	Zinc	SS-304	Black PC	180°	Ax.:	Ra.:



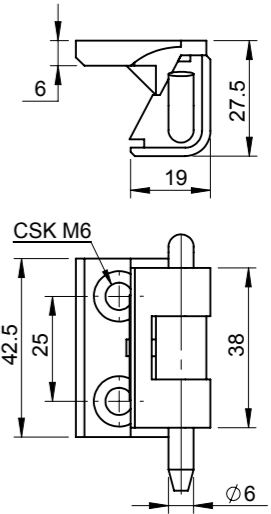
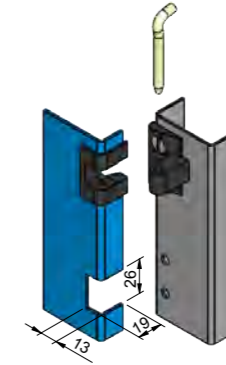
Product Code	Hinge Material	Pin Material	Finish	Opening Angle	Working Load (Kg)	
DHIZ-2931	Zinc	SS-304	Black PC	180°	Ax.: 43	Ra.: 58



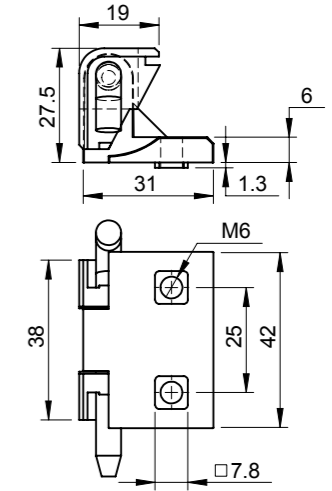
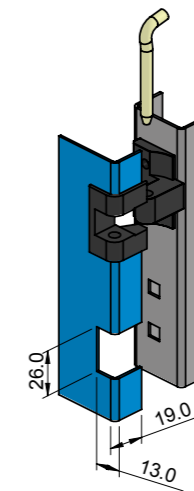
Product Code	Hinge Material	Pin Material	Finish	Opening Angle	Working Load (Kg)	
DHIZ-4347	Zinc	SS-304	Black PC	180°	Ax.:	Ra.:

Hinges

Torque Hinge : Zinc Die Cast



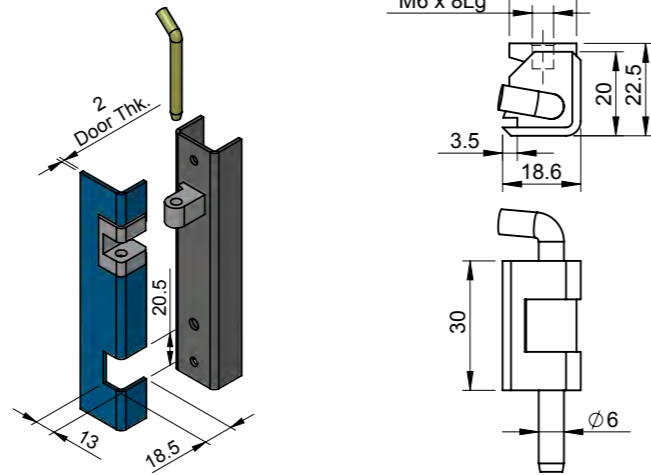
Product Code	Hinge Material	Pin Material	Sheet Thk.	Finish	Opening Angle	IP Mount (Optional)	Working Load (Kg)	
DHIZ-3825	Zinc	MS	1.5 to 1.8	Black PC	180°	CD-25-M6	Ax.:	Ra.:
DHIZ-3825-CH	Zinc	MS	1.5 to 1.8	Chrome	180°	CD-25-M6	Ax.:	Ra.:



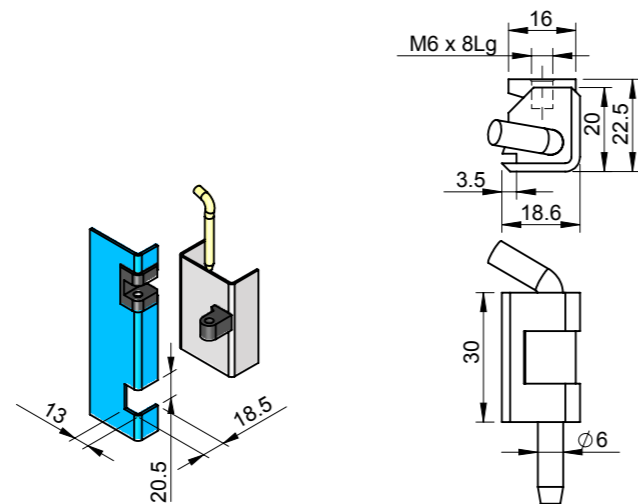
Product Code	Hinge Material	Pin Material	Sheet Thk.	Finish	Opening Angle	Working Load (Kg)	
DHIZ-3825-SQ-CH	Zinc	MS	1.5 to 1.8	Chrome	180°	Ax.:	Ra.:
DHIZ-3825-SQ	Zinc	MS	1.5 to 1.8	Black PC	180°	Ax.:	Ra.:

Hinges

Torque Hinge : Zinc Die Cast



Product Code	Hinge Material	Pin Material	Sheet Thk.	Finish	Opening Angle	Working Load (Kg)	
DHIZ-3022	Zinc	MS	2.0	Black PC	180°	Ax.:	Ra.:
DHIZ-3022-P-BZ	Zinc	MS (Blue Zinc)	2.0	Black PC	180°	Ax.:	Ra.:

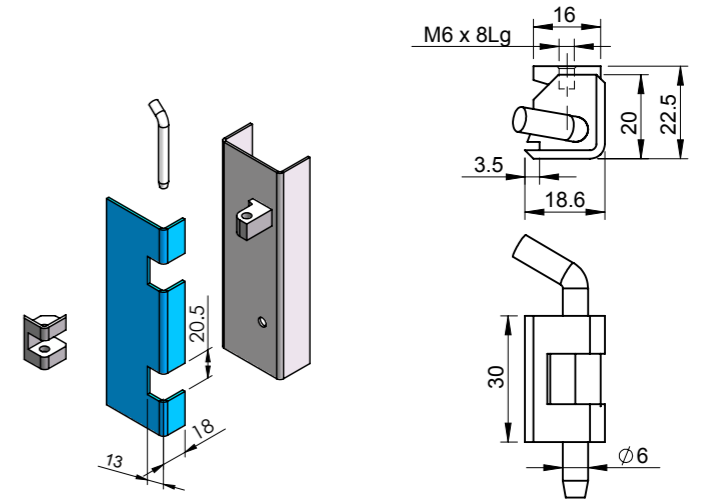


Product Code	Hinge Material	Pin Material	Sheet Thk.	Finish	Opening Angle	Load Capacity (Kg)	
DHIZ-3020-P-MS	Zinc	MS (Yellow Zinc)	1.5 to 1.9	Black PC	180°	Ax.:	Ra.:
DHIZ-3020-CH-P-D	Zinc	Derlin	1.5 to 1.9	Chrome	180°	Ax.:	Ra.:

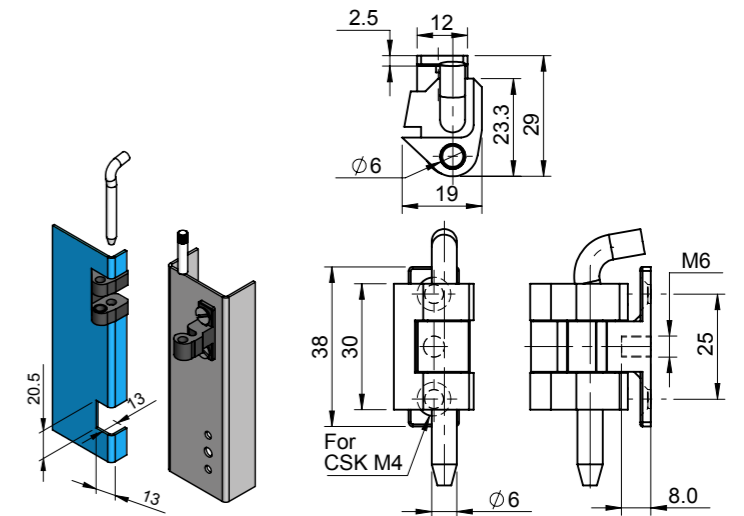
Pin also available in Chrome (CH), Blue Zinc (BZ) & SS-304

Hinges

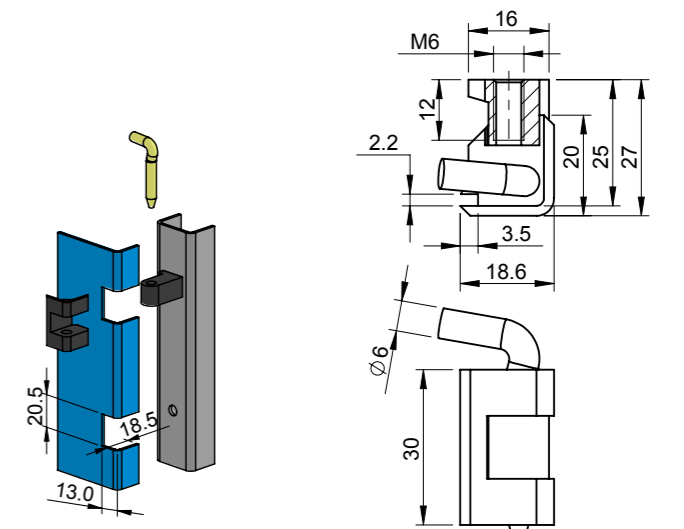
Torque Hinge : Zinc Die Cast



Product Code	Hinge Material	Pin Material	Sheet Thk.	Finish	Opening Angle	Working Load (Kg)	
DHIZ-30209	Zinc	MS	1.5 to 1.9	Black PC	90°	Ax.:	Ra.:



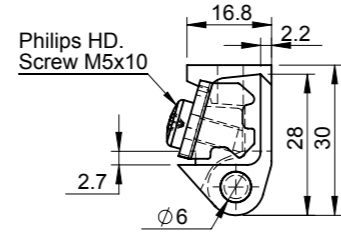
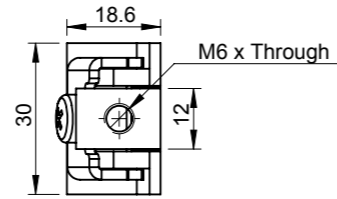
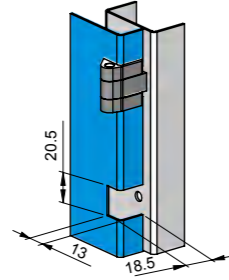
Product Code	Hinge Material	Pin Material	Sheet Thk.	Finish	Opening Angle	IP Mount (Optional)	Working Load (Kg)	
DHIZP-3020	Zinc	MS	1.5 to 1.9	Black PC	180°	CD-25-M6	Ax.:	Ra.:



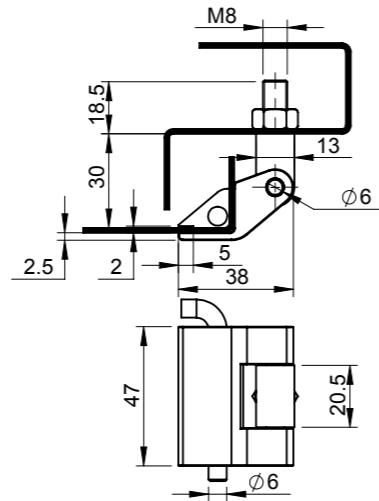
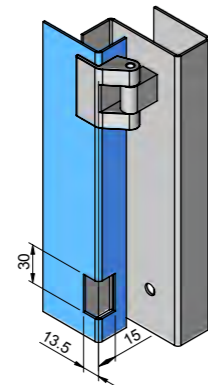
Product Code	Hinge Material	Pin Material	Sheet Thk.	Finish	Opening Angle	Working Load (Kg)	
DHIZ-3025	Zinc	MS	2.0	Black PC	180°	Ax.:	Ra.:

Hinges

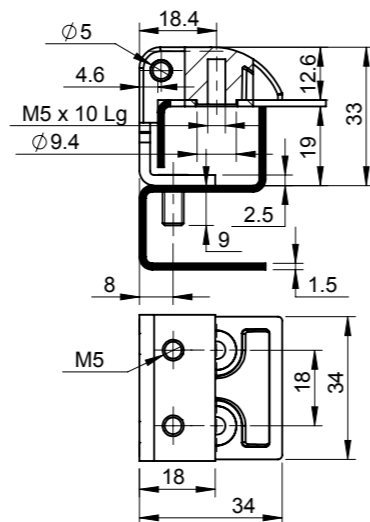
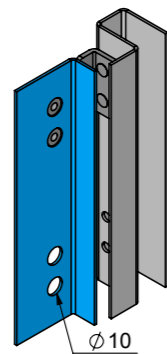
Torque Hinge : Zinc Die Cast



Product Code	Hinge Material	Pin Material	Finish	Opening Angle	Working Load (Kg)	
DHIZ-3028	Zinc	MS	Black PC	180°	Ax.:	Ra.:



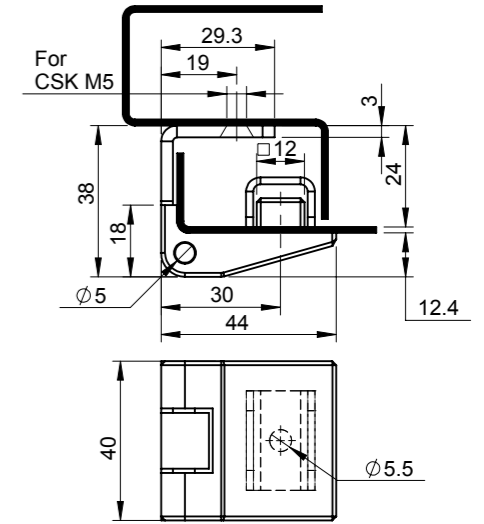
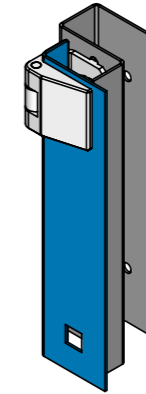
Product Code	Hinge Material	Pin Material	Finish	Opening Angle	Working Load (Kg)	
DHIZ-4638	Zinc	SS-304 / MS	Black PC	180°	Ax.:	Ra.:



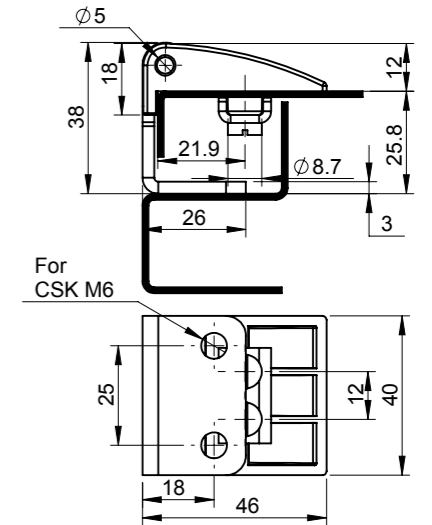
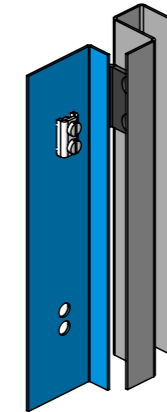
Product Code	Hinge Material	Pin Material	Finish	Opening Angle	Working Load (Kg)	
DHIM-3433-PC	Zinc	SS-304	Black PC	180°	Ax.:	Ra.:

Hinges

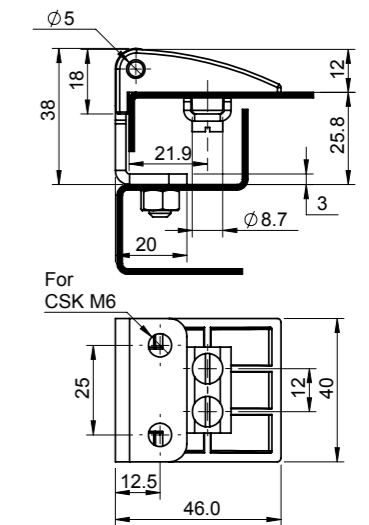
Torque Hinge : Zinc Die Cast



Product Code	Hinge Material	Pin Material	Finish	Opening Angle	Working Load (Kg)	
DHIM-4038-PC	Zinc	SS-304	Black PC	180°	Ax.:	Ra.:



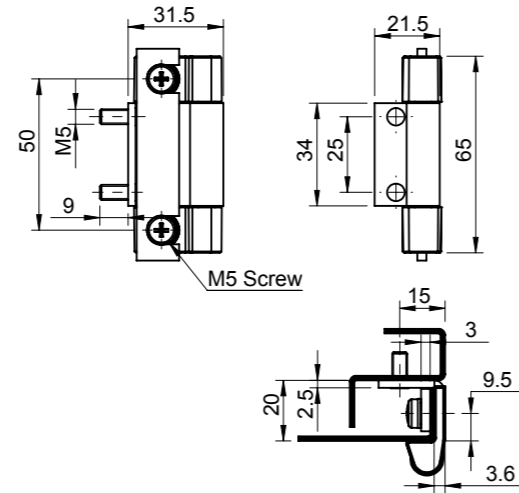
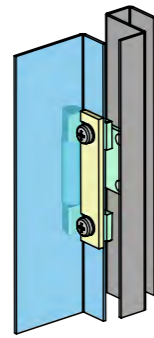
Product Code	Hinge Material	Pin Material	Finish	Opening Angle	Working Load (Kg)	
DHIM-4038-2-PC	Zinc	SS-304	Black PC	180°	Ax.:	Ra.:



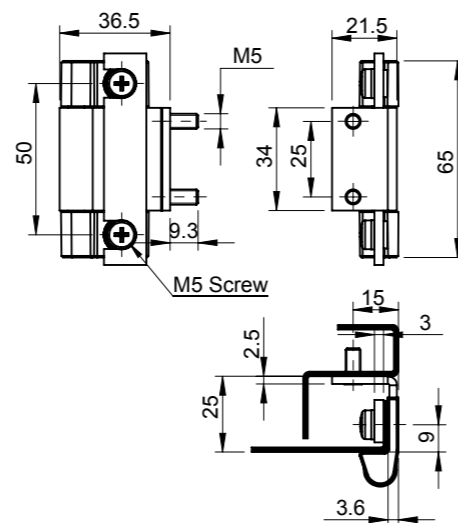
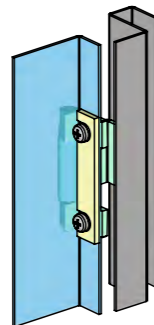
Product Code	Hinge Material	Pin Material	Finish	Opening Angle	Working Load (Kg)	
DHIM-4038-220-PC	Zinc	SS-304	Black PC	180°	Ax.:	Ra.:

Hinges

Torque Hinge : Zinc Die Cast



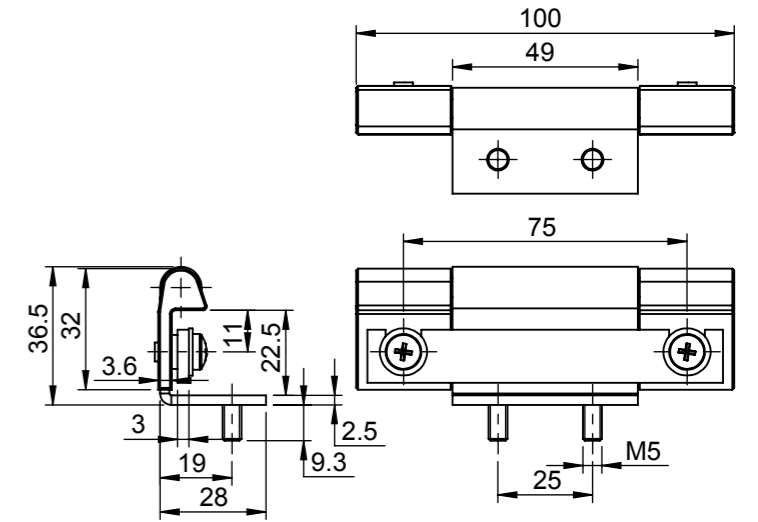
Product Code	Hinge Material	Pin Material	Finish	Opening Angle	Working Load (Kg)	
DHIM-5025-PC	Zinc + MS	SS-304	Black PC + Yellow Zinc	270°	Ax.:	Ra.:



Product Code	Hinge Material	Pin Material	Finish	Opening Angle	Working Load (Kg)	
DHIM-5025-A-PC	Zinc + MS	SS-304	Black PC + Yellow Zinc	270°	Ax.:	Ra.:

Hinges

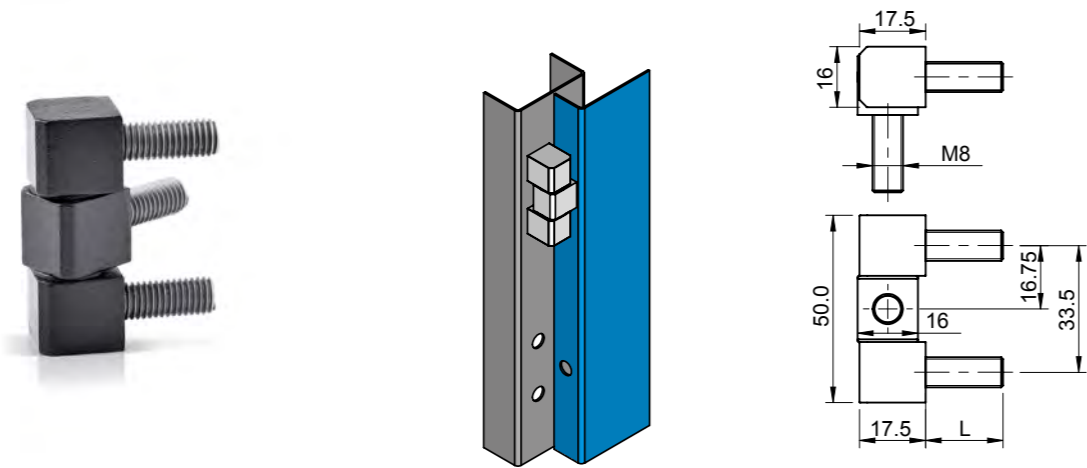
Torque Hinge : Zinc Die Cast



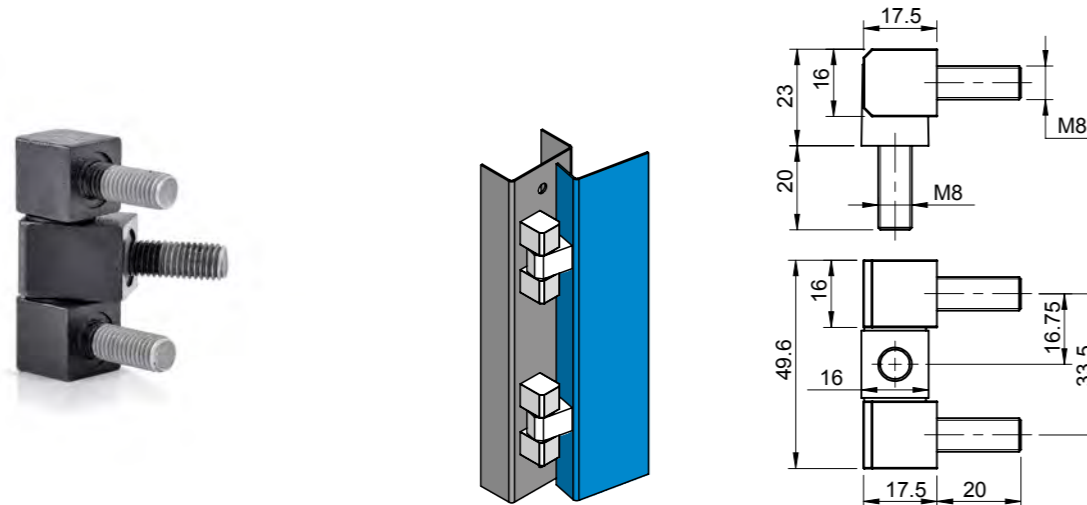
Product Code	Hinge Material	Pin Material	Finish	Opening Angle	Working Load (Kg)	
DHIM-7525-PC	Zinc + MS	SS-304	Black PC + Yellow Zinc	270°	Ax.:	Ra.:

Hinges

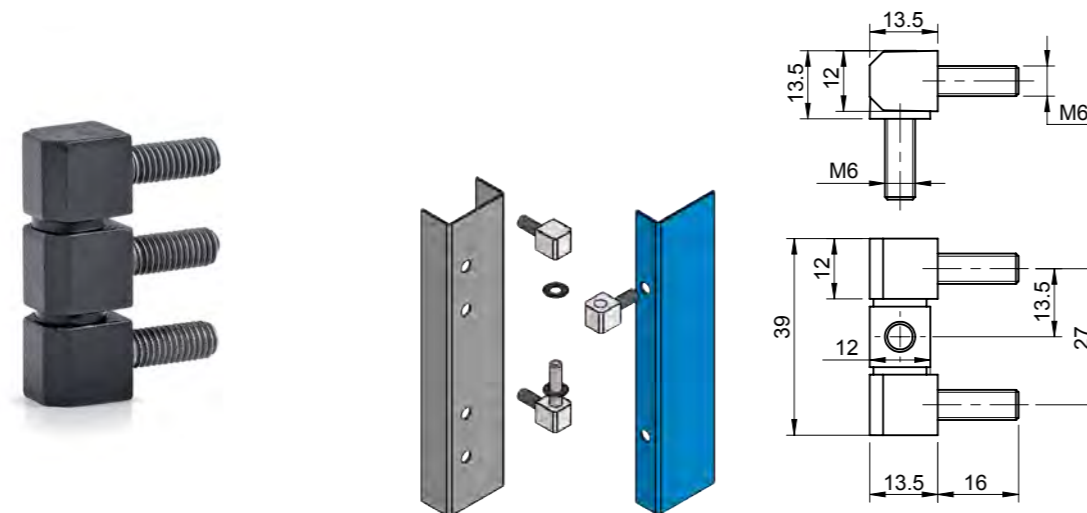
Side Exposed Hinge : Zinc Die Cast



Product Code	Hinge Material	Pin Material	Stud Length (L)	Finish	Opening Angle	Working Load (Kg)	
DHIZ-16-8-3-20	Zinc	SS-304	20	Black PC	180°	Ax.:	Ra.:
DHIZ-16-8-3-12	Zinc	SS-304	12	Black PC	180°	Ax.:	Ra.:



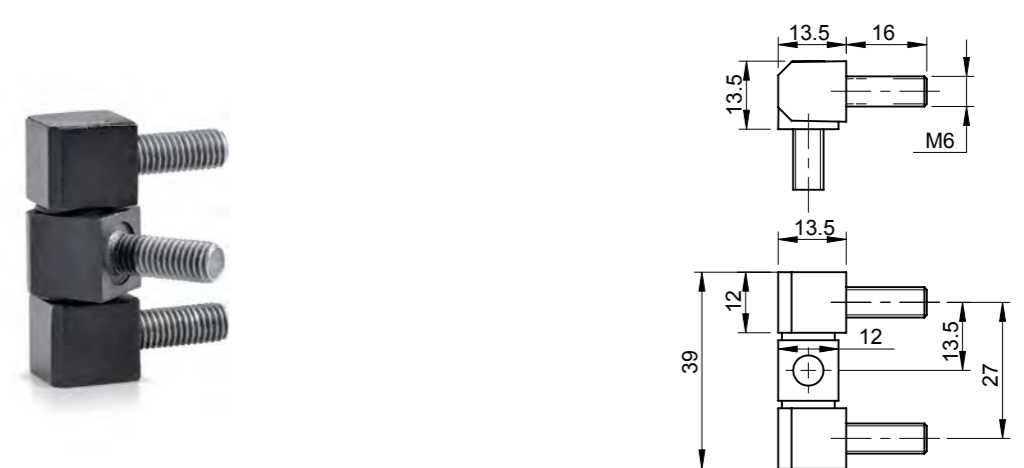
Product Code	Hinge Material	Pin Material	Finish	Opening Angle	Working Load (Kg)	
DHIZ-1723-8-3	Zinc	SS-304	Black PC	180°	Ax.:	Ra.:



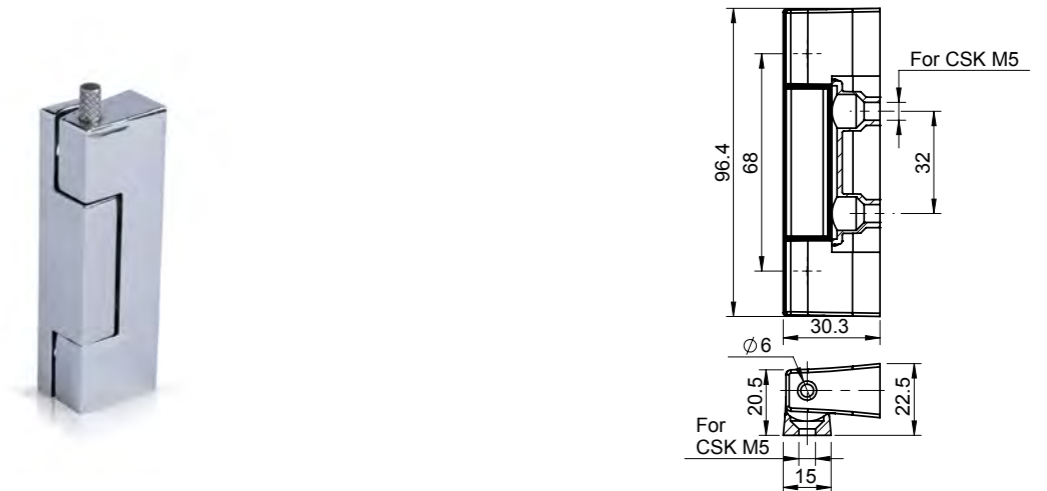
Product Code	Hinge Material	Pin Material	Finish	Opening Angle	Working Load (Kg)	
DHIZ-12-6-3	Zinc	SS-304	Black PC	180°	Ax.:	Ra.:

Hinges

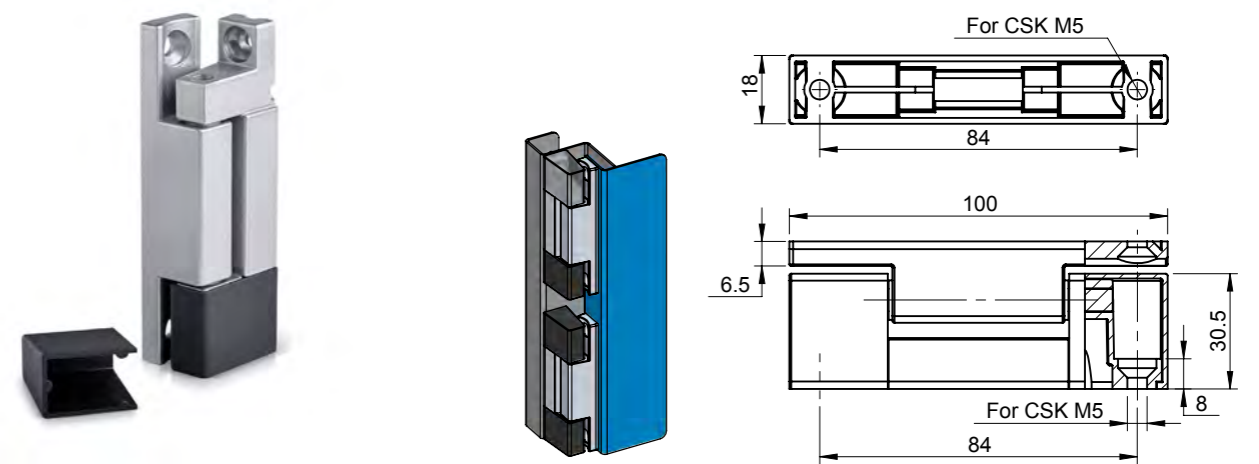
Side Exposed Hinge : Zinc Die Cast



Product Code	Hinge Material	Pin Material	Finish	Opening Angle	Working Load (Kg)	
DHIZ-1214-6-3	Zinc	SS-304	Black PC	180°	Ax.:	Ra.:



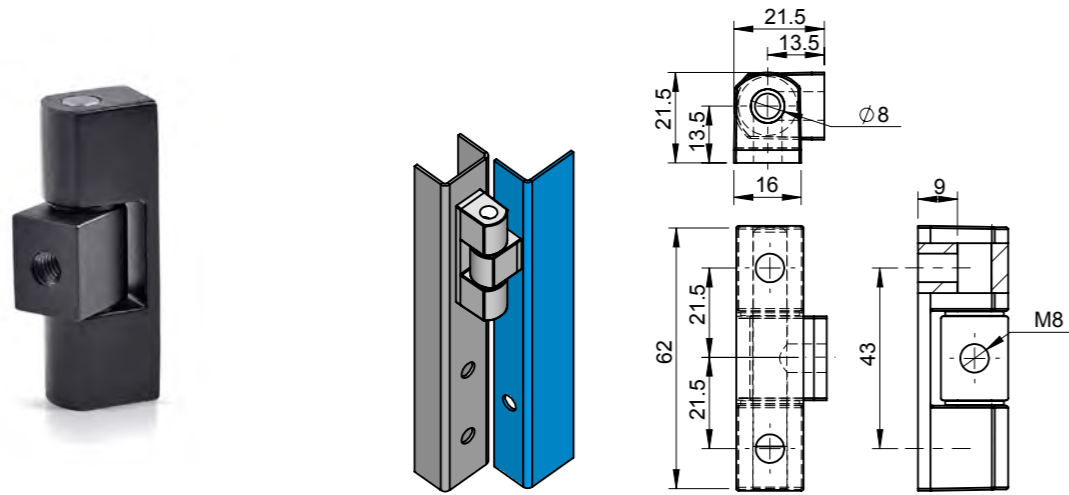
Product Code	Hinge Material	Pin Material	Finish	Opening Angle	Working Load (Kg)	
DHIZ-9630-CH	Zinc	SS-304	CH	180°	Ax.:	Ra.:
DHIZ-9630-STPC	Zinc	SS-304	STPC	180°	Ax.:	Ra.:



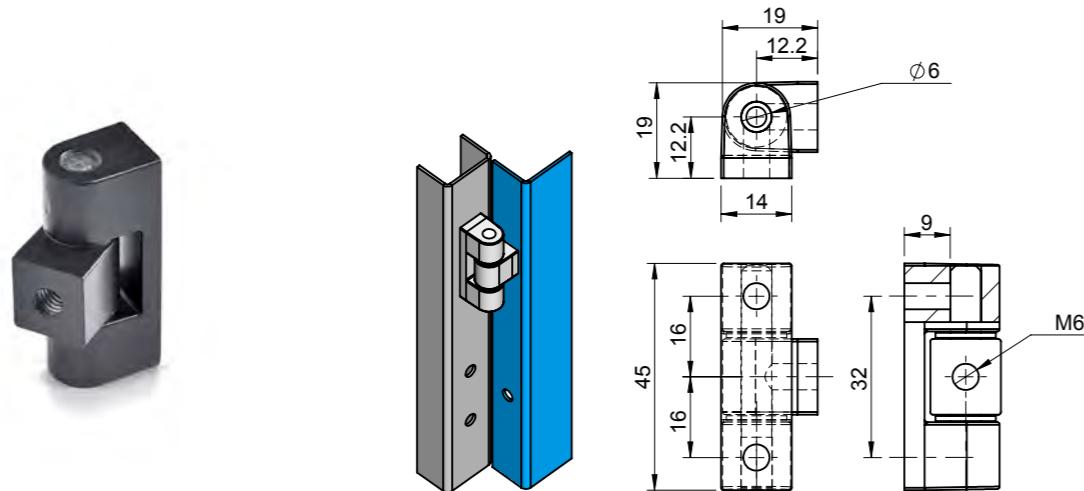
Product Code	Hinge Material	Pin Material	Finish	Opening Angle	Working Load (Kg)	
DHIZ-10039-SPC	Zinc	SS-304	STPC	180°	Ax.:	Ra.:

Hinges

Side Exposed Hinge : Zinc Die Cast



Product Code	Hinge Material	Pin Material	Finish	Opening Angle	Working Load (Kg)	
DHIZ-6321	Zinc	SS-202	Black PC	180°	Ax.: 68	Ra.: 165



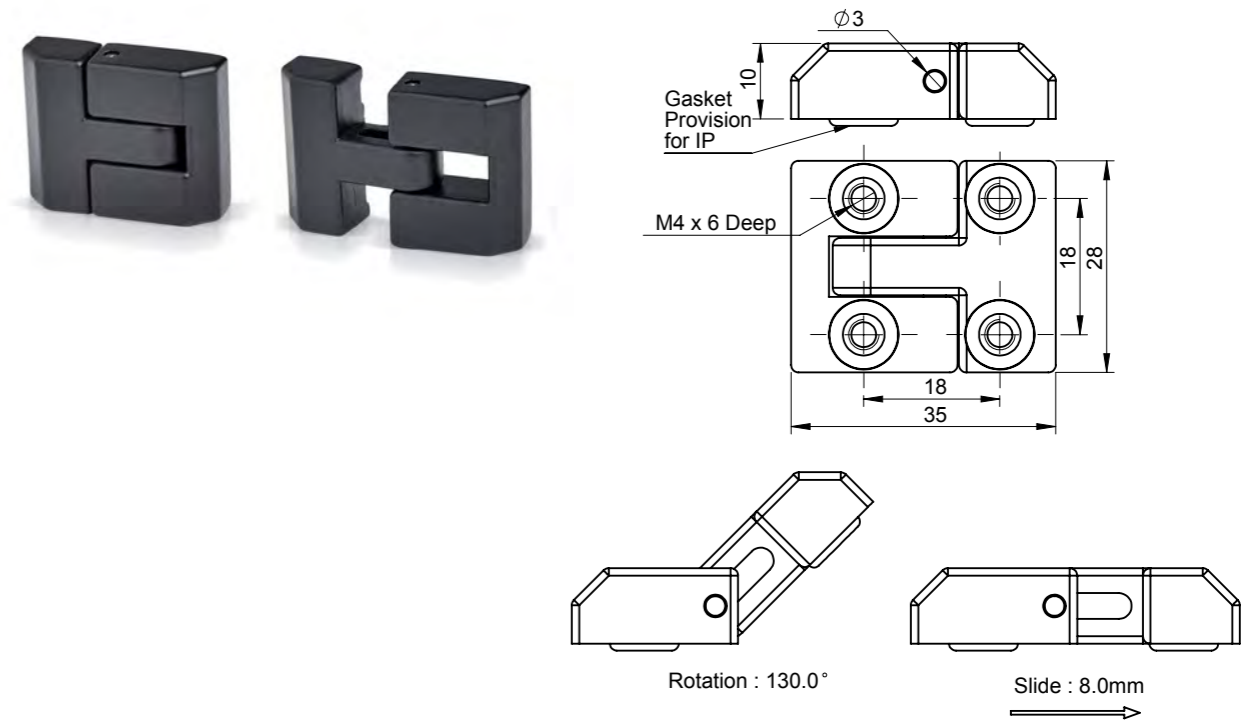
Product Code	Hinge Material	Pin Material	Finish	Opening Angle	Working Load (Kg)	
DHIZ-4519	Zinc	SS-202	Black PC	180°	Ax.:	Ra.:



Product Code	Hinge Material	Pin Material	Finish	Opening Angle	Working Load (Kg)	
DHIZ-10-4-3	Zinc	SS-304	Black PC	180°	Ax.:	Ra.:

Hinges

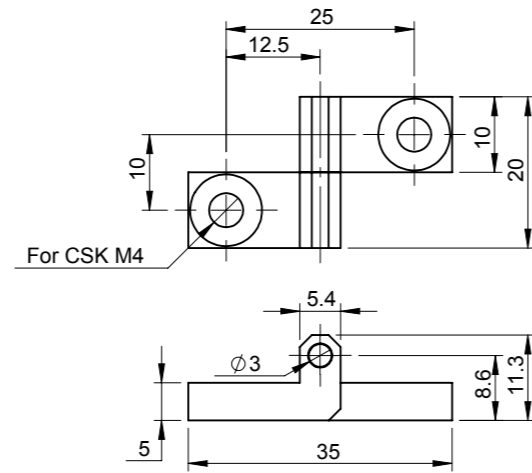
Slide Pivot Hinge : Zinc Die Cast



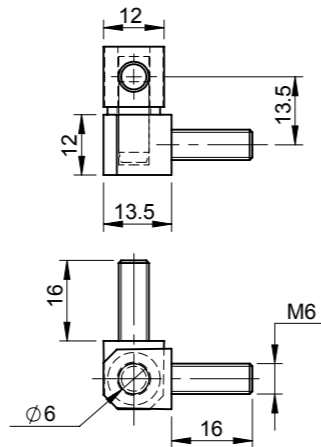
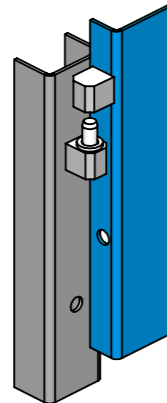
Product Code	Hinge Material	Pin Material	Finish	Opening Angle	Working Load (Kg)	
DHFSP-3528	Zinc	SS-304	Black PC	130°	Ax.:	Ra.:

Hinges

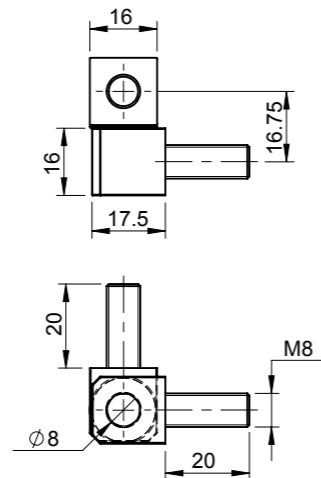
Lift off Hinge : Zinc Die Cast



Product Code	Hinge Material	Pin Material	Finish	Opening Angle	Working Load (Kg)	
DMLOH-10-4-2	Zinc	SS-304	Black PC	180°	Ax.:	Ra.:



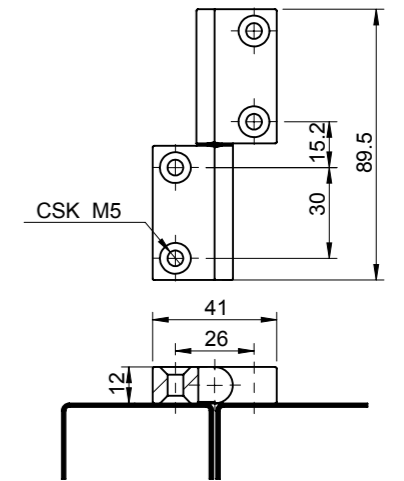
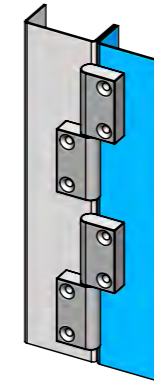
Product Code	Hinge Material	Pin Material	Finish	Opening Angle	Working Load (Kg)	
DMLOH-12-6-2	Zinc	SS-304	Black PC	180°	Ax.:	Ra.:



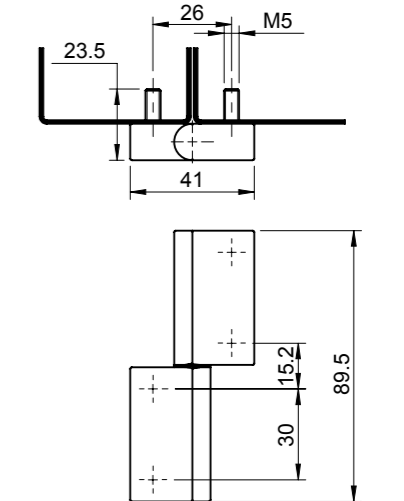
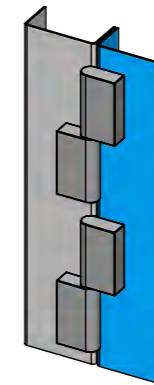
Product Code	Hinge Material	Pin Material	Finish	Opening Angle	Working Load (Kg)	
DMLOH-16-8-2	Zinc	SS-304	Black PC	180°	Ax.:	Ra.:

Hinges

Lift off Hinge : Zinc Die Cast



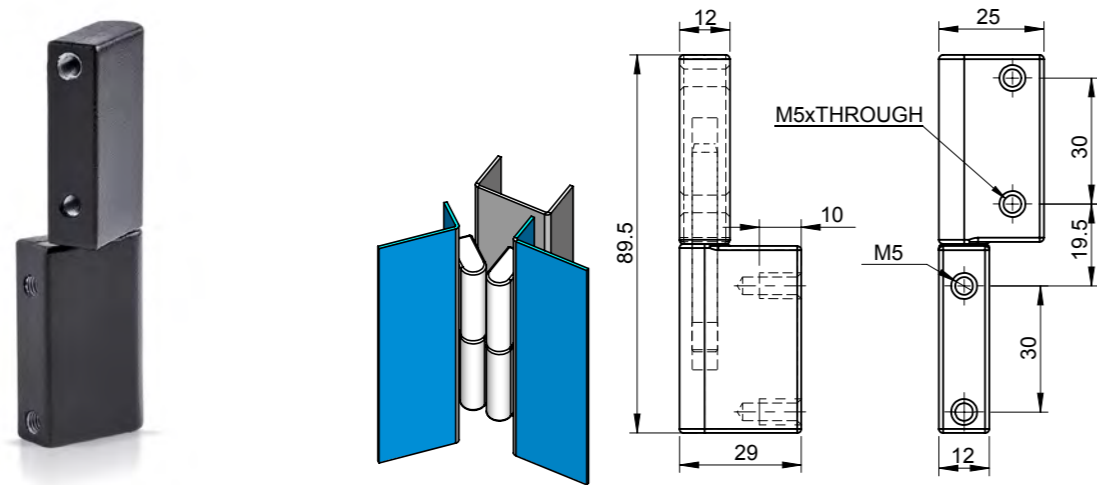
Product Code	Hinge Material	Pin Material	Finish	Opening Angle	Working Load (Kg)	
DMLOH-2790-HH	Zinc	SS-304	Black PC	180°	Ax.: 27	Ra.: 16



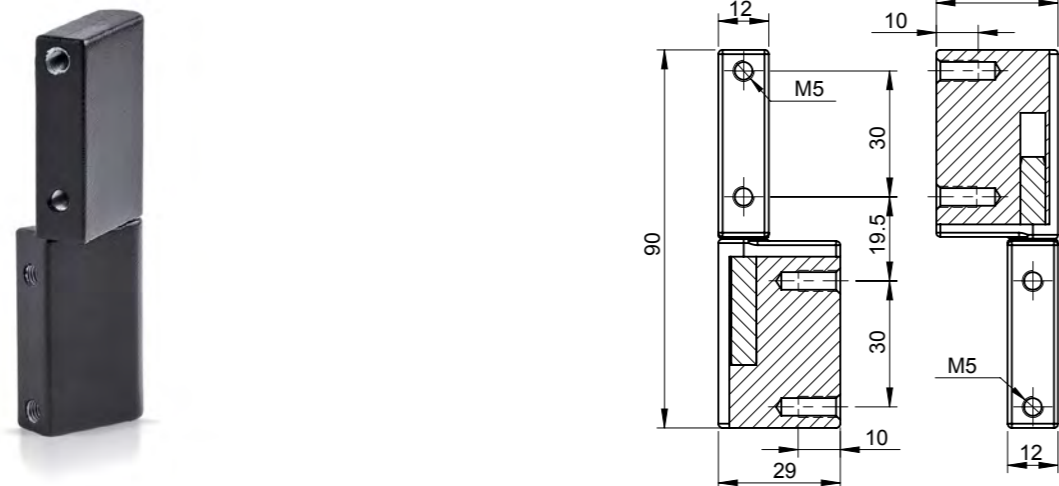
Product Code	Hinge Material	Pin Material	Finish	Opening Angle	Working Load (Kg)	
DMLOH-2790-SS	Zinc	SS-304	Black PC	180°	Ax.: 34	Ra.: 14

Hinges

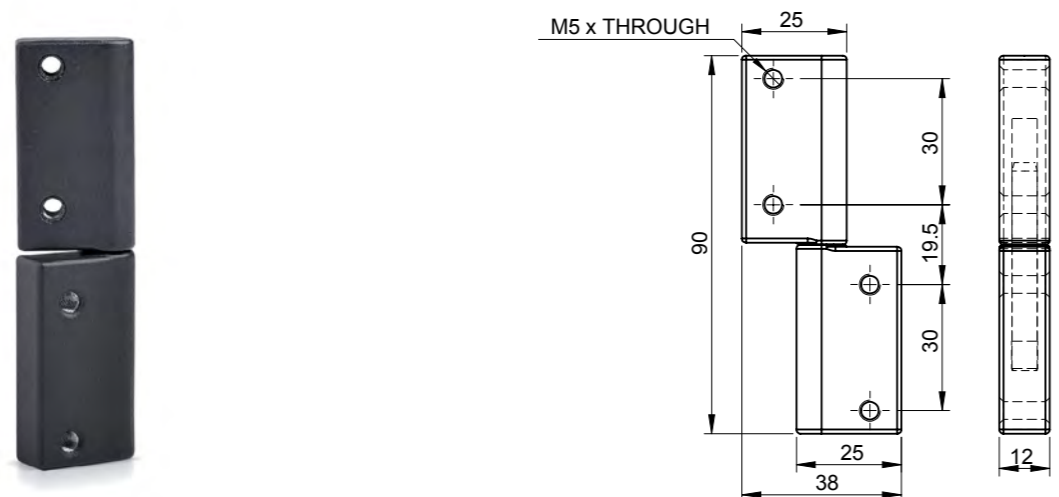
Lift off Hinge : Zinc Die Cast



Product Code	Hinge Material	Pin Material	Finish	Opening Angle	Working Load (Kg)	
DMLOH-4290	Zinc	SS-304	Black PC	180°	Ax.:	Ra.:



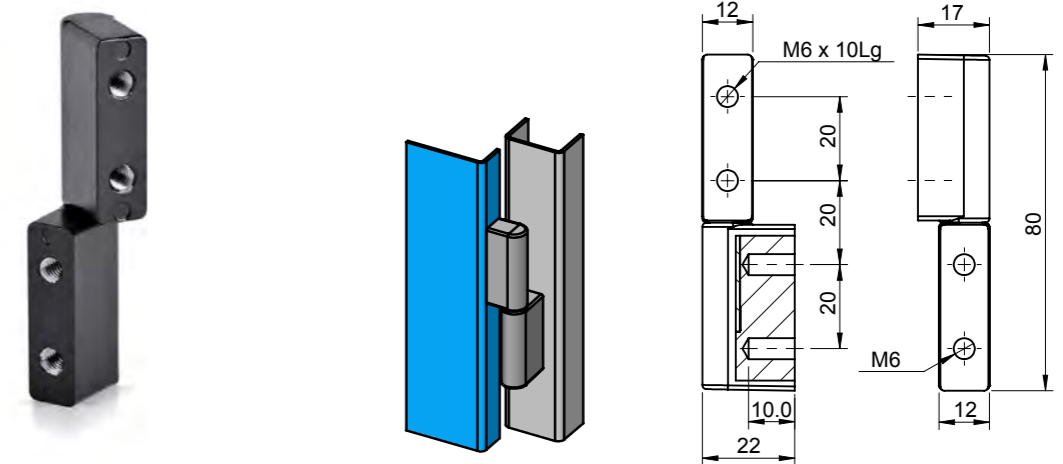
Product Code	Hinge Material	Pin Material	Finish	Opening Angle	Working Load (Kg)	
DMLOH-4690	Zinc	SS-304	Black PC	180°	Ax.:	Ra.:



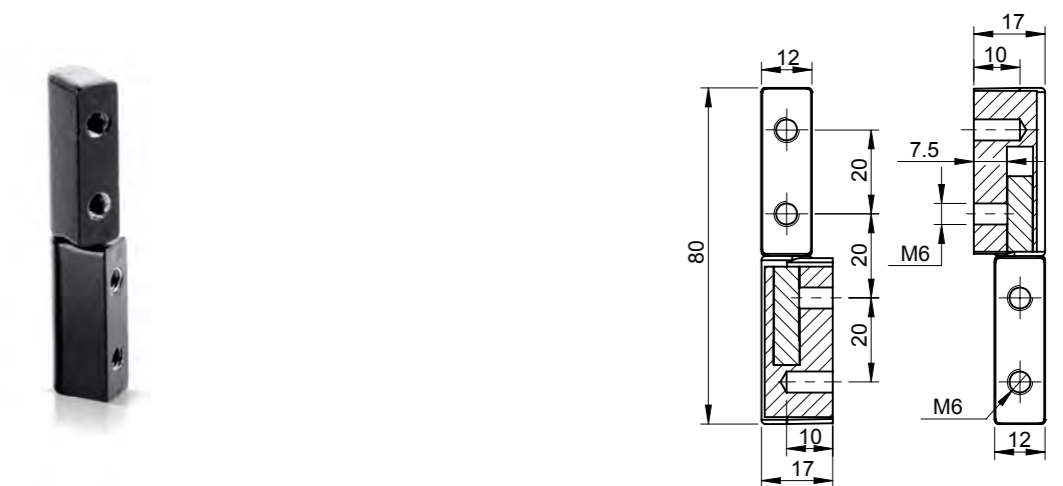
Product Code	Hinge Material	Pin Material	Finish	Opening Angle	Working Load (Kg)	
DMLOH-3890	Zinc	SS-304	Black PC	180°	Ax.:	Ra.:

Hinges

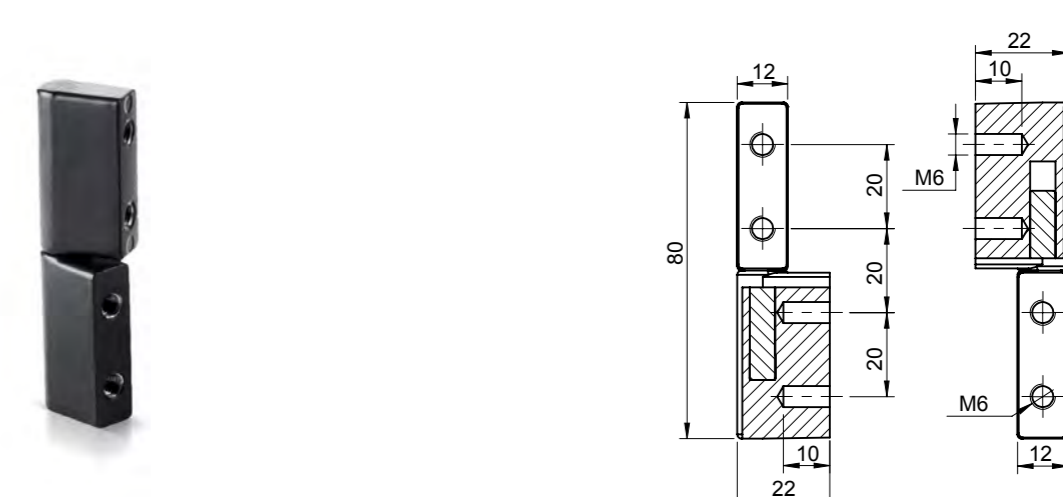
Lift off Hinge : Zinc Die Cast



Product Code	Hinge Material	Pin Material	Finish	Opening Angle	Working Load (Kg)	
DMLOH-2780	Zinc	SS-304	Black PC	180°	Ax.: 51	Ra.: 34



Product Code	Hinge Material	Pin Material	Finish	Opening Angle	Working Load (Kg)	
DMLOH-2280	Zinc	SS-304	Black PC	180°	Ax.:	Ra.:



Product Code	Hinge Material	Pin Material	Finish	Opening Angle	Working Load (Kg)	
DMLOH-3280	Zinc	SS-304	Black PC	180°	Ax.:	Ra.:

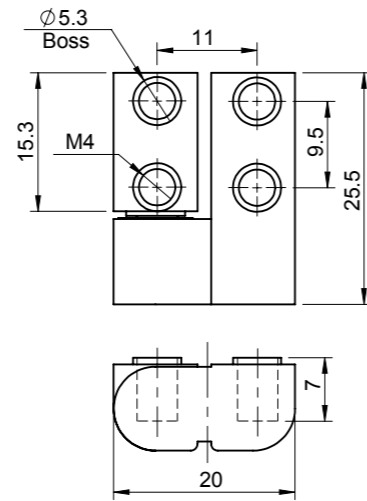
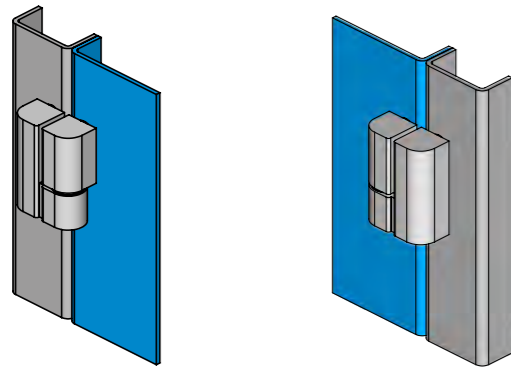
Hinges

Lift off Hinge : Zinc Die Cast

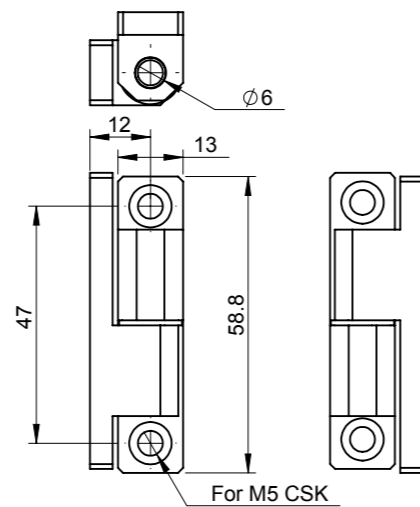
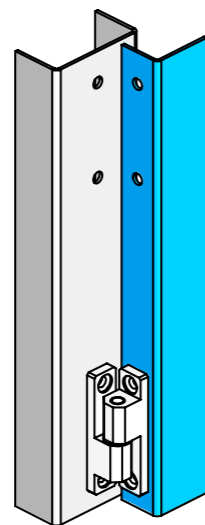


DHLM-25-L

DHLM-25-R



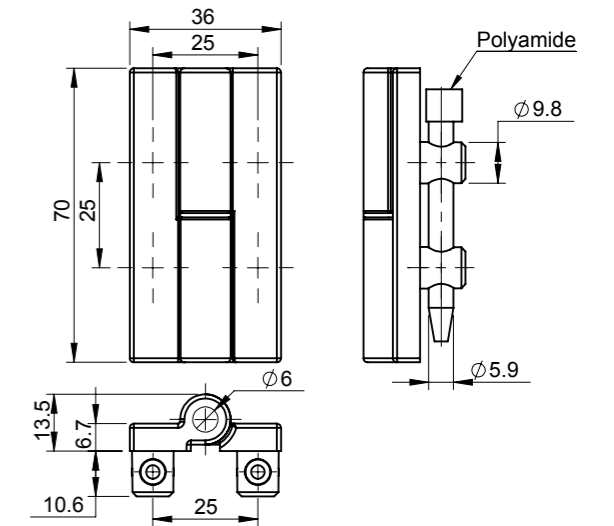
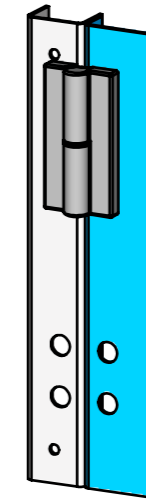
Product Code	Hinge Material	Finish	Opening Angle	Working Load (Kg)	
DHLM-25-L	Zinc	Black PC	180°	Ax.: 37	Ra.: 14
DHLM-25-R	Zinc	Black PC	180°	Ax.: 32	Ra.: 15



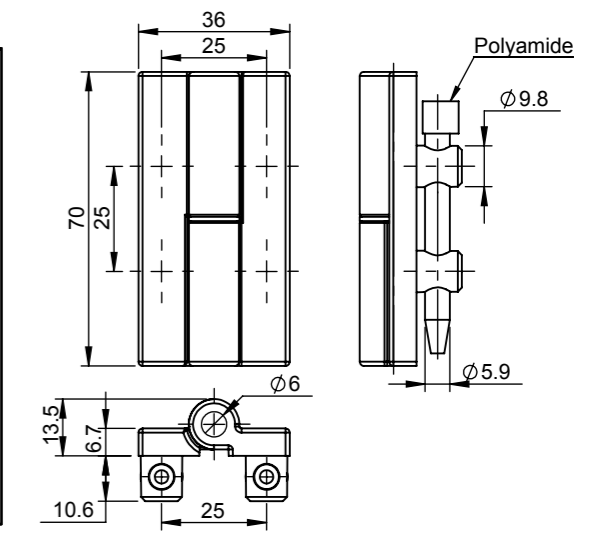
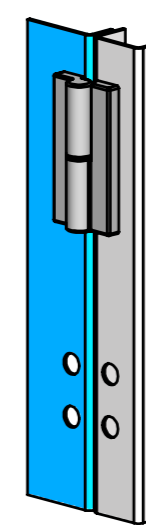
Product Code	Hinge Material	Pin Material	Finish	Opening Angle	Working Load (Kg)	
DMLOH-1312	Zinc	SS-304	CH	180°	Ax.: 32	Ra.: 19

Hinges

Lift off Hinge : Zinc Die Cast



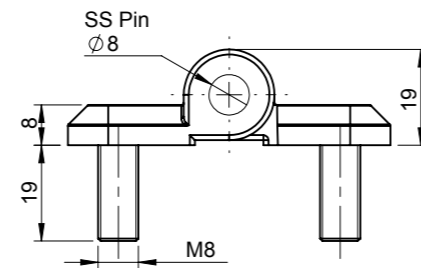
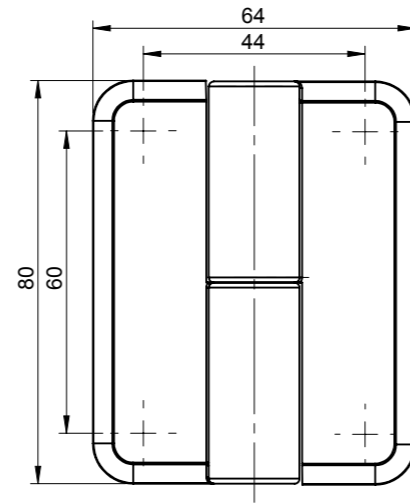
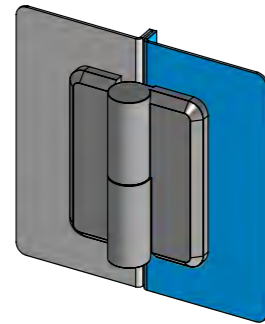
Product Code	Hinge Material	Pin Material	Finish	Opening Angle	Working Load (Kg)	
DHLZP-3670-L	Zinc	SS-304	Black PC	180°	Ax.: 29	Ra.: 48



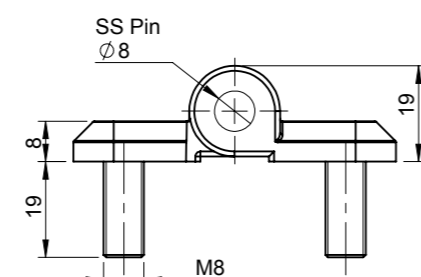
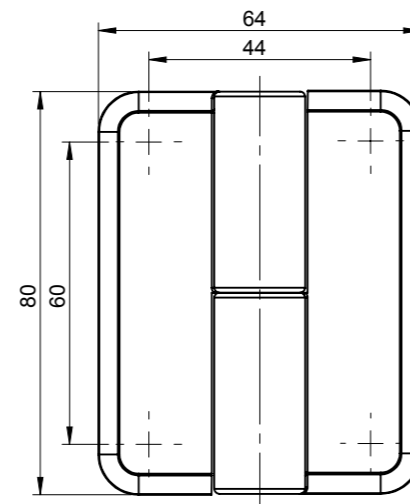
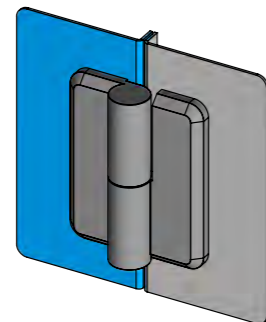
Product Code	Hinge Material	Pin Material	Finish	Opening Angle	Working Load (Kg)	
DHLZP-3670-R	Zinc	SS-304	Black PC	180°	Ax.: 30	Ra.: 51

Hinges

Lift off Hinge : Zinc Die Cast



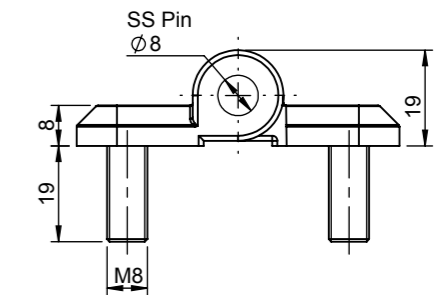
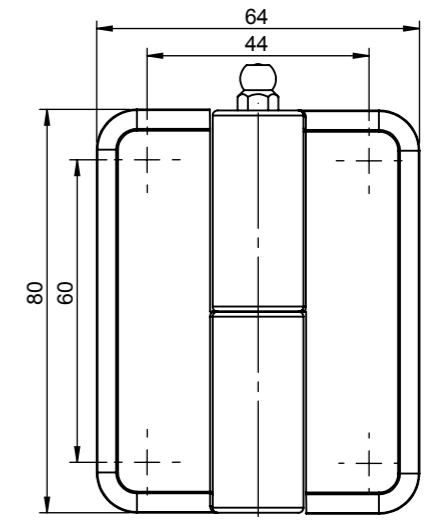
Product Code	Hinge Material	Pin Material	Finish	Opening Angle	Working Load (Kg)	
DHLM-8060-L-PC	Zinc	SS-304	Black PC	180°	Ax.: 43	Ra.: 46



Product Code	Hinge Material	Pin Material	Finish	Opening Angle	Working Load (Kg)	
DHLM-8060-R-PC	Zinc	SS-304	Black PC	180°	Ax.: 42	Ra.: 37

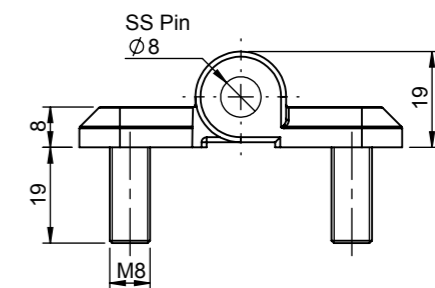
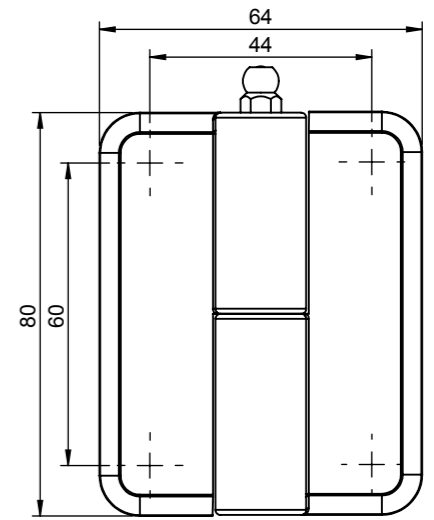
Hinges

Lift off Hinge : Zinc Die Cast



2020

Product Code	Hinge Material	Pin Material	Finish	Opening Angle	Working Load (Kg)	
DHLM-8060-GN-L-PC	Zinc	SS-304	Black PC	180°	Ax.: 43	Ra.: 46

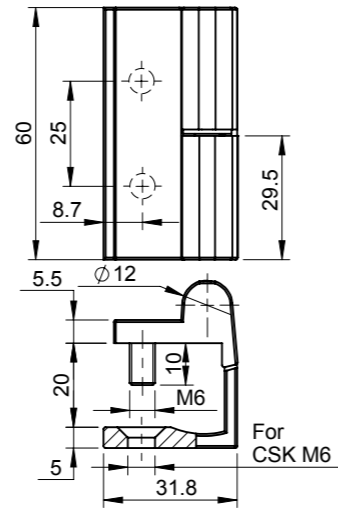


2020

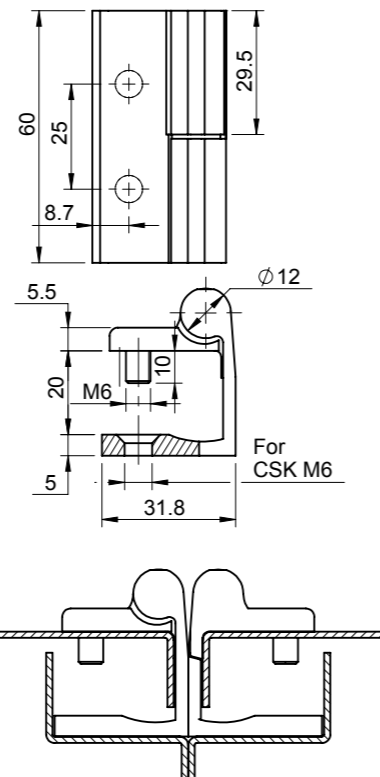
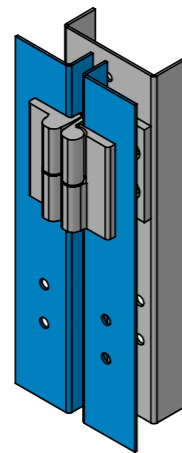
Product Code	Hinge Material	Pin Material	Finish	Opening Angle	Working Load (Kg)	
DHLM-8060-GN-R-PC	Zinc	SS-304	Black PC	180°	Ax.: 42	Ra.: 37

Hinges

Lift off Hinge : Zinc Die Cast



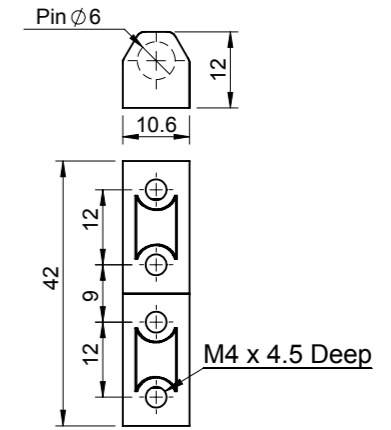
Product Code	Hinge Material	Pin Material	Finish	Opening Angle	IP Mount (Optional)	Working Load (Kg)	
DHLZ-6040-L	Zinc	SS-304	Black PC	180°	CD-25-M6	Ax.:	Ra.:



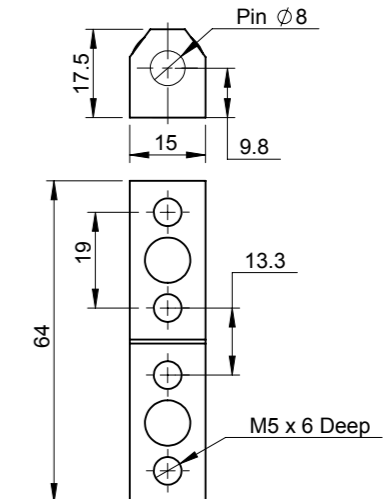
Product Code	Hinge Material	Pin Material	Finish	Opening Angle	IP Mount (Optional)	Working Load (Kg)	
DHLZ-6040-R	Zinc	SS-304	Black PC	180°	CD-25-M6	Ax.:	Ra.:

Hinges

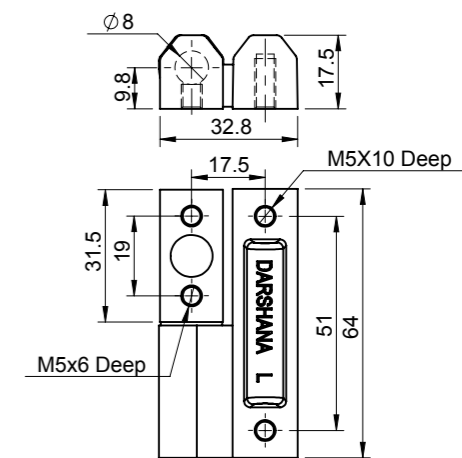
Lift off Hinge : Zinc Die Cast



Product Code	Hinge Material	Pin Material	Finish	Opening Angle	Working Load (Kg)	
DHLZ-1142	Zinc	SS-304	Black PC	180°	Ax.:	Ra.:



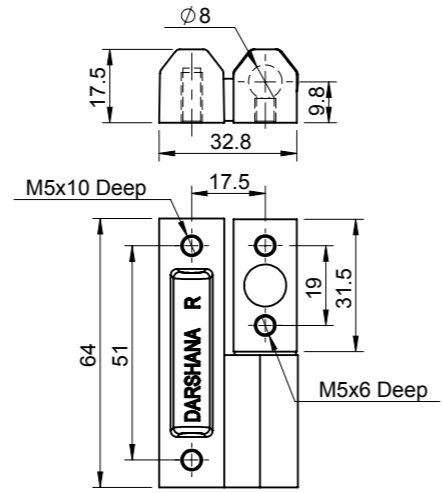
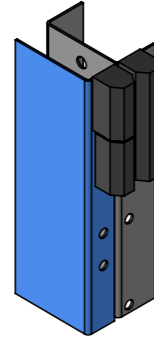
Product Code	Hinge Material	Pin Material	Finish	Opening Angle	Working Load (Kg)	
DHLZ-1564	Zinc	SS-304	Black PC	180°	Ax.:	Ra.:



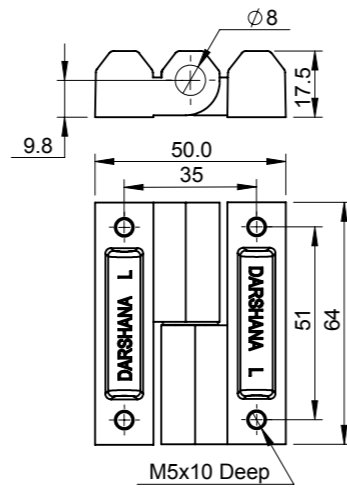
Product Code	Hinge Material	Pin Material	Finish	Opening Angle	Working Load (Kg)	
DHLZ-3264-L	Zinc	SS-304	Black PC	180°	Ax.:	Ra.:

Hinges

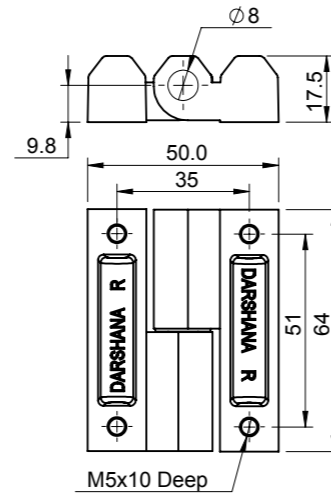
Lift off Hinge : Zinc Die Cast



Product Code	Hinge Material	Pin Material	Finish	Opening Angle	Working Load (Kg)	
DHLZ-3264-R	Zinc	SS-304	Black PC	180°	Ax.:	Ra.:



Product Code	Hinge Material	Pin Material	Finish	Opening Angle	Working Load (Kg)	
DHLZ-5064-L	Zinc	SS-304	Black PC	180°	Ax.: 17	Ra.: 27



Product Code	Hinge Material	Pin Material	Finish	Opening Angle	Working Load (Kg)	
DHLZ-5064-R	Zinc	SS-304	Black PC	180°	Ax.: 33	Ra.: 16

Hinges

Lift off Hinge-Clip Fit : Zinc Die Cast

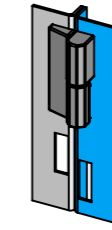
For Sales in India



DHLZC-3264-L



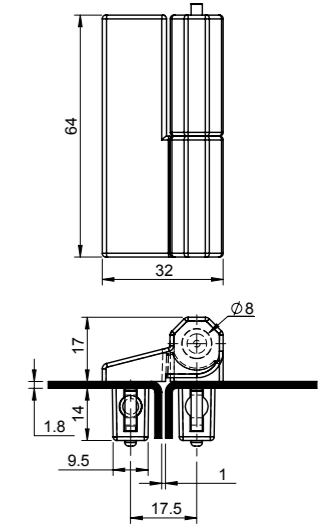
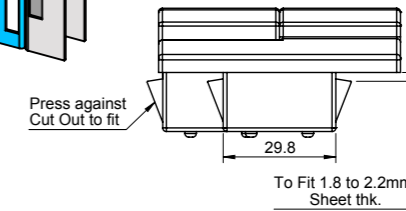
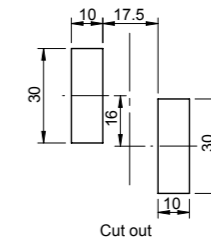
DHLZC-3264-R



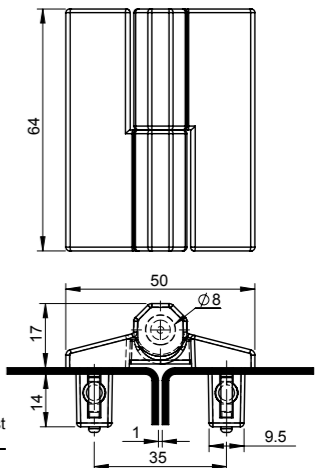
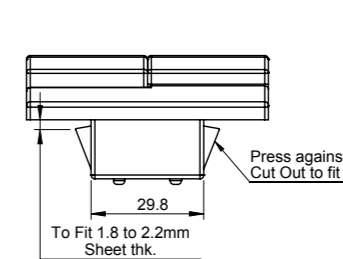
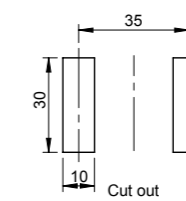
DHLZC-5064-L



DHLZC-5064-R



Product Code	Hinge Material	Sheet Thickness	Pin Material	Finish	Opening Angle	Working Load (Kg)	
DHLZC-3264-L	Zinc	1.8 to 2.2	SS-304	Black PC	180°	Ax.:	Ra.:
DHLZC-3264-R	Zinc	1.8 to 2.2	SS-304	Black PC	180°	Ax.:	Ra.:

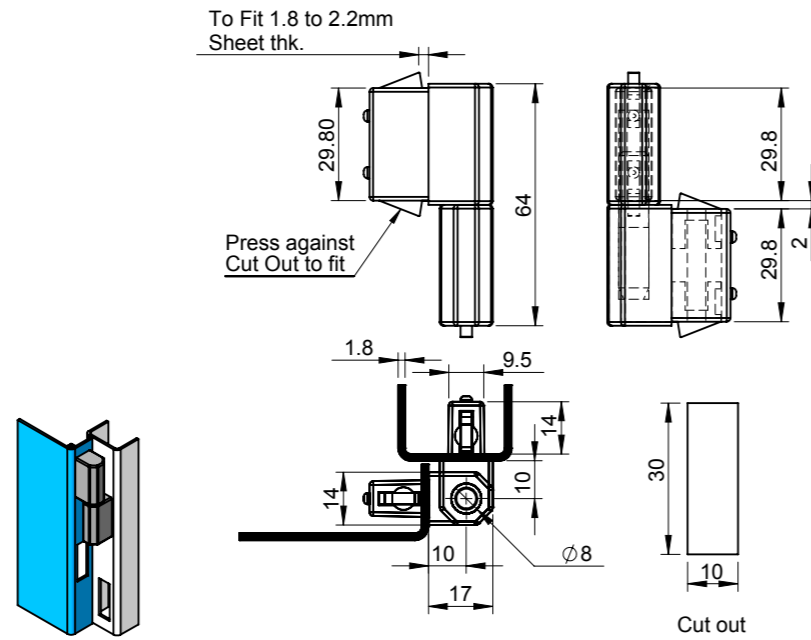


Product Code	Hinge Material	Sheet Thickness	Pin Material	Finish	Opening Angle	Working Load (Kg)	
DHLZC-5064-L	Zinc	1.8 to 2.2	SS-304	Black PC	180°	Ax.:	Ra.:
DHLZC-5064-R	Zinc	1.8 to 2.2	SS-304	Black PC	180°	Ax.:	Ra.:

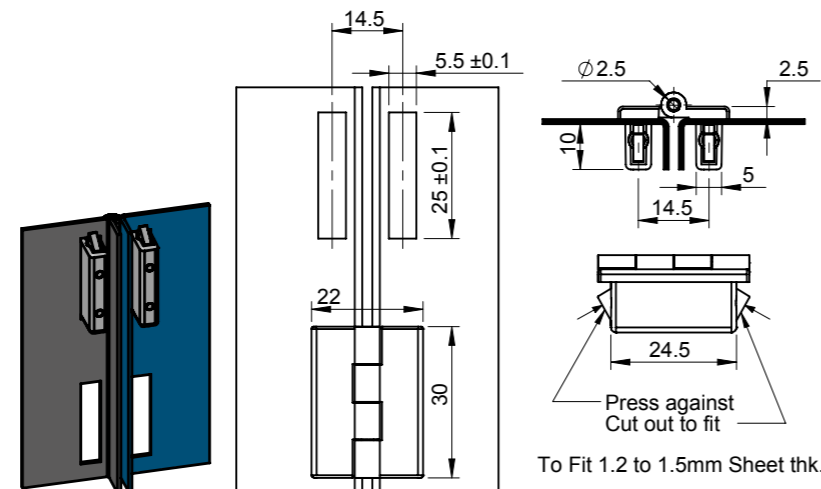
Hinges

Lift off Hinge-Clip Fit : Zinc Die Cast

For Sales in India



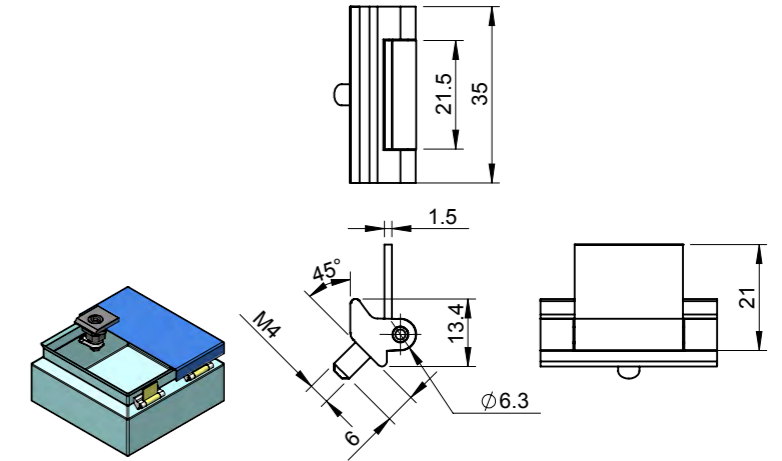
Product Code	Hinge Material	Sheet Thickness	Pin Material	Finish	Opening Angle	Working Load (Kg)	
DHLZC-1564	Zinc	1.8 to 2.2	SS-304	Black PC	180°	Ax.:	Ra.:



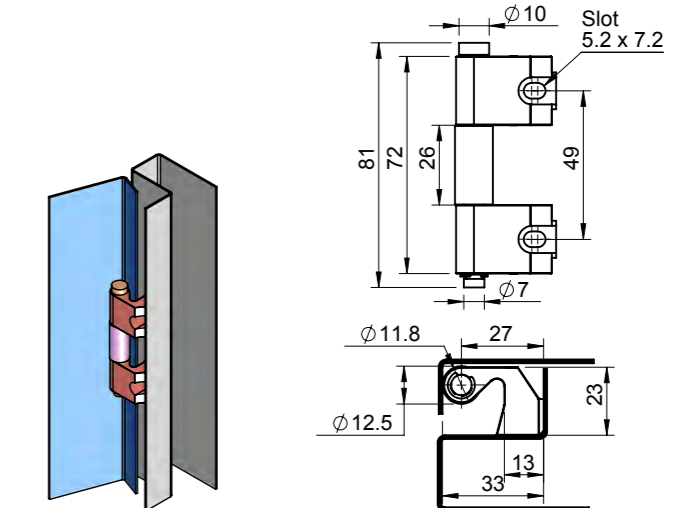
Product Code	Hinge Material	Sheet Thickness	Pin Material	Finish	Opening Angle	Working Load (Kg)	
DHFMC-2230	Zinc	1.2 to 1.5	SS-304	Black PC	180°	Ax.:	Ra.:

Hinges

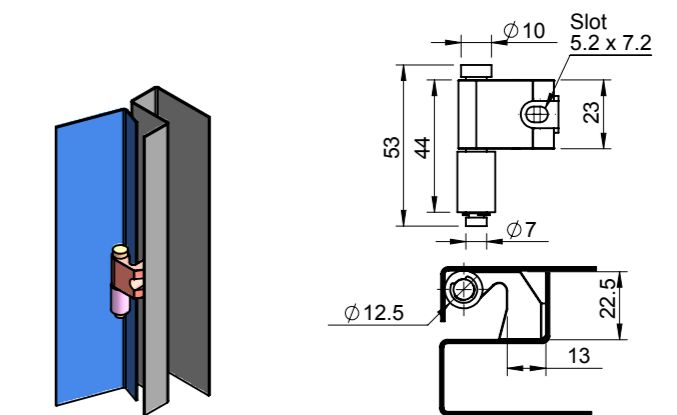
Concealed Hinge : Zinc Die Cast



Product Code	Outer Material	Inner Material	Pin Material	Outer Finish	Inner Finish	Opening Angle	Working Load (Kg)	
DHIZ-3521	Zinc	MS	MS	Sand Blasting	Yellow Zinc	180°	Ax.:	Ra.:



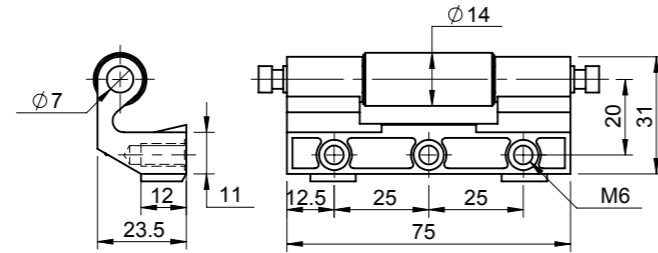
Product Code	Hinge Material	Pin Material	Finish	Opening Angle	Working Load (Kg)	
DHIZ-3475	Zinc	MS	Sand Blasting	110°	Ax.:	Ra.:



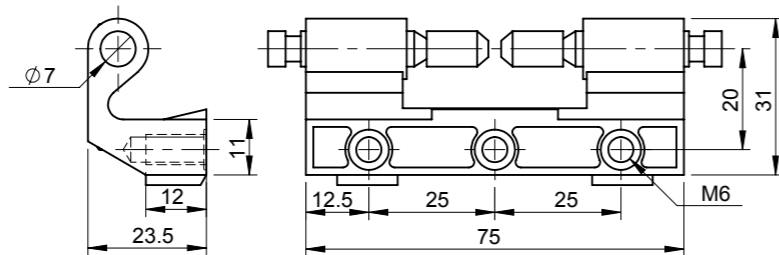
Product Code	Hinge Material	Pin Material	Finish	Opening Angle	Working Load (Kg)	
DHIZ-3450	Zinc	MS	Sand Blasting	110°	Ax.:	Ra.:

Hinges

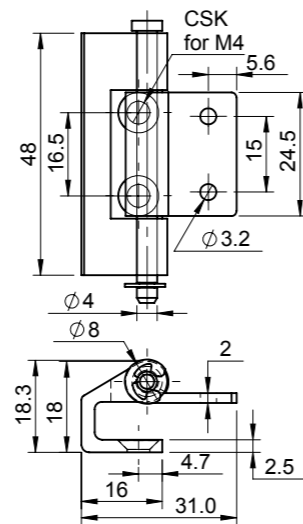
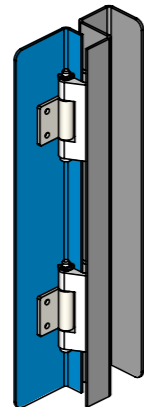
Concealed Hinge : Zinc Die Cast



Product Code	Hinge Material	Pin Material	Finish	Opening Angle	Working Load (Kg)	
DBR-7534-Z	Zinc	MS	Sand Blasting	180°	Ax.:	Ra.:



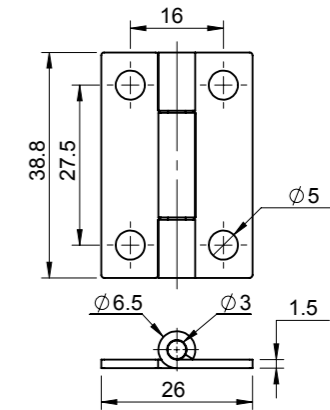
Product Code	Hinge Material	Pin Material	Finish	Opening Angle	Working Load (Kg)	
DB-7534-Z	Zinc	MS	Sand Blasting	180°	Ax.:	Ra.:



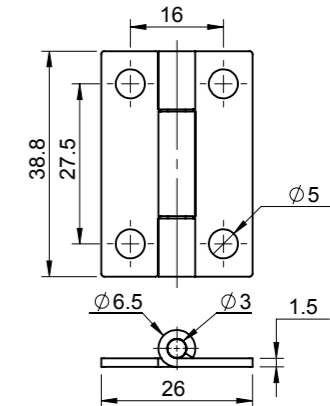
Product Code	Hinge Material	Pin Material	Finish	Opening Angle	Working Load (Kg)	
DHIZ-4818-BZ	Zinc + MS	MS	Blue Zinc	180°	Ax.:	Ra.:

Hinges

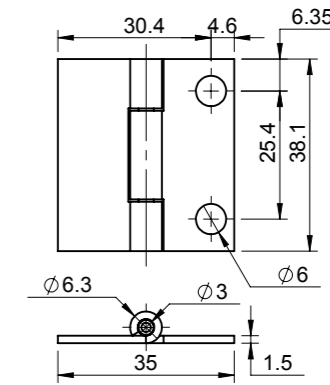
Flat Hinges : Mild Steel



Product Code	Hinge Material	Pin Material	Finish	Opening Angle	Working Load (Kg)	
DHIM-3826	MS	SS-304	Nickel	180°	Ax.:	Ra.:



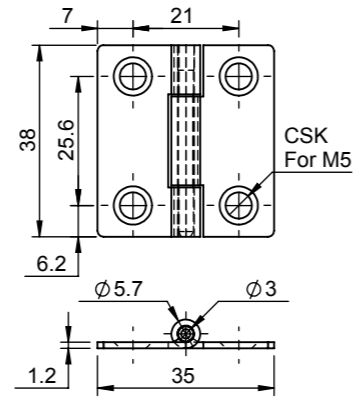
Product Code	Hinge Material	Pin Material	Finish	Opening Angle	Working Load (Kg)	
DHIM-3826-PC	MS	SS-304	Black PC	180°	Ax.:	Ra.:



Product Code	Hinge Material	Pin Material	Finish	Opening Angle	Working Load (Kg)	
DHIM-3835	MS	SS-304	Yellow Zinc	180°	Ax.: 23	Ra.: 16

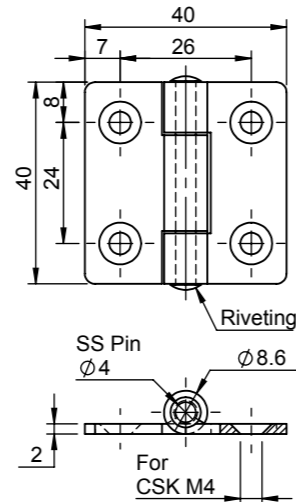
Hinges

Flat Hinges : Mild Steel

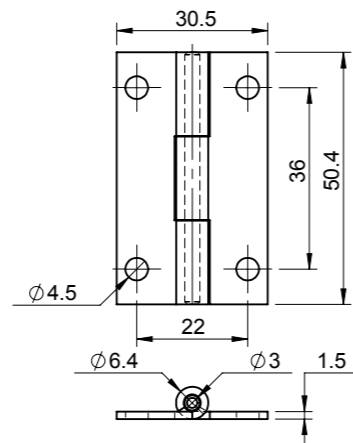


2020

Product Code	Hinge Material	Pin Material	Finish	Opening Angle	Working Load (Kg)	
DHIM-3835-1.2	MS	SS-304	Yellow Zinc	180°	Ax.:	Ra.:



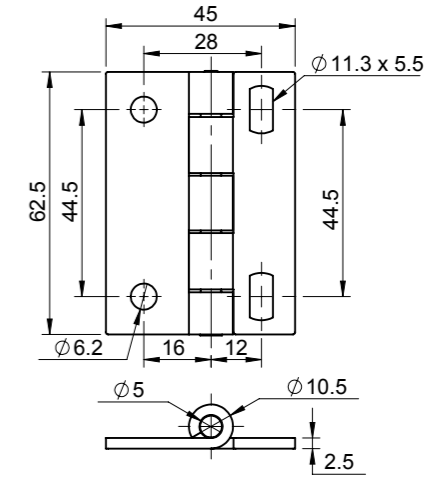
Product Code	Hinge Material	Pin Material	Opening Angle	Finish	Working Load (Kg)	
DHIM-40-BZ	MS	SS-304	180°	Blue Zinc	Ax.:	Ra.:



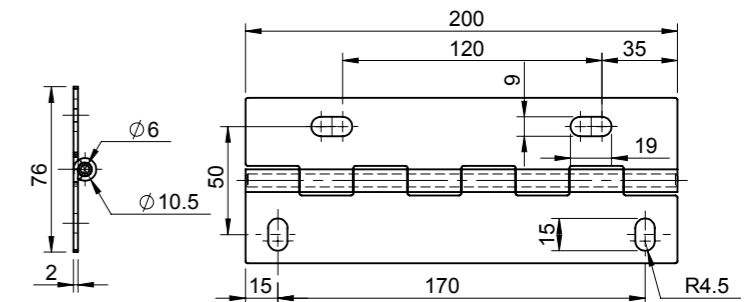
Product Code	Hinge Material	Pin Material	Finish	Opening Angle	Working Load (Kg)	
DHIM-5030	MS	SS-304	Yellow Zinc	180°	Ax.:	Ra.:

Hinges

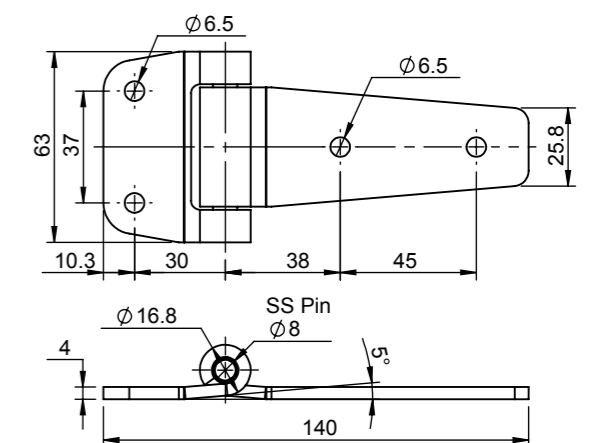
Flat Hinges : Mild Steel



Product Code	Hinge Material	Pin Material	Finish	Opening Angle	Working Load (Kg)	
DHIM-6346	MS	SS-304	Yellow Zinc	180°	Ax.: 75	Ra.: 15



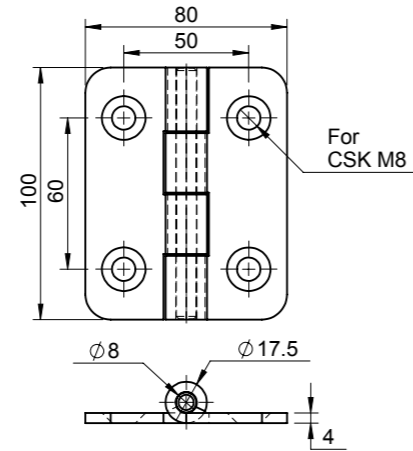
Product Code	Hinge Material	Pin Material	Finish	Opening Angle	Working Load (Kg)	
DHIM-20076	MS	SS-304	BZ	180°	Ax.: 107	Ra.: 55



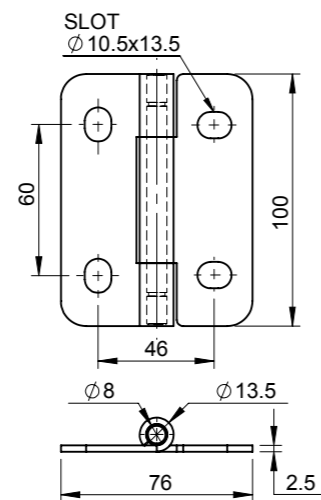
Product Code	Hinge Material	Pin Material	Opening Angle	Finish	Working Load (Kg)	
DHIM-63140-PC	MS	SS-304	180°	Black PC	Ax.:	Ra.:

Hinges

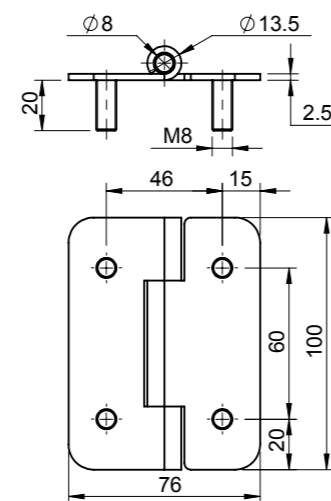
Flat Hinges : Mild Steel



Product Code	Hinge Material	Pin Material	Finish	Opening Angle	Working Load (Kg)	
DHIM-10080-PC	MS	SS-202	Black PC	180°	Ax.: 100	Ra.: 55



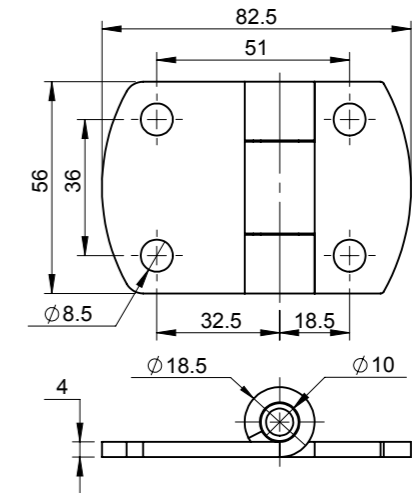
Product Code	Hinge Material	Pin Material	Finish	Opening Angle	Working Load (Kg)	
DHIM-10076-PC	MS	SS-304	Black PC	180°	Ax.:	Ra.:



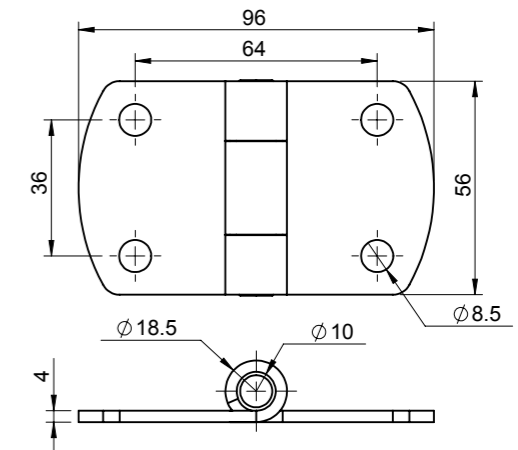
Product Code	Hinge Material	Pin Material	Finish	Opening Angle	Working Load (Kg)	
DHIM-10076-SW8-PC	MS	SS-304	Black PC	180°	Ax.: 116	Ra.: 87

Hinges

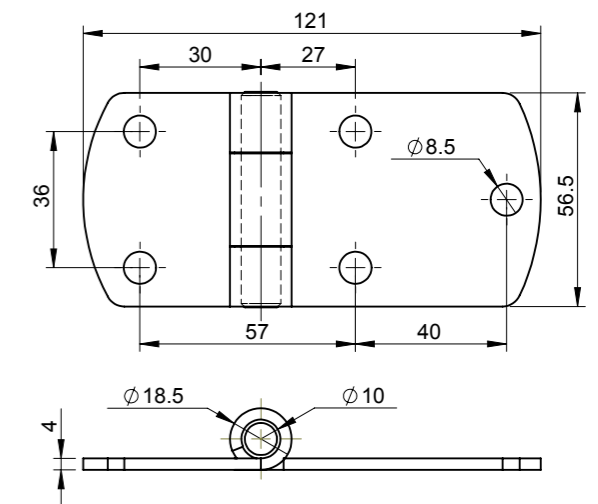
Flat Hinges : Mild Steel



Product Code	Hinge Material	Pin Material	Finish	Opening Angle	Working Load (Kg)	
DHIM-5136-CH	MS	SS-304	Chrome	180°	Ax.: 208	Ra.: 103



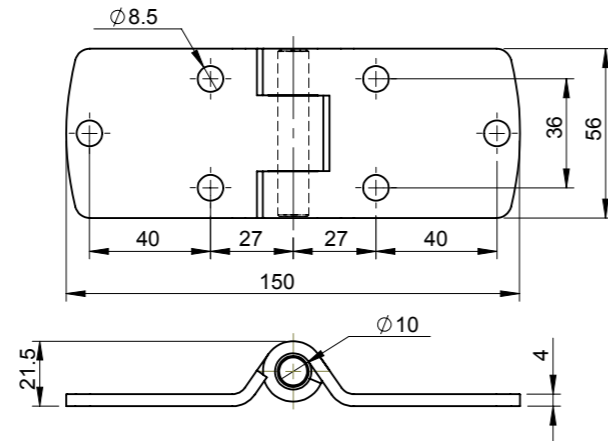
Product Code	Hinge Material	Pin Material	Finish	Opening Angle	Working Load (Kg)	
DHIM-6536-CH	MS	SS-304	Chrome	180°	Ax.: 77	Ra.: 57



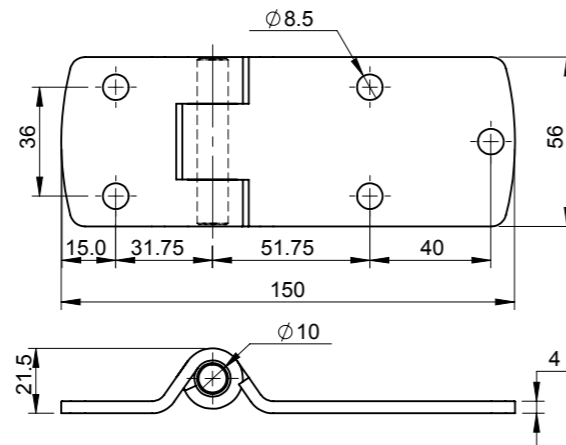
Product Code	Hinge Material	Pin Material	Finish	Opening Angle	Working Load (Kg)	
DHIM-10036-CH	MS	SS-304	Chrome	180°	Ax.: 78	Ra.: 43
DHIM-10036-PC	MS	SS-304	Black PC	180°	Ax.: 78	Ra.: 43

Hinges

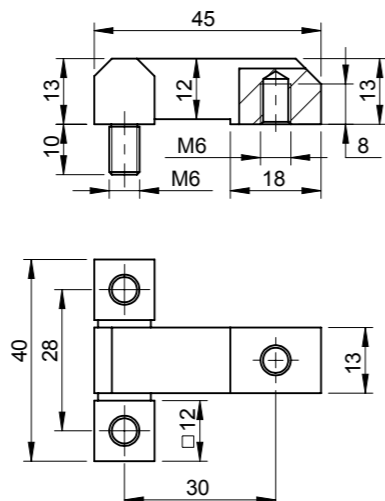
Flat Hinges : Mild Steel



Product Code	Hinge Material	Pin Material	Finish	Opening Angle	Working Load (Kg)	
DHIM-7575-CH	MS	SS-304	Chrome	180°	Ax.: 56	Ra.: 51



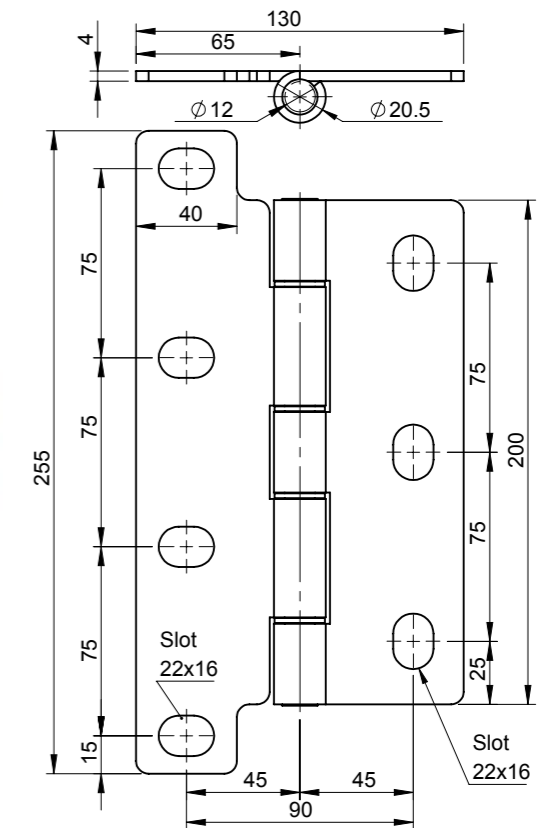
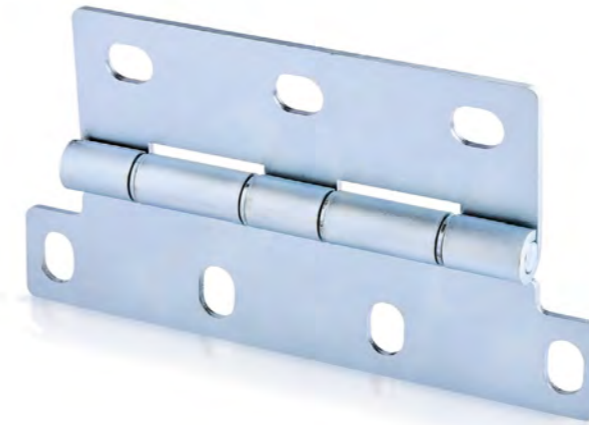
Product Code	Hinge Material	Pin Material	Finish	Opening Angle	Working Load (Kg)	
DHIM-10550-CH	MS	SS-304	Chrome	180°	Ax.: 36	Ra.: 58



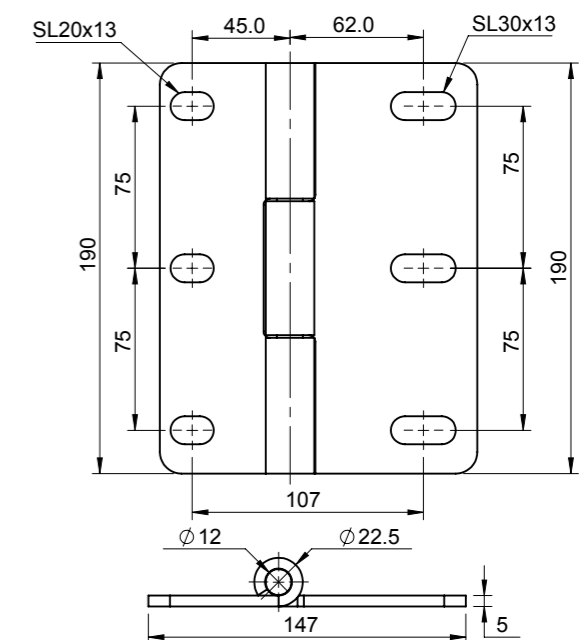
Product Code	Hinge Material	Pin Material	Finish	Opening Angle	Working Load (Kg)	
DHIM-3040	MS	SS-304	BZ	180°	Ax.:	Ra.:

Hinges

Flat Heavy Duty Hinge : Mild Steel



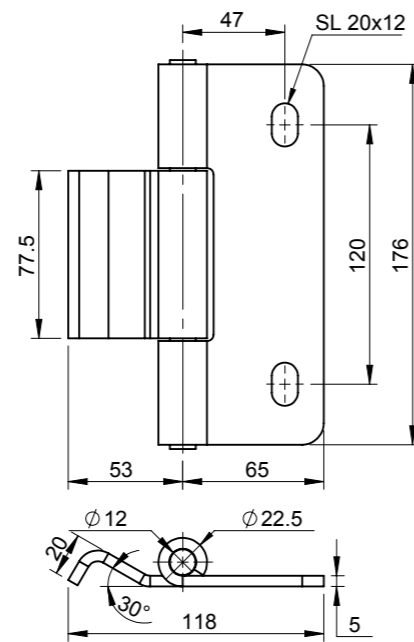
Product Code	Hinge Material	Pin Material	Finish	Opening Angle	Working Load (Kg)	
DHIM-255130	MS	SS-304	Blue Zinc	180°	Ax.:	Ra.:



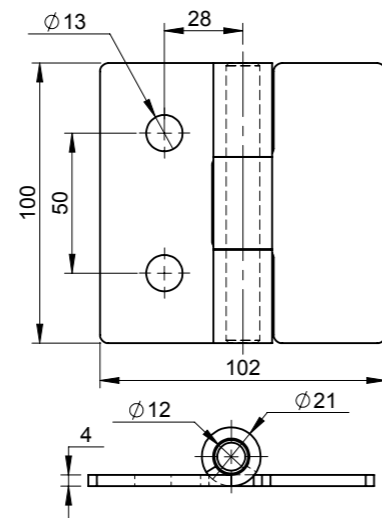
Product Code	Hinge Material	Pin Material	Finish	Opening Angle	Working Load (Kg)	
DHIM-147190	MS	SS-304	Yellow PC	180°	Ax.:	Ra.:

Hinges

Flat Heavy Duty Hinge : Mild Steel



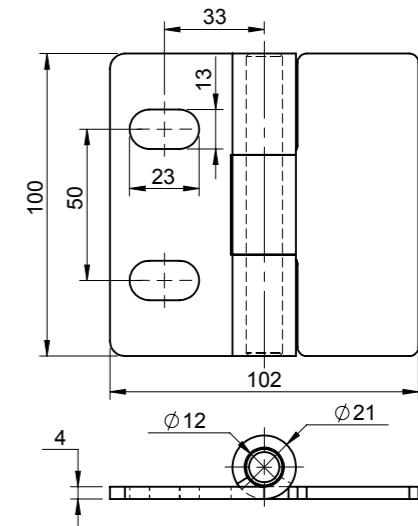
Product Code	Hinge Material	Pin Material	Finish	Opening Angle	Working Load (Kg)	
DHIM-120176	MS	SS-304	Yellow PC	180°	Ax.:	Ra.:



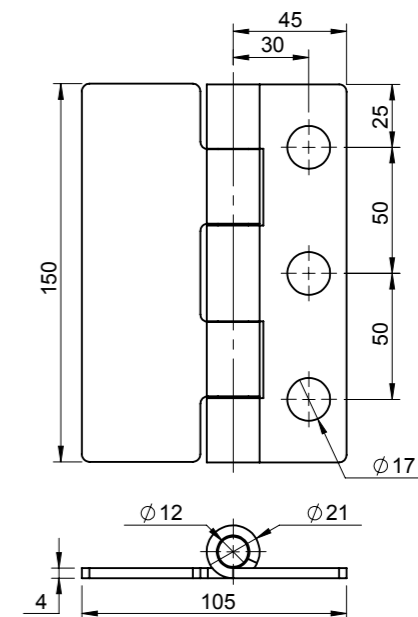
Product Code	Hinge Material	Pin Material	Finish	Opening Angle	Working Load (Kg)	
DHIM-100102	MS	SS-304	Yellow Zinc	180°	Ax.: 107	Ra.: 55

Hinges

Flat Heavy Duty Hinge : Mild Steel



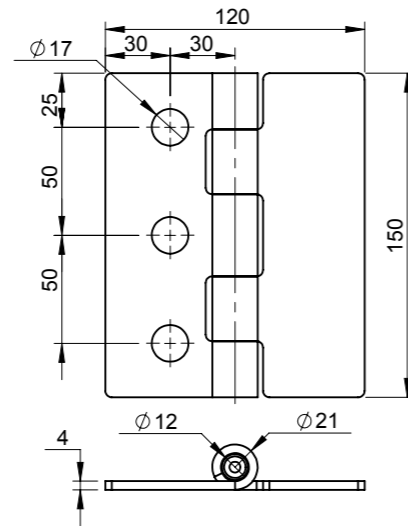
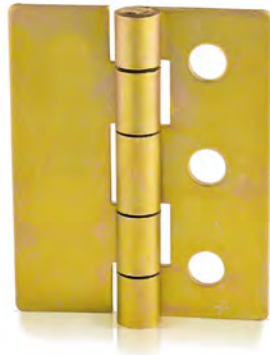
Product Code	Hinge Material	Pin Material	Finish	Opening Angle	Working Load (Kg)	
DHIM-100102-SL	MS	SS-304	Yellow Zinc	180°	Ax.:	Ra.:



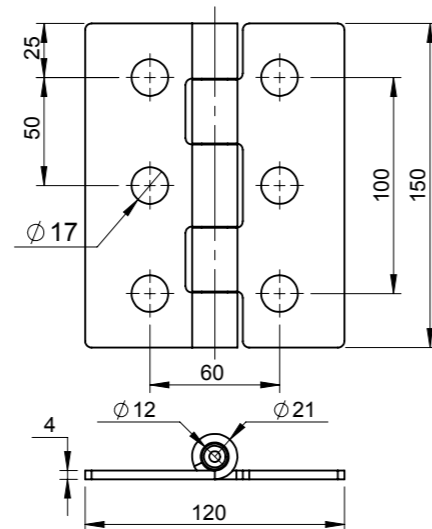
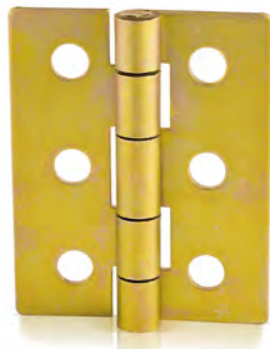
Product Code	Hinge Material	Pin Material	Finish	Opening Angle	Working Load (Kg)	
DHIM-150105	MS	SS-304	Yellow Zinc	180°	Ax.:	Ra.:

Hinges

Flat Heavy Duty Hinge : Mild Steel



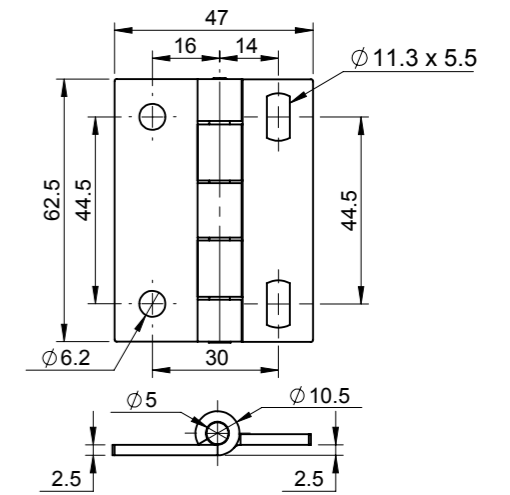
Product Code	Hinge Material	Pin Material	Finish	Opening Angle	Working Load (Kg)	
DHIM-150120	MS	SS-304	Yellow Zinc	180°	Ax.:	Ra.:



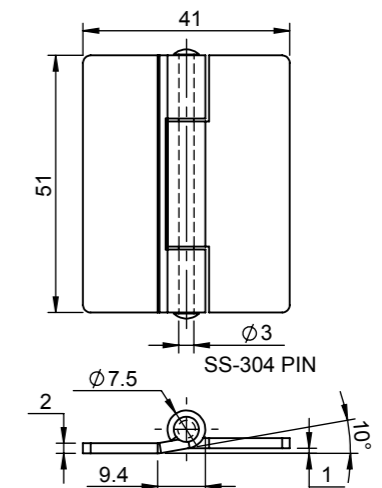
Product Code	Hinge Material	Pin Material	Finish	Opening Angle	Working Load (Kg)	
DHIM-150120-6H	MS	SS-304	Yellow Zinc	180°	Ax.:	Ra.:

Hinges

Offset Hinge : Mild Steel



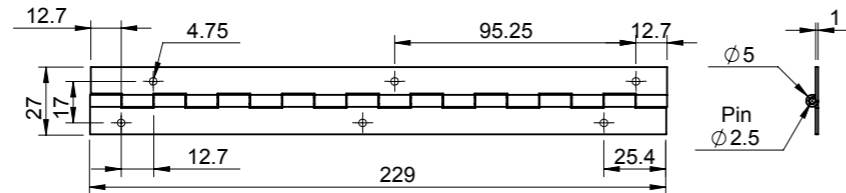
Product Code	Hinge Material	Pin Material	Finish	Opening Angle	Working Load (Kg)	
DHIM-6348	MS	SS-304	Yellow Zinc	180°	Ax.: 58	Ra.: 30



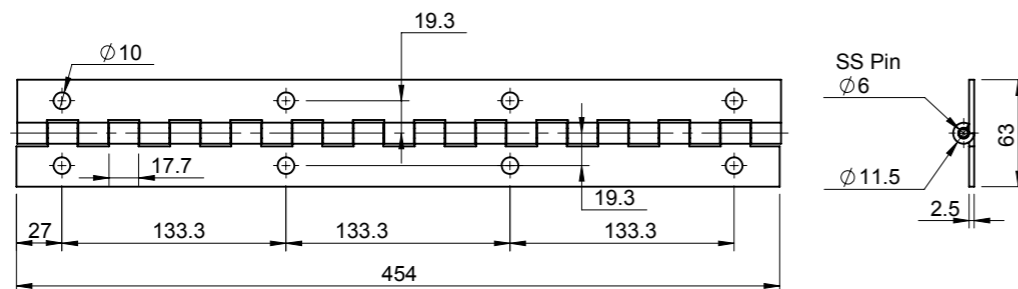
Product Code	Hinge Material	Pin Material	Opening Angle	Finish	Working Load (Kg)	
DHIM-5141	MS	SS	180°	Yellow Zinc	Ax.:	Ra.:

Hinges

Continuous Hinge : Mild Steel



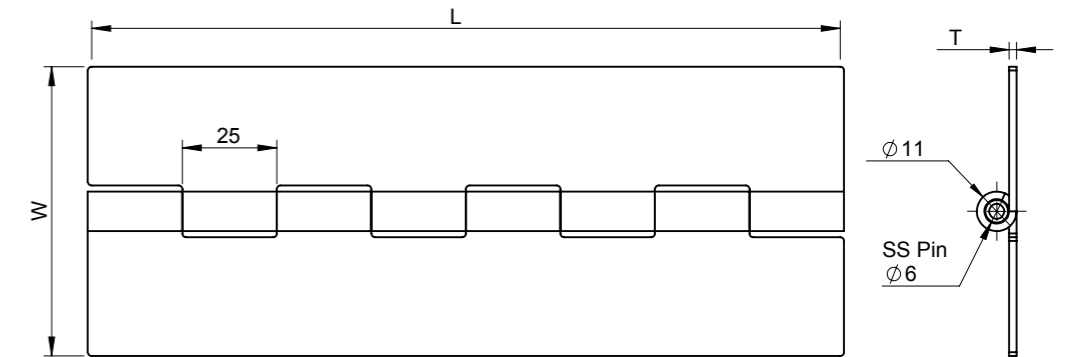
Product Code.	Hinge Material	Pin Material	Finish	Opening Angle	Working Load (Kg)	
DMCH-229-27-17-1	MS	SS-304	Yellow Zinc	180°	Ax.:	Ra.:



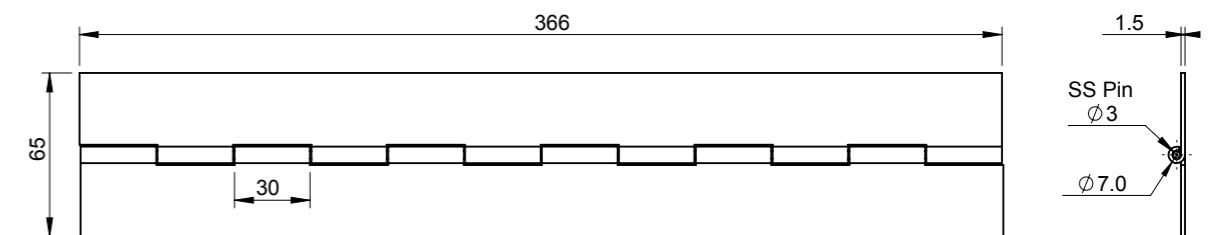
Product Code.	Hinge Material	Pin Material	Finish	Opening Angle	Working Load (Kg)	
DMCH-17.7-454-63-2.5-H	MS	SS-304	Yellow Zinc	180°	Ax.:	Ra.:

Hinges

Continuous Hinge : Mild Steel



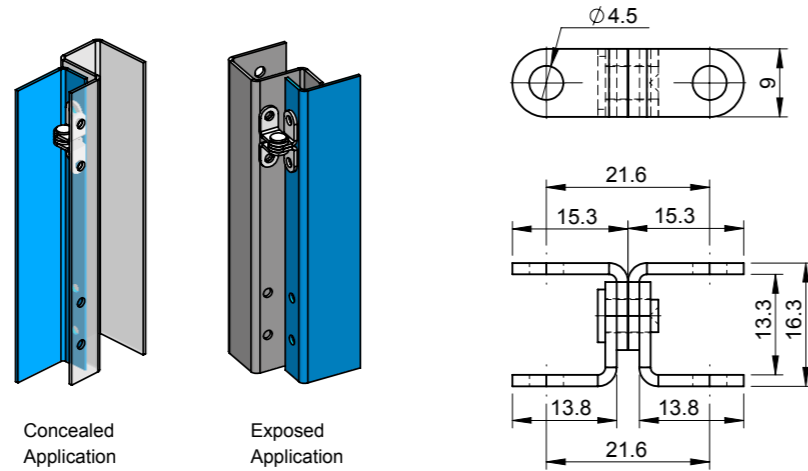
Product Code.	Hinge Material	Width (W)	Thk. in mm (T)	Length (L)	Pin Material	Finish	Opening Angle	Working Load (Kg)	
DMCH-25-275-65-2	MS	65	2	275	SS-304	Yellow Zinc	180°	Ax.:	Ra.:
DMCH-25-1000-60-2	MS	60	2	1000	SS-304	Yellow Zinc	180°	-	



Product Code.	Hinge Material	Pin Material	Finish	Opening Angle	Working Load (Kg)	
DMCH-30-367-65-1.5	MS	SS-304	Yellow Zinc	180°	Ax.:	Ra.:

Hinges

Exposed Hinge : Mild Steel



Product Code	Hinge Material	Pin Material	Finish	Opening Angle	Working Load (Kg)	
DHRM-1630	MS	MS	Blue Zinc	180° Exposed	Ax.:	Ra.:
DHRM-1630	MS	MS	Blue Zinc	90° Concealed	Ax.:	Ra.:

Hinges

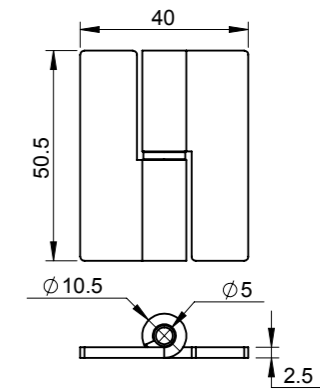
Lift off Hinge : Mild Steel



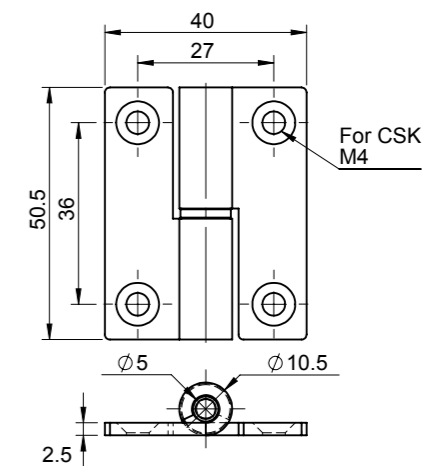
DHLOM-5040-L



DHLOM-5040-R



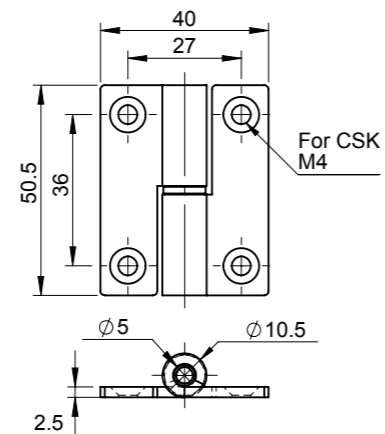
Product Code	Hinge Material	Pin Material	Finish	Opening Angle	Working Load (Kg)	
DHLOM-5040-L	MS	MS	Yellow Zinc	180°	Ax.:	Ra.:
DHLOM-5040-R	MS	MS	Yellow Zinc	180°	Ax.:	Ra.:



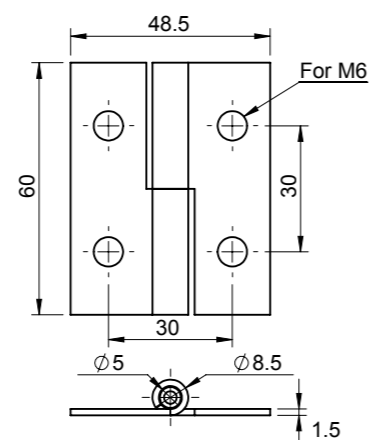
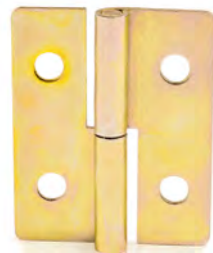
Product Code	Hinge Material	Pin Material	Finish	Opening Angle	Working Load (Kg)	
DHLOM-5040-H-L	MS	MS	Yellow Zinc	180°	Ax.:	Ra.:
DHLOM-5040-H-L-CH	MS	MS	Chrome	180°	Ax.:	Ra.:

Hinges

Lift off Hinge : Mild Steel



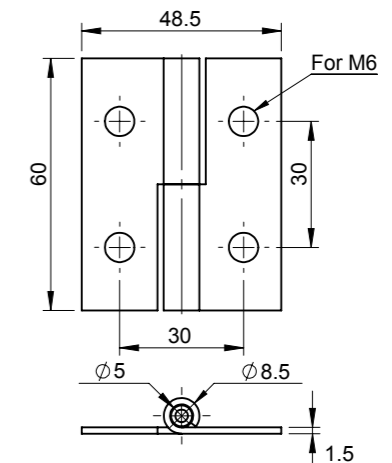
Product Code	Hinge Material	Pin Material	Finish	Opening Angle	Working Load (Kg)	
DHLOM-5040-H-R	MS	MS	Yellow Zinc	180°	Ax.: 07	Ra.: 12
DHLOM-5040-H-R-CH	MS	MS	Chrome	180°	Ax.: 07	Ra.: 12



Product Code	Hinge Material	Pin Material	Finish	Opening Angle	Working Load (Kg)	
DHLOM-6048-L	MS	MS	Yellow Zinc	180°	Ax.: 07	Ra.: 12
DHLOM-6048-L-CH	MS	MS	Chrome	180°	Ax.: 07	Ra.: 12

Hinges

Lift off Hinge : Mild Steel

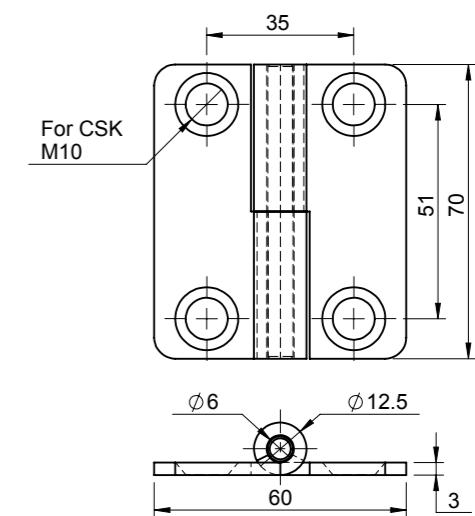


Product Code	Hinge Material	Pin Material	Finish	Opening Angle	Working Load (Kg)	
DHLOM-6048-R	MS	MS	Yellow Zinc	180°	Ax.: 07	Ra.: 12
DHLOM-6048-R-CH	MS	MS	Chrome	180°	Ax.: 07	Ra.: 12



DHLOM-7060-L

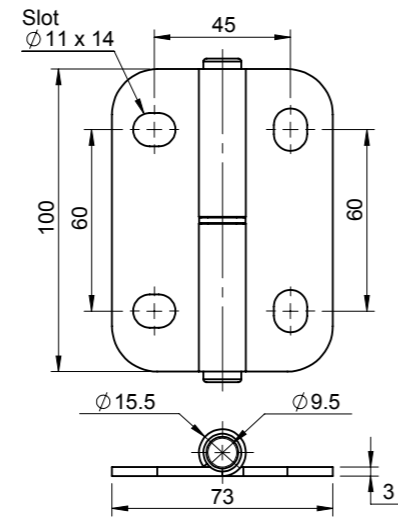
DHLOM-7060-R



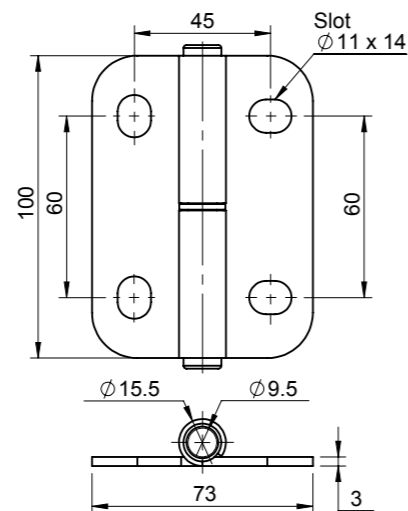
Product Code	Hinge Material	Pin Material	Finish	Opening Angle	Working Load (Kg)	
DHLOM-7060-L	MS	MS	Yellow Zinc	180°	Ax.: 56	Ra.: 40
DHLOM-7060-R	MS	MS	Yellow Zinc	180°	Ax.: 56	Ra.: 40

Hinges

Lift off Hinge : Mild Steel



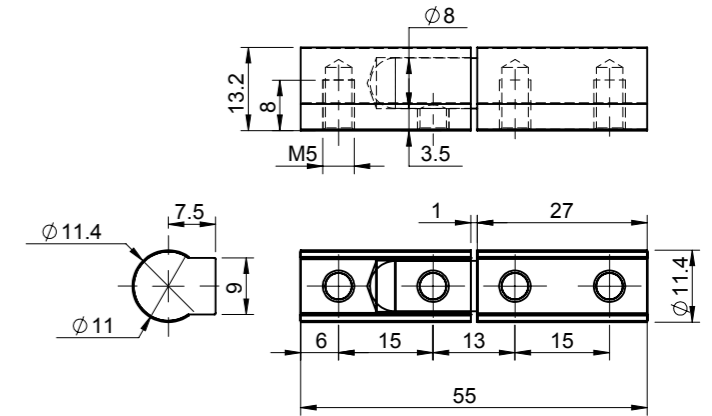
Product Code	Hinge Material	Pin Material	Finish	Opening Angle	Working Load (Kg)	
DHLOM-10073-L-PC	MS	SS-304	Black PC	180°	Ax.: 106	Ra.: 102



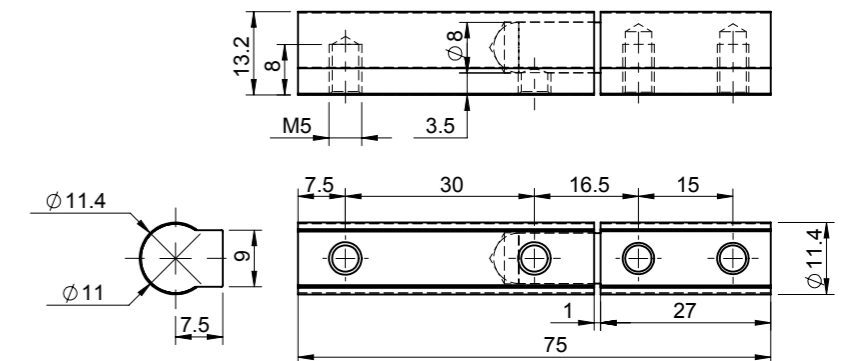
Product Code	Hinge Material	Pin Material	Finish	Opening Angle	Working Load (Kg)	
DHLOM-10073-R-PC	MS	SS-304	Black PC	180°	Ax.: 106	Ra.: 102

Hinges

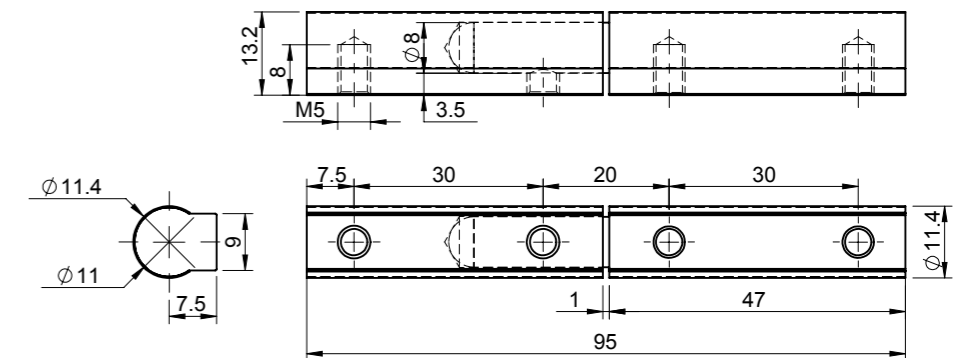
Lift off Hinge : Mild Steel



Product Code	Hinge Material	Cover Material	Finish	Opening Angle	Working Load (Kg)	
DMLOH-1155-BZ	MS	SS-316 (Chrome)	Blue Zinc	180°	Ax.:	Ra.:



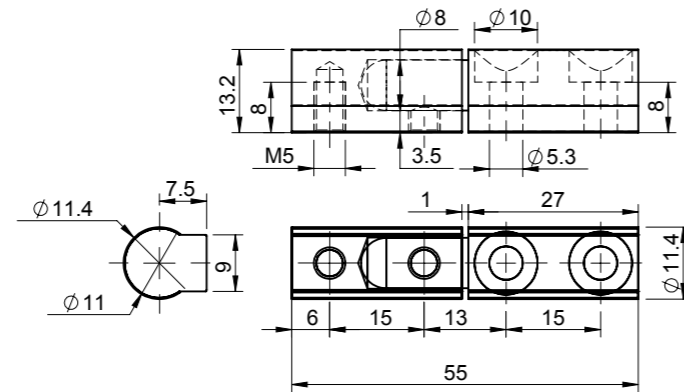
Product Code	Hinge Material	Cover Material	Finish	Opening Angle	Working Load (Kg)	
DMLOH-1175-BZ	MS	SS-316 (Chrome)	Blue Zinc	180°	Ax.:	Ra.:



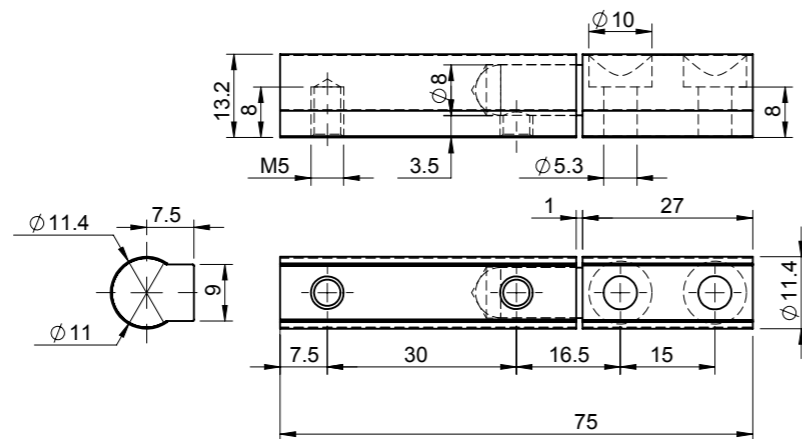
Product Code	Hinge Material	Cover Material	Finish	Opening Angle	Working Load (Kg)	
DMLOH-1195-BZ	MS	SS-316 (Chrome)	Blue Zinc	180°	Ax.: 52	Ra.:

Hinges

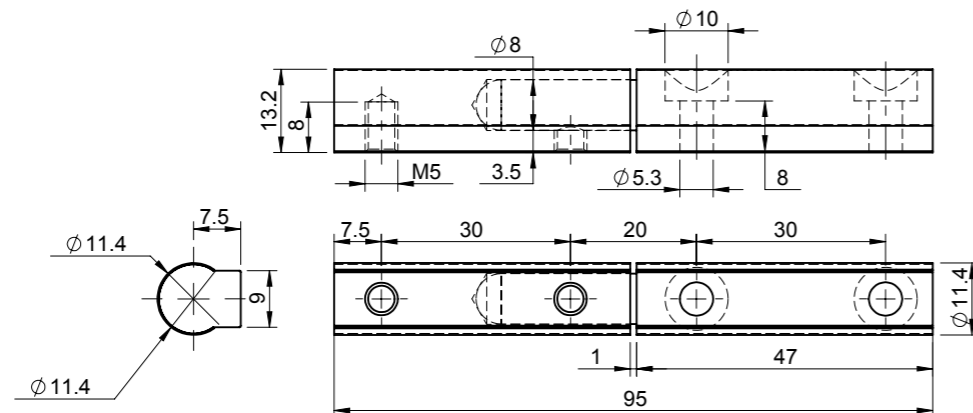
Lift off Hinge : Mild Steel



Product Code	Hinge Material	Cover Material	Finish	Opening Angle	Working Load (Kg)	
DMLOH-1155-H-BZ	MS	SS-316 (Chrome)	Blue Zinc	180°	Ax.:	Ra.:



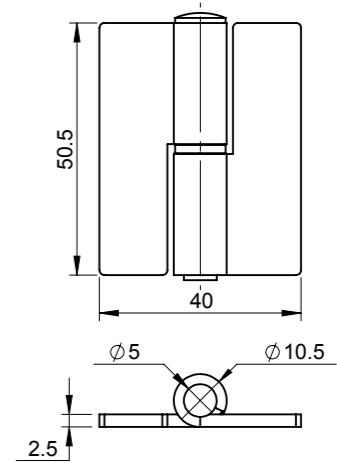
Product Code	Hinge Material	Cover Material	Finish	Opening Angle	Working Load (Kg)	
DMLOH-1175-H-BZ	MS	SS-316 (Chrome)	Blue Zinc	180°	Ax.: 49	Ra.:



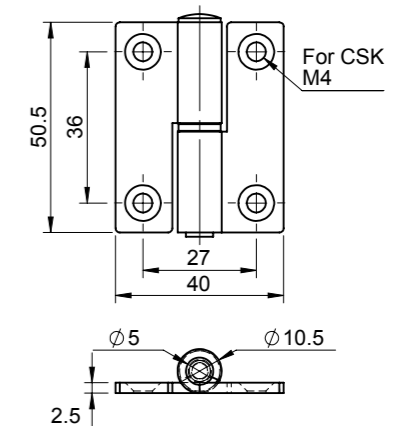
Product Code	Hinge Material	Cover Material	Finish	Opening Angle	Working Load (Kg)	
DMLOH-1195-H-BZ	MS	SS-316 (Chrome)	Blue Zinc	180°	Ax.:	Ra.:

Hinges

Fixed Hinge : Mild Steel



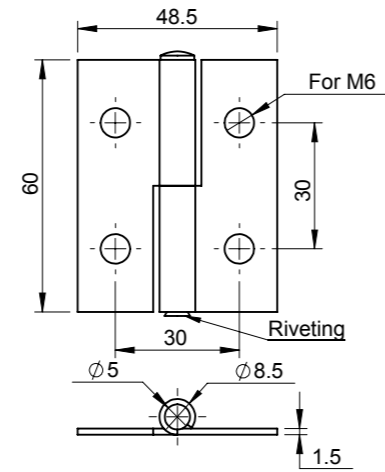
Product Code	Hinge Material	Pin Material	Finish	Opening Angle	Working Load (Kg)	
DHIMF-5040	MS	MS	Yellow Zinc	180°	Ax.:	Ra.:



Product Code	Hinge Material	Pin Material	Finish	Opening Angle	Working Load (Kg)	
DHIMF-5040-H-CH	MS	MS	Chrome	180°	Ax.: 20	Ra.: 60

Hinges

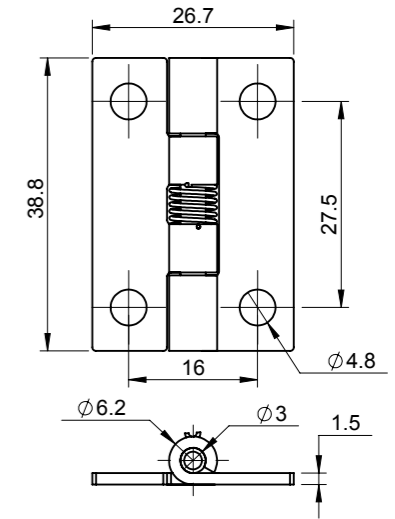
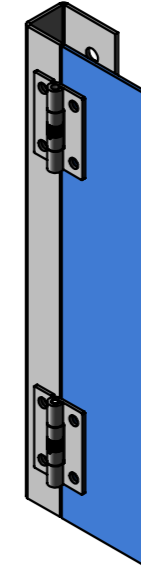
Fixed Hinge : Mild Steel



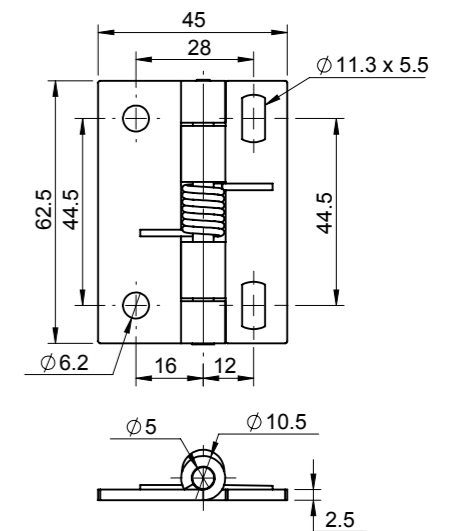
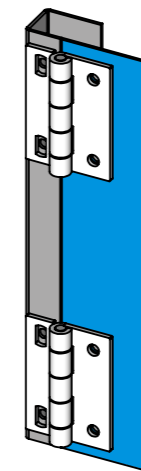
Product Code	Hinge Material	Pin Material	Finish	Opening Angle	Working Load (Kg)	
DHIMF-6048	MS	MS	Yellow Zinc	180°	Ax.: 09	Ra.: 09

Hinges

Spring Return Hinge : Mild Steel



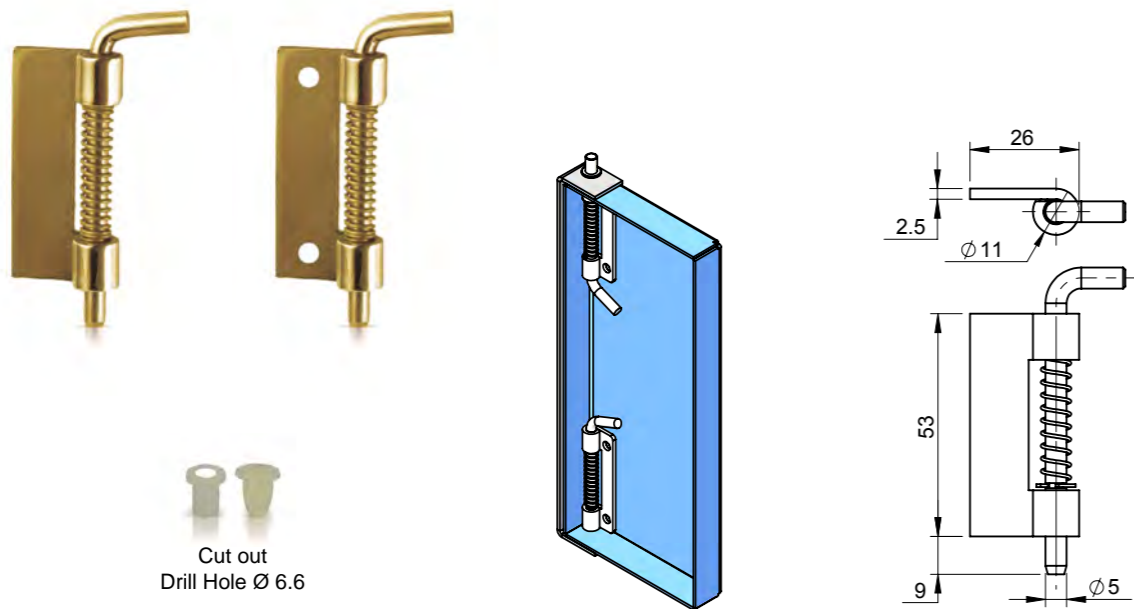
Product Code	Hinge Material	Pin Material	Finish	Opening Angle	Working Load (Kg)	
DHSM-3826	MS	SS-304	Nickel	110°	Ax.:	Ra.:



Product Code	Hinge Material	Pin Material	Finish	Opening Angle	Working Load (Kg)	
DHSM-6346	MS	SS-304	Yellow Zinc	110°	Ax.: 25	Ra.: 23

Hinges

Spring Hinge : Mild Steel

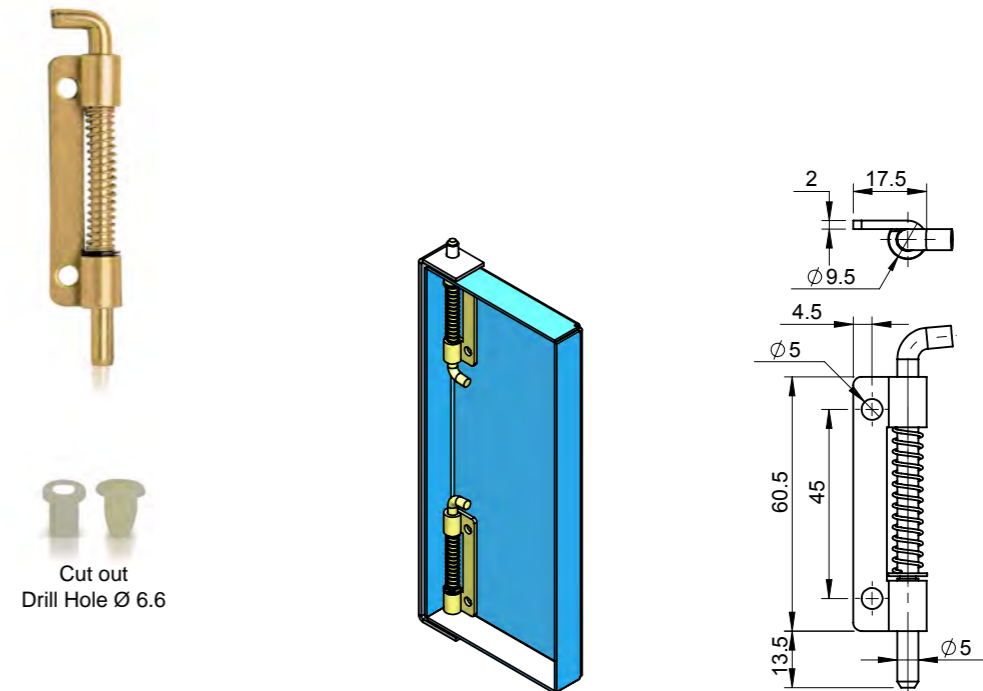


Product Code	Hinge Material	Finish	Pin Material	Description	Working Load (Kg)	
DSHI-L	MS	Yellow Zinc	MS	-	Ax.:	Ra.:
DSHI-B-L	MS	Yellow Zinc	MS	With Bush	Ax.:	Ra.:
DSHIH-L	MS	Yellow Zinc	MS	With Hole	Ax.:	Ra.:
DSHIH-B-L	MS	Yellow Zinc	MS	With Hole & Bush	Ax.:	Ra.:

Bush are sold only with Hinges

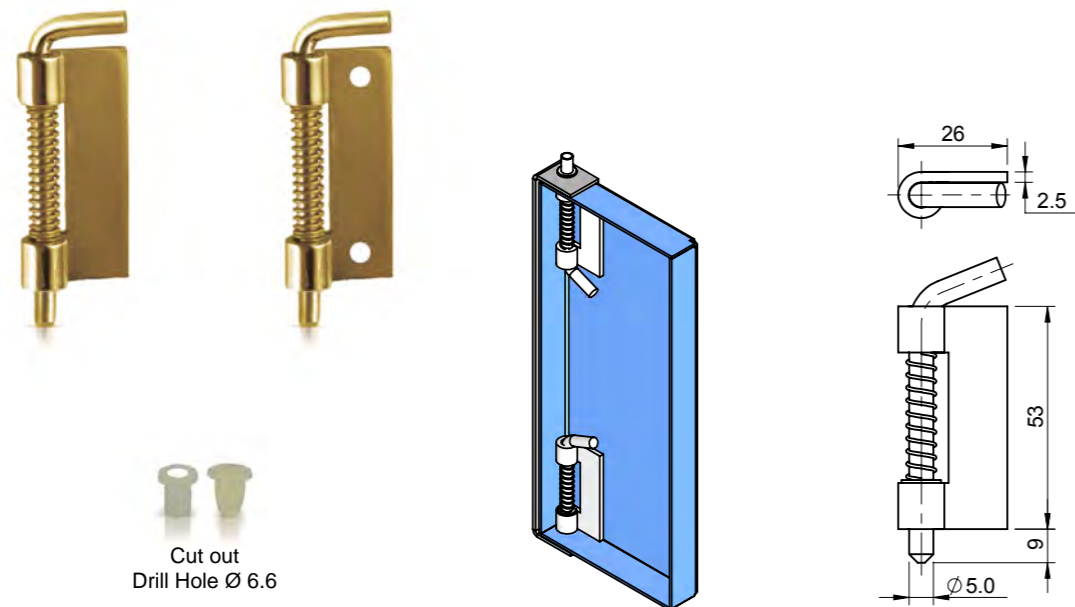
Hinges

Spring Hinge : Mild Steel



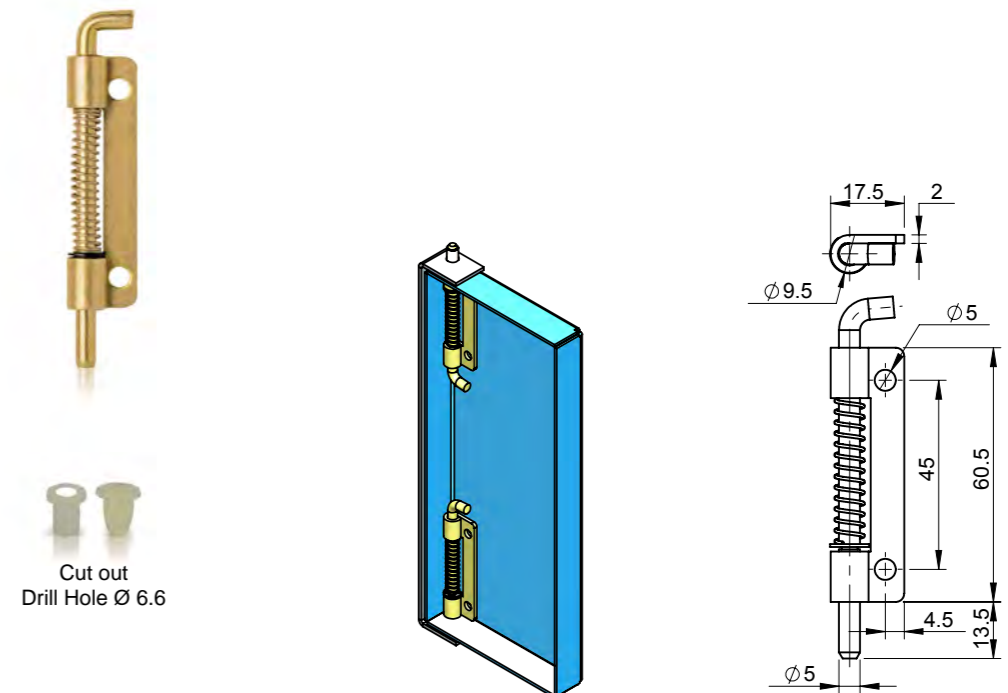
Product Code	Hinge Material	Finish	Pin Material	Description	Working Load (Kg)	
DSHI-2-L	MS	Yellow Zinc	MS	-	Ax.:	Ra.:
DSHI-2B-L	MS	Yellow Zinc	MS	With Bush	Ax.:	Ra.:

Bush are sold only with Hinges



Product Code	Hinge Material	Finish	Pin Material	Description	Working Load (Kg)	
DSHI-R	MS	Yellow Zinc	MS	-	Ax.:	Ra.:
DSHI-B-R	MS	Yellow Zinc	MS	With Bush	Ax.:	Ra.:
DSHIH-R	MS	Yellow Zinc	MS	With Hole	Ax.:	Ra.:
DSHIH-B-R	MS	Yellow Zinc	MS	With Hole & Bush	Ax.:	Ra.:

Bush are sold only with Hinges



Product Code	Hinge Material	Finish	Pin Material	Description	Working Load (Kg)	
DSHI-2-R	MS	Yellow Zinc	MS	-	Ax.:	Ra.:
DSHI-2B-R	MS	Yellow Zinc	MS	With Bush	Ax.:	Ra.:

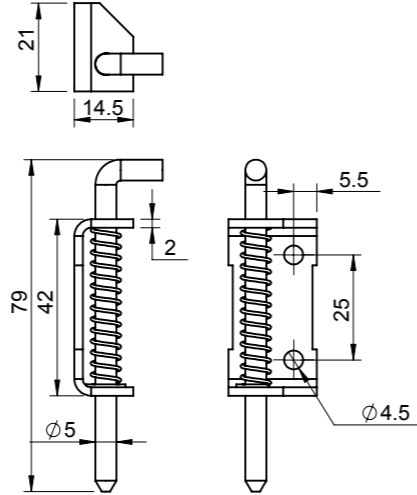
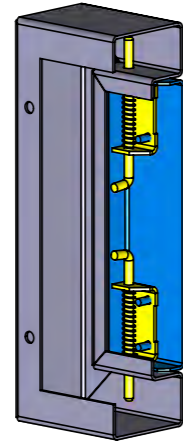
Bush are sold only with Hinges

Hinges

Spring Hinge : Mild Steel



Cut out
Drill Hole Ø 6.6

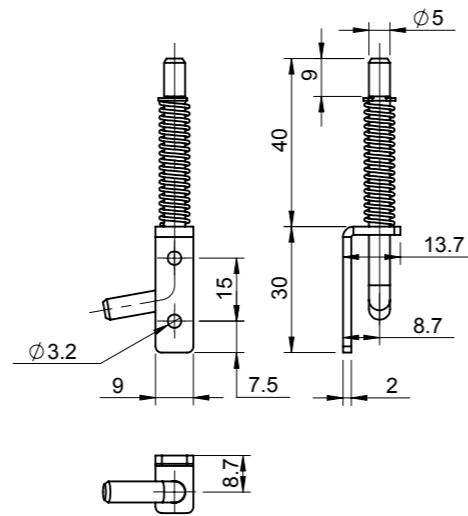
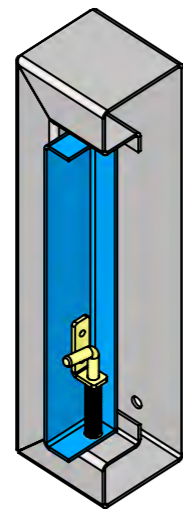


Product Code	Hinge Material	Finish	Pin Material	Description	Working Load (Kg)	
					Ax.:	Ra.:
DSHI-3	MS	Yellow Zinc	MS	-	Ax.:	Ra.:
DSHI-3B	MS	Yellow Zinc	MS	With Bush	Ax.:	Ra.:

Bush are sold only with Hinges



Cut out
Drill Hole Ø 6.6

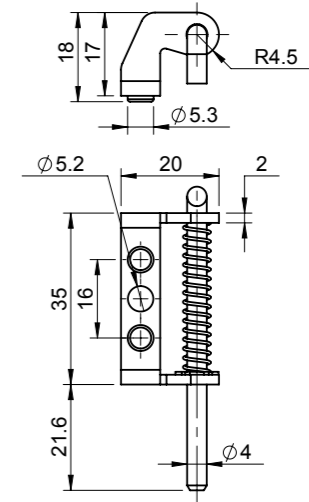


Product Code	Hinge Material	Finish	Pin Material	Description	Working Load (Kg)	
					Ax.:	Ra.:
DSHI-4	MS	Yellow Zinc	MS	-	Ax.:	Ra.:
DSHI-4B	MS	Yellow Zinc	MS	With Bush	Ax.:	Ra.:

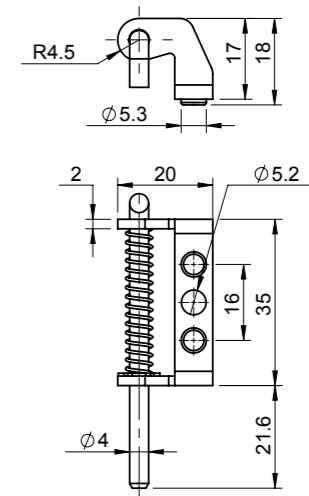
Bush are sold only with Hinges

Hinges

Spring Hinge : Mild Steel



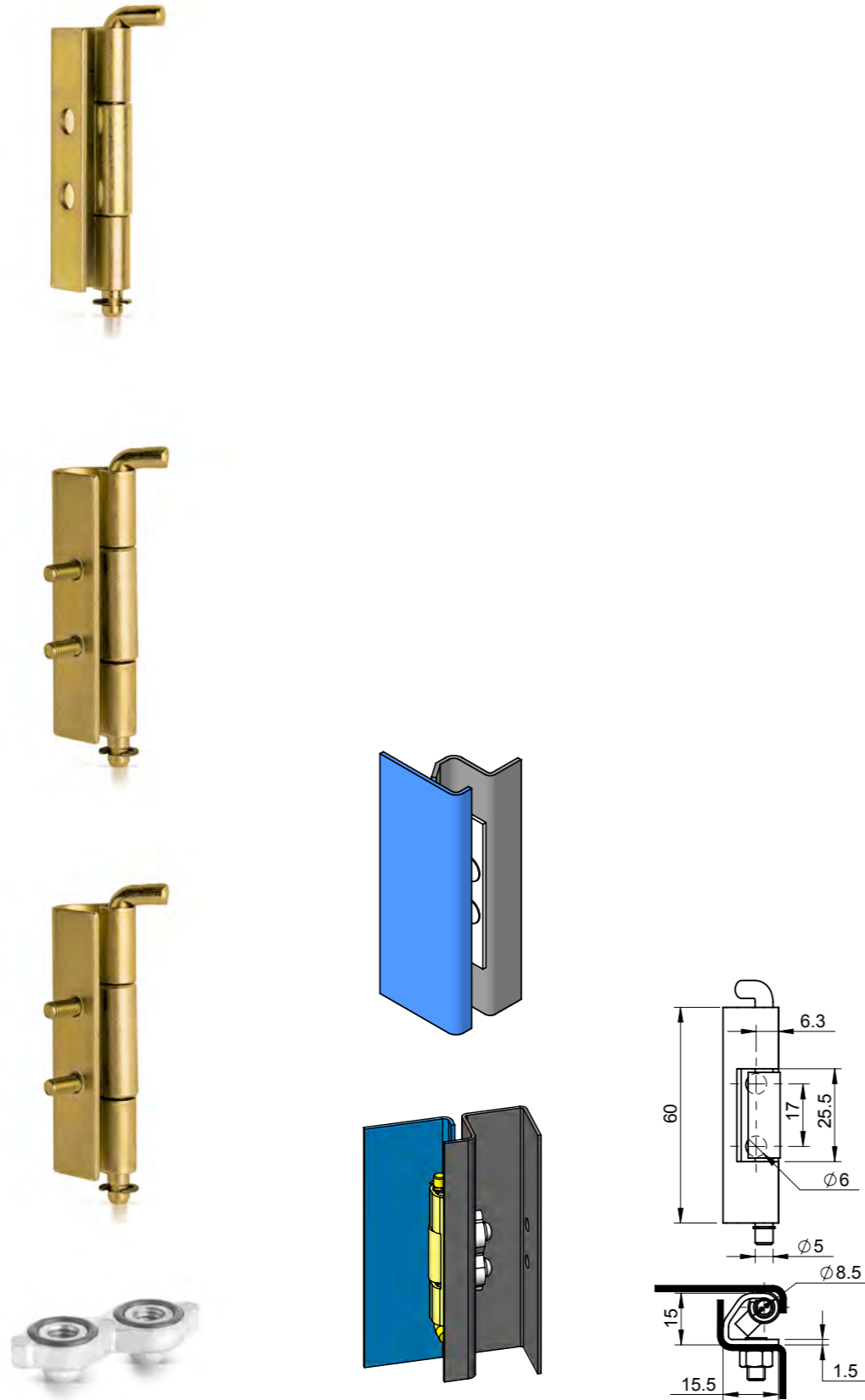
Product Code	Hinge Material	Pin Material	Finish	Working Load (Kg)	
				Ax.:	Ra.:
DSHI-10-BZ-L	MS	MS	Blue Zinc	Ax.: 10	Ra.:



Product Code	Hinge Material	Pin Material	Finish	Working Load (Kg)	
				Ax.:	Ra.:
DSHI-10-BZ-R	MS	MS	Blue Zinc	Ax.: 10	Ra.:

Hinges

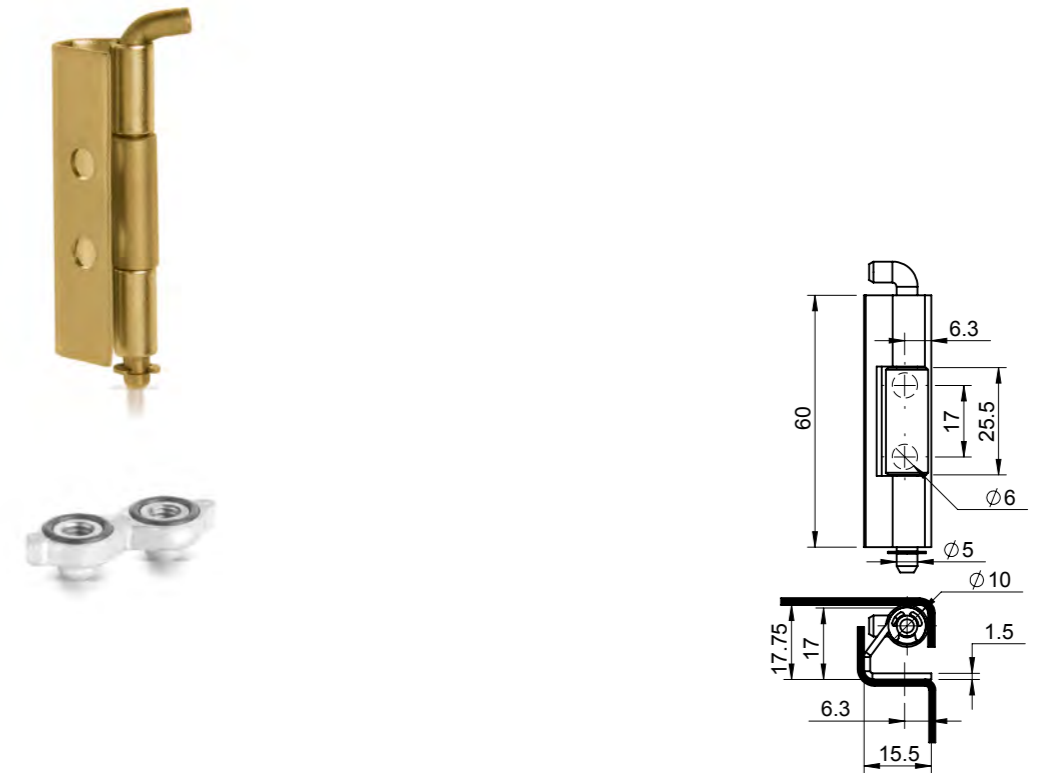
Concealed Hinge : Mild Steel



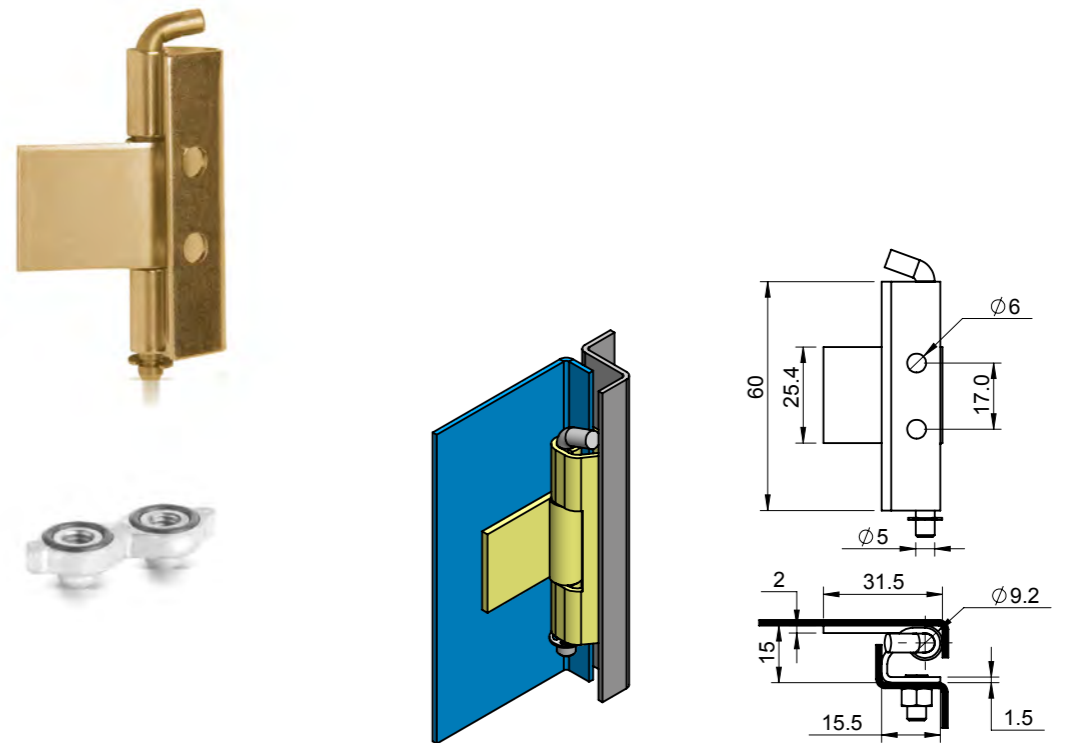
Product Code	Hinge Material	Pin Material	Finish	Opening Angle	IP Mount (Optional)	Working Load (Kg)	
DHIM-6015-AR	MS	MS	Yellow Zinc	90°	CD-17-M6	Ax.:	Ra.:
DHIM-6015-AR-M4	MS	MS	Yellow Zinc	90°		Ax.:	Ra.:
DHIM-6015-AR-M6	MS	MS	Yellow Zinc	90°		Ax.:	Ra.:

Hinges

Concealed Hinge : Mild Steel



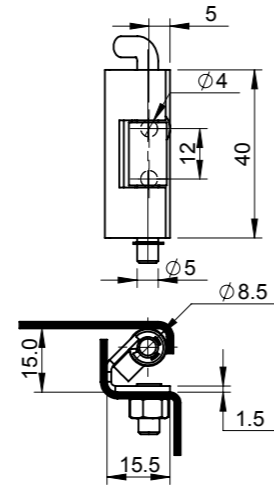
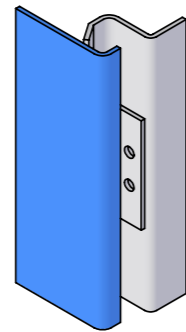
Product Code	Hinge Material	Pin Material	Finish	Opening Angle	IP Mount (Optional)	Working Load (Kg)	
DHIM-6015-AR10	MS	MS	Yellow Zinc	90°	CD-17-M6	Ax.:	Ra.:



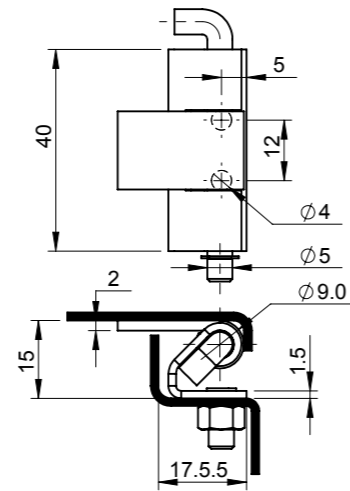
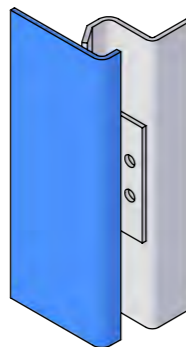
Product Code	Hinge Material	Pin Material	Finish	Opening Angle	IP Mount (Optional)	Working Load (Kg)	
DHIM-6015-AW	MS	MS	Yellow Zinc	90°	CD-17-M6	Ax.:	Ra.:
DHIM-6015-AW-BZ	MS	MS	Blue Zinc	90°	CD-17-M6	Ax.:	Ra.:

Hinges

Concealed Hinge : Mild Steel



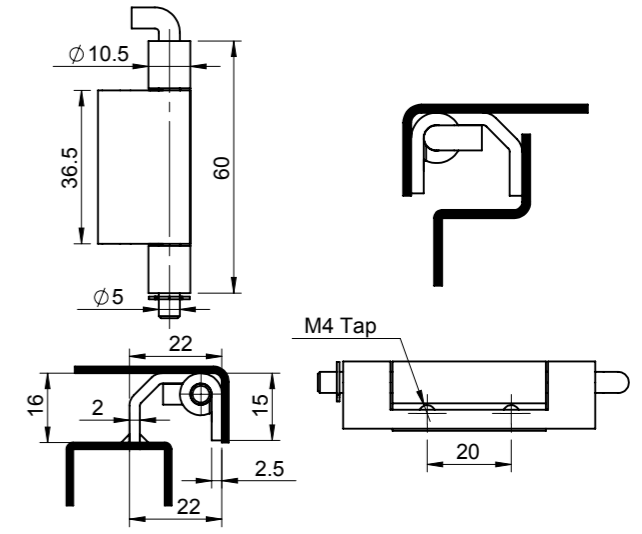
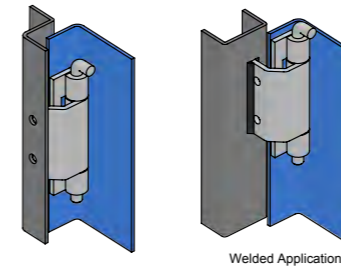
Product Code	Hinge Material	Pin Material	Finish	Opening Angle	Working Load (Kg)	
DHIM-4015-AR	MS	MS	Yellow Zinc	90°	Ax.:	Ra.:



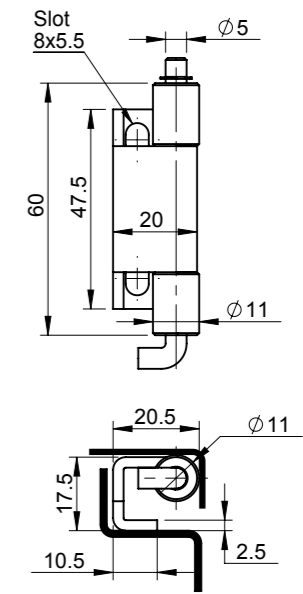
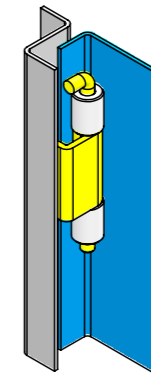
Product Code	Hinge Material	Pin Material	Finish	Opening Angle	Working Load (Kg)	
DHIM-4015-AW	MS	MS	Yellow Zinc	90°	Ax.:	Ra.:

Hinges

Concealed Hinge : Mild Steel



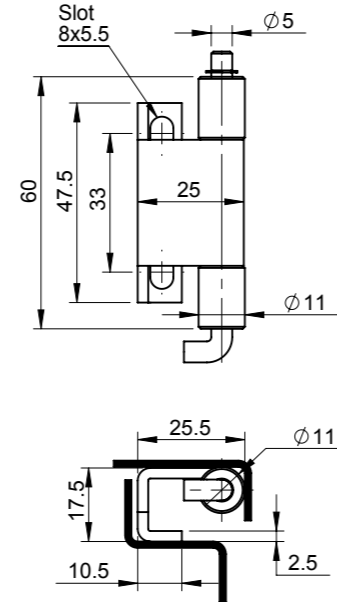
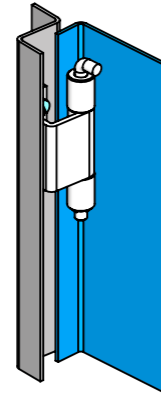
Product Code	Hinge Material	Pin Material	Finish	Opening Angle	Working Load (Kg)	
DHIM-60-AS	MS	MS	Yellow Zinc	90°	Ax.:	Ra.:
DHIM-60-AS-BZ	MS	MS	Blue Zinc	90°	Ax.:	Ra.:



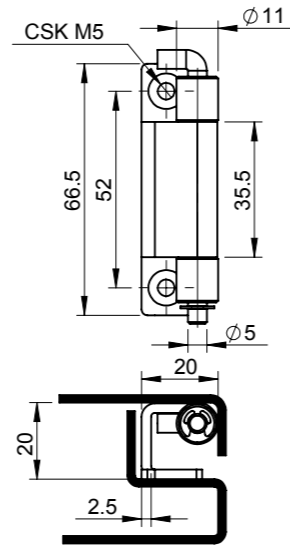
Product Code	Hinge Material	Pin Material	Finish	Opening Angle	Working Load (Kg)	
DHIM-6015	MS	MS	Yellow Zinc	120°	Ax.: 24	Ra.: 09
DHIM-6015-BZ	MS	MS	Blue Zinc	120°	Ax.: 24	Ra.: 09

Hinges

Concealed Hinge : Mild Steel



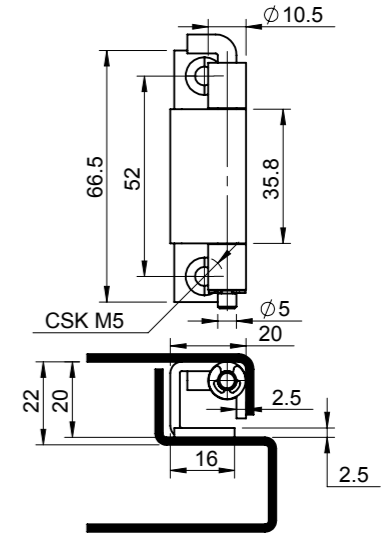
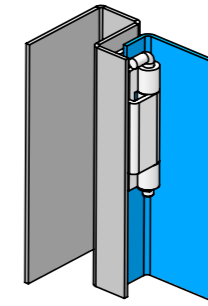
Product Code	Hinge Material	Pin Material	Finish	Opening Angle	Working Load (Kg)	
DHIM-6020	MS	MS	Yellow Zinc	90°	Ax.:	Ra.:



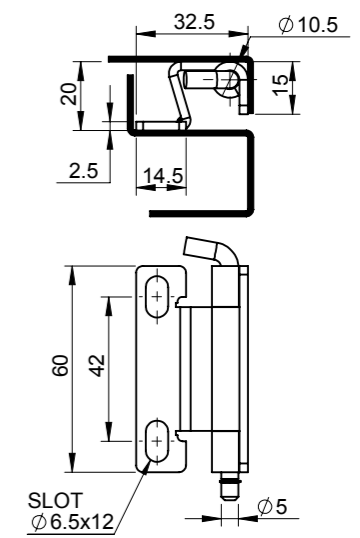
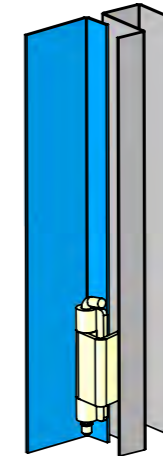
Product Code	Hinge Material	Pin Material	Finish	Opening Angle	Working Load (Kg)	
DHIM-6012	MS	MS	Yellow Zinc	90°	Ax.:	Ra.:
DHIM-6012-BZ	MS	MS	Blue Zinc	90°	Ax.:	Ra.:

Hinges

Concealed Hinge : Mild Steel



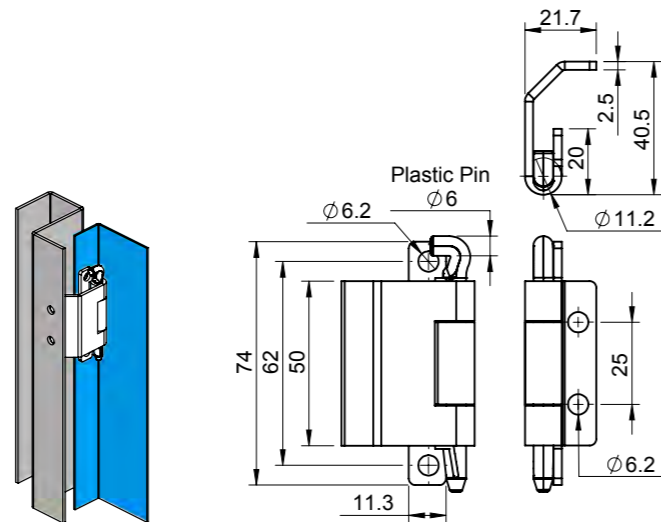
Product Code	Hinge Material	Pin Material	Finish	Opening Angle	IP Mount (Optional)	Working Load (Kg)	
DHIM-6036	MS	MS	Yellow Zinc	120°	CD-52-M5	Ax.:	Ra.:
DHIM-6036-BZ	MS	MS	Blue Zinc	120°	CD-52-M5	Ax.:	Ra.:



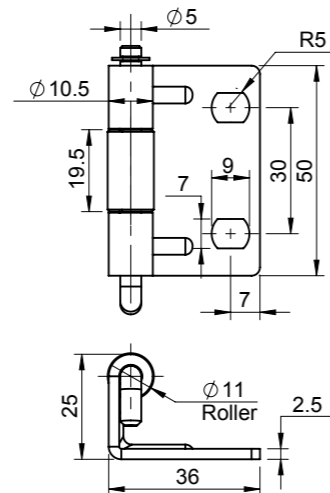
Product Code	Hinge Material	Pin Material	Finish	Opening Angle	Working Load (Kg)	
DHIM-6026	MS	MS	Yellow Zinc	120°	Ax.:	Ra.:
DHIM-6026-BZ	MS	MS	Blue Zinc	120°	Ax.:	Ra.:

Hinges

Concealed Hinge : Mild Steel



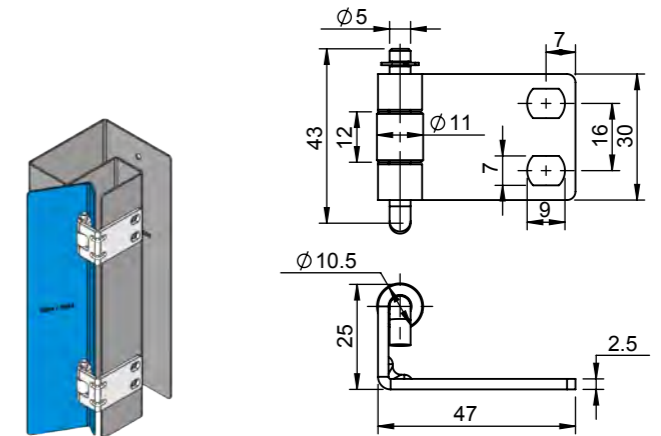
Product Code	Hinge Material	Pin Material	Finish	Opening Angle	Working Load (Kg)	
DHIM-74-GL	Galvanized	POM	Galvanized	120°	Ax.:	Ra.:



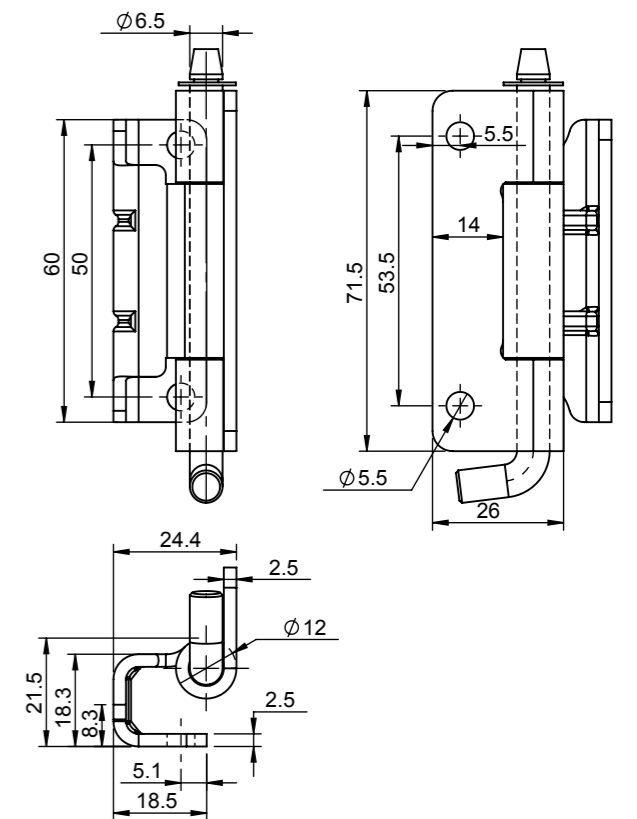
Product Code	Hinge Material	Pin Material	Finish	Opening Angle	Working Load (Kg)	
DHIM-5024-BZ	MS	MS	Blue Zinc	90°	Ax.:	Ra.:

Hinges

Concealed Hinge : Mild Steel



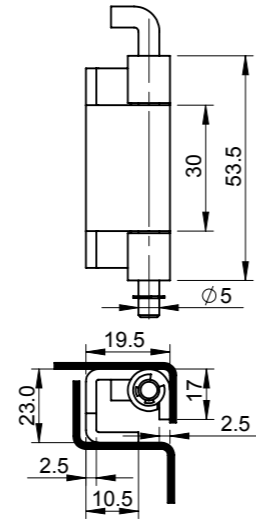
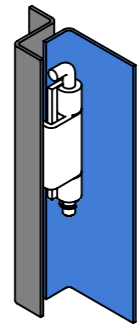
Product Code	Hinge Material	Pin Material	Opening Angle	Finish	Working Load (Kg)	
DHIM-3024-BZ	MS	MS	90°	Blue Zinc	Ax.:	Ra.:



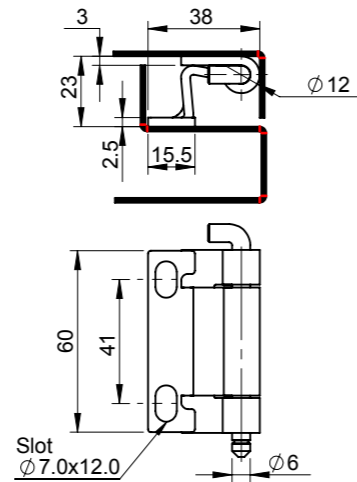
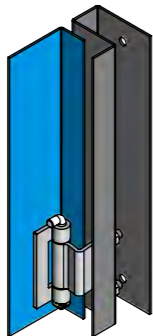
Product Code	Hinge Material	Pin Material	Opening Angle	Finish	Working Load (Kg)	
DHIM-6021-BZ	MS	MS	180°	Blue Zinc	Ax.:	Ra.:

Hinges

Concealed Hinge : Mild Steel



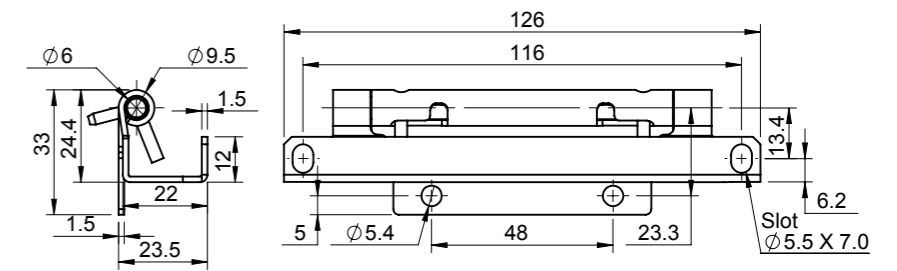
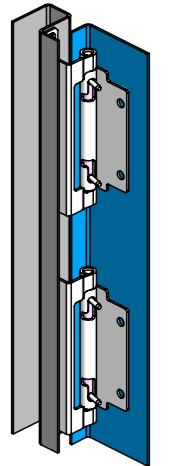
Product Code	Hinge Material	Pin Material	Finish	Opening Angle	Working Load (Kg)	
DHIM-5325	MS	MS	Yellow Zinc	90°	Ax.:	Ra.:



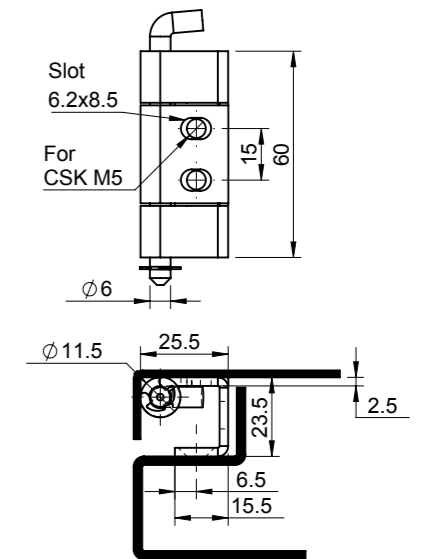
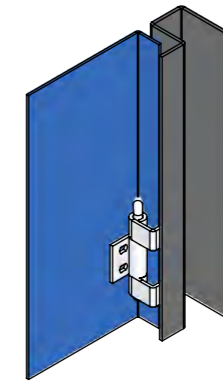
Product Code	Hinge Material	Pin Material	Finish	Opening Angle	Working Load (Kg)	
DHIM-6060	MS	MS	Yellow Zinc	100°	Ax.:	Ra.:

Hinges

Concealed Hinge : Mild Steel



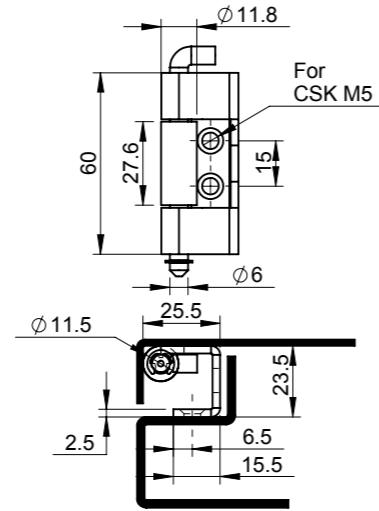
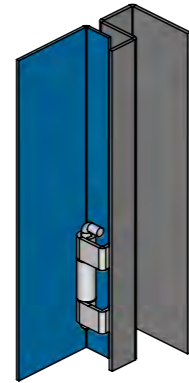
Product Code	Hinge Material	Pin Material	Finish	Opening Angle	Working Load (Kg)	
DHIM-12648	MS	MS	Blue Zinc	110°	Ax.:	Ra.:



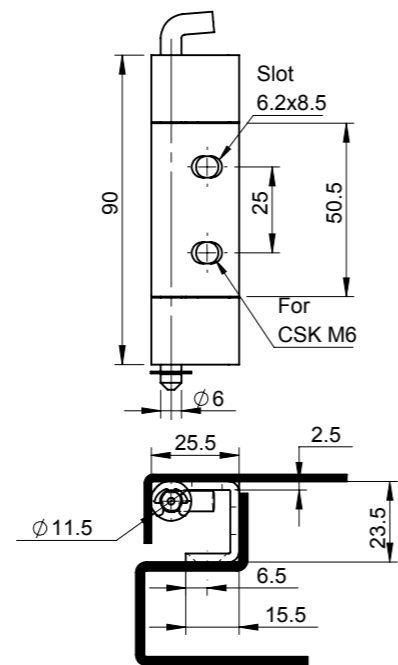
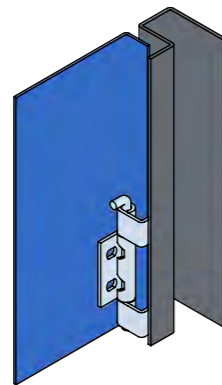
Product Code	Hinge Material	Pin Material	Finish	Opening Angle	IP Mount (Optional)	Working Load (Kg)	
DHIM-60	MS	MS	Yellow Zinc	120°	CD-15-M5	Ax.:	Ra.:
DHIM-60-BZ	MS	MS	Blue Zinc	120°	CD-15-M5	Ax.:	Ra.:

Hinges

Concealed Hinge : Mild Steel



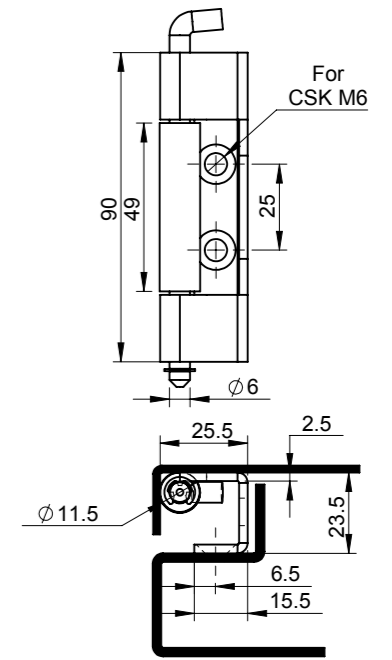
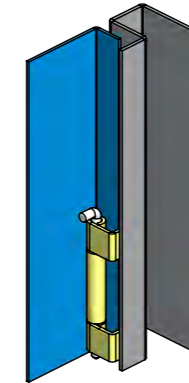
Product Code	Hinge Material	Pin Material	Finish	Opening Angle	IP Mount (Optional)	Working Load (Kg)	
DHIM-60-R	MS	MS	Yellow Zinc	120°	CD-15-M5	Ax.: 13	Ra.: 17
DHIM-60-R-BZ	MS	MS	Blue Zinc	120°	CD-15-M5	Ax.: 13	Ra.: 17



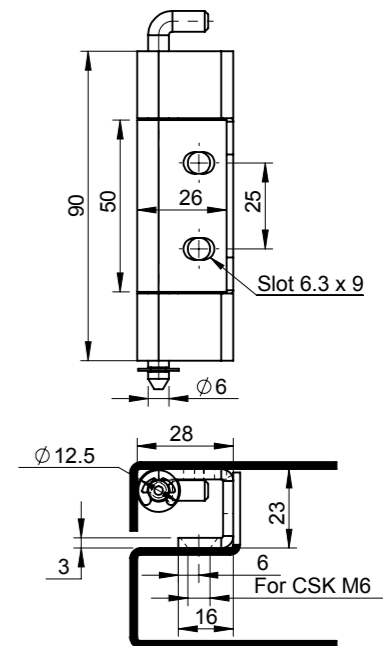
Product Code	Hinge Material	Pin Material	Finish	Opening Angle	IP Mount (Optional)	Working Load (Kg)	
DHIM-120	MS	MS	Yellow Zinc	120°	CD-25-M6	Ax.: 15	Ra.: 17
DHIM-120-BZ	MS	MS	Blue Zinc	120°	CD-25-M6	Ax.: 15	Ra.: 17

Hinges

Concealed Hinge : Mild Steel



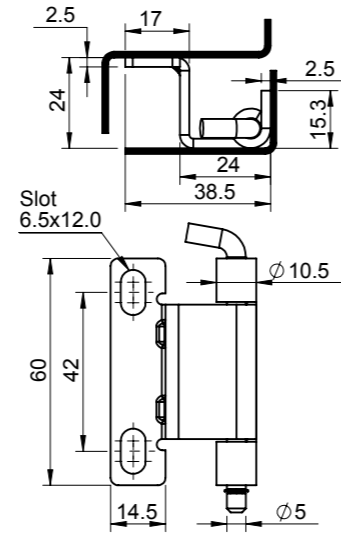
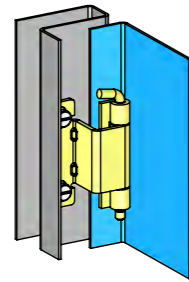
Product Code	Hinge Material	Pin Material	Finish	Opening Angle	IP Mount (Optional)	Working Load (Kg)	
DHIM-120-R	MS	MS	Yellow Zinc	120°	CD-25-M6	Ax.:	Ra.:
DHIM-120-R-BZ	MS	MS	Blue Zinc	120°	CD-25-M6	Ax.:	Ra.:



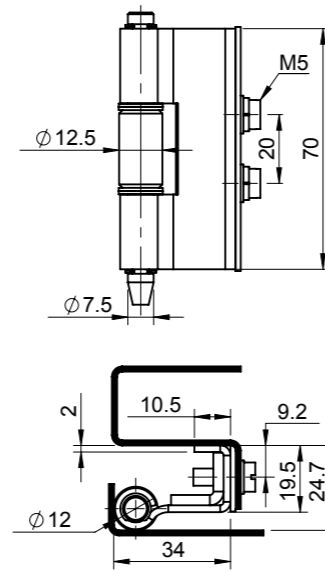
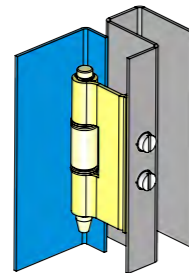
Product Code	Hinge Material	Pin Material	Finish	Opening Angle	IP Mount (Optional)	Working Load (Kg)	
DHIM-120-3	MS	MS	Yellow Zinc	120°	CD-25-M6	Ax.:	Ra.:
DHIM-120-3-BZ	MS	MS	Blue Zinc	120°	CD-25-M6	Ax.:	Ra.:

Hinges

Concealed Hinge : Mild Steel



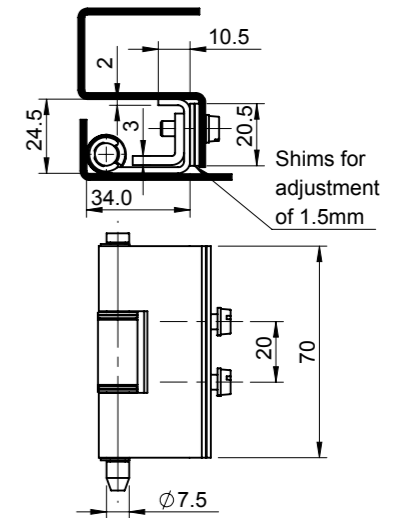
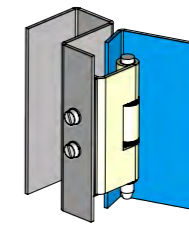
Product Code	Hinge Material	Pin Material	Finish	Opening Angle	Working Load (Kg)	
DHIM-6024	MS	MS	Yellow Zinc	90°	Ax.:	Ra.:
DHIM-6024-BZ	MS	MS	Blue Zinc	90°	Ax.:	Ra.:



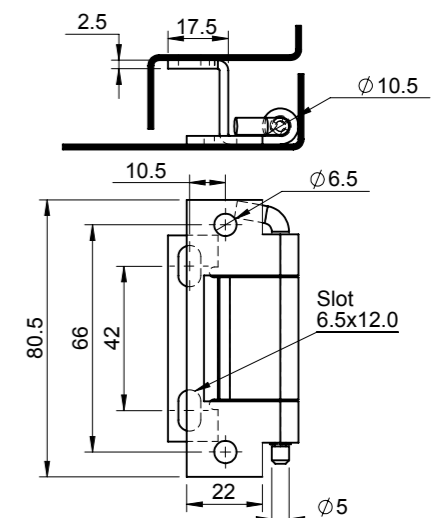
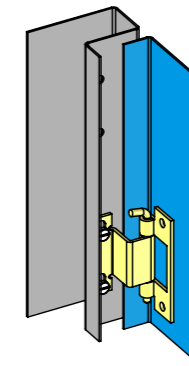
Product Code	Hinge Material	Pin Material	Finish	Opening Angle	Working Load (Kg)	
DHIM-7020	MS	MS	Yellow Zinc	110°	Ax.:	Ra.:
DHIM-7020-BZ	MS	MS	Blue Zinc	110°	Ax.:	Ra.:

Hinges

Concealed Hinge : Mild Steel



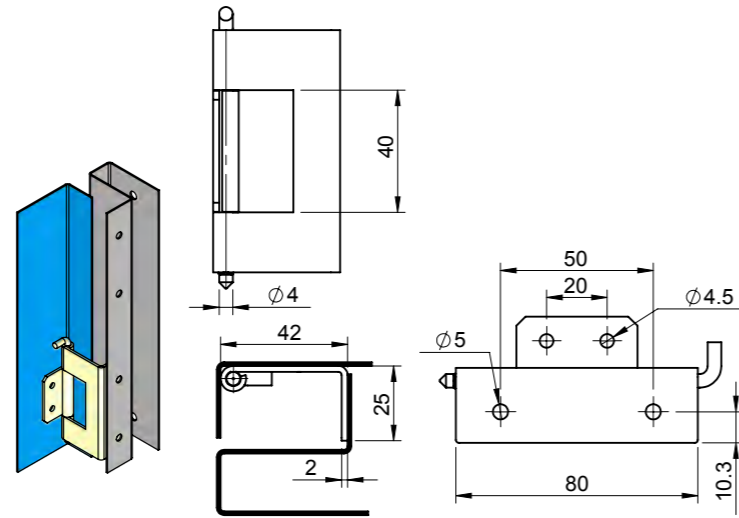
Product Code	Hinge Material	Pin Material	Finish	Opening Angle	Working Load (Kg)	
DHIM-7023	MS	MS	Yellow Zinc	110°	Ax.:	Ra.:



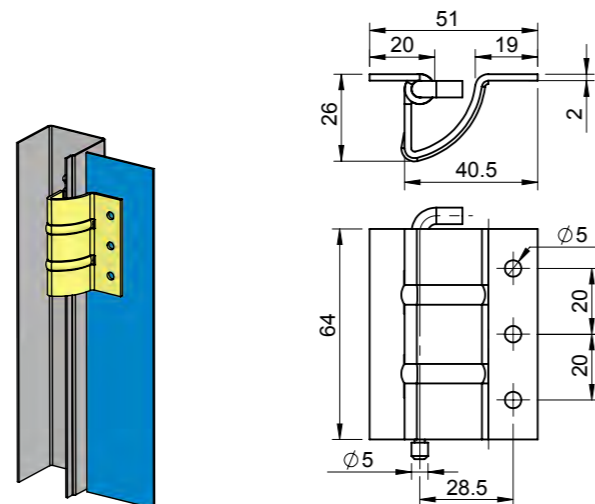
Product Code	Hinge Material	Pin Material	Finish	Opening Angle	Working Load (Kg)	
DHIM-8024-BZ	MS	MS	Blue Zinc	110°	Ax.:	Ra.:

Hinges

Concealed Hinge : Mild Steel



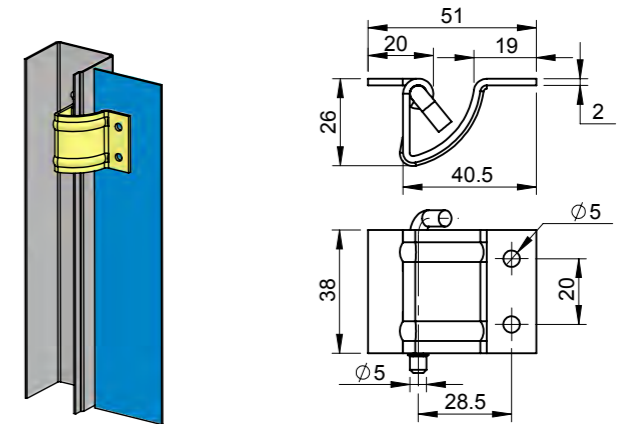
Product Code	Hinge Material	Pin Material	Finish	Opening Angle	Working Load (Kg)	
DHIM-8042	MS	MS	Yellow Zinc	90°	Ax.:	Ra.:



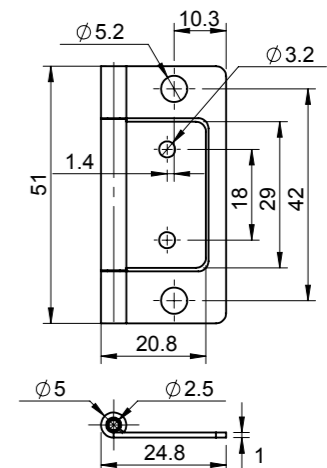
Product Code	Hinge Material	Pin Material	Finish	Opening Angle	Working Load (Kg)	
DHIM-5964-F	MS	MS	Yellow Zinc	90°	Ax.:	Ra.:

Hinges

Concealed Hinge : Mild Steel



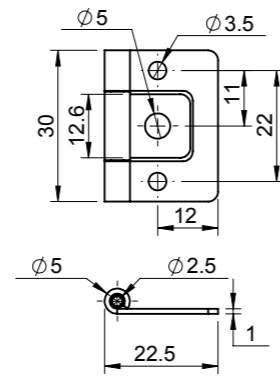
Product Code	Hinge Material	Pin Material	Finish	Opening Angle	Working Load (Kg)	
DHIM-5939-F	MS	MS	Yellow Zinc	90°	Ax.:	Ra.:
DHIM-5939-F-BZ	MS	MS	Blue Zinc	90°	Ax.:	Ra.:



Product Code	Hinge Material	Pin Material	Finish	Opening Angle	Working Load (Kg)	
DHIM-5120	MS	MS	Yellow Zinc	90°	Ax.:	Ra.:

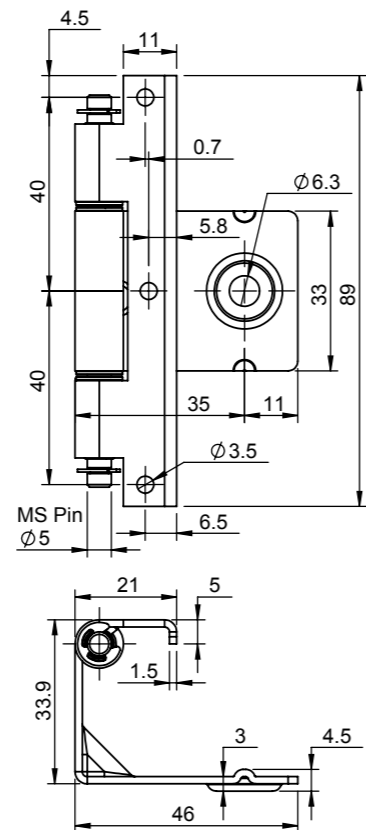
Hinges

Concealed Hinge : Mild Steel



2020

Product Code	Hinge Material	Pin Material	Finish	Opening Angle	Working Load (Kg)	
DHIM-3017	MS	MS	Yellow Zinc	90°	Ax.:	Ra.:

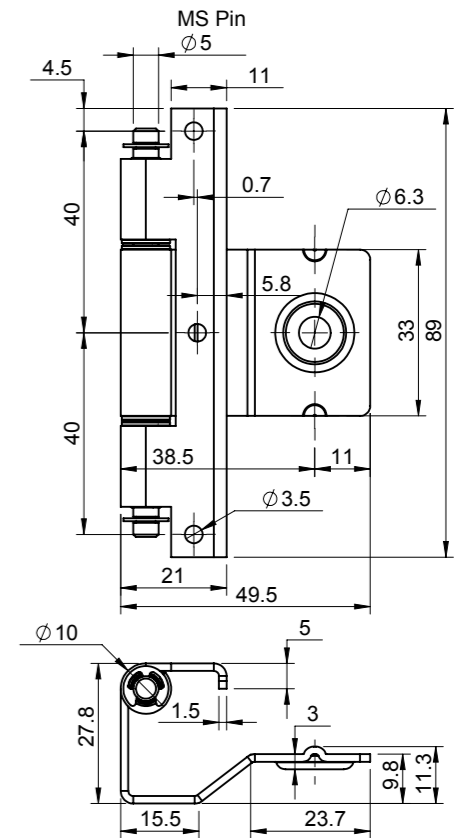


2020

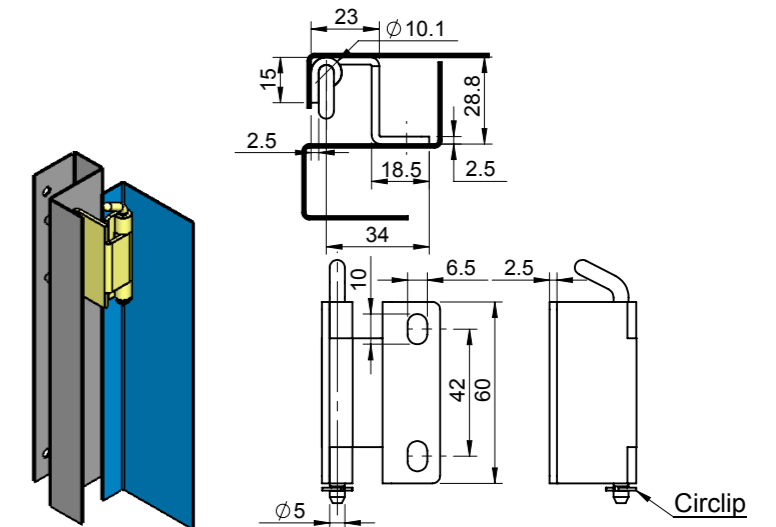
Product Code	Hinge Material	Pin Material	Finish	Opening Angle	Working Load (Kg)	
DHIM-4689	MS	MS	Yellow Zinc	90°	Ax.:	Ra.:

Hinges

Concealed Hinge : Mild Steel



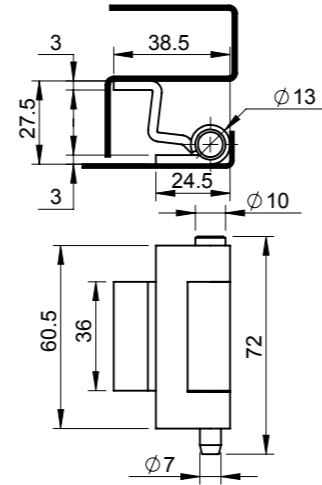
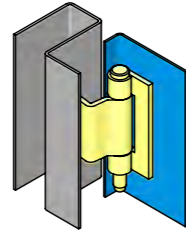
Product Code	Hinge Material	Pin Material	Finish	Opening Angle	Working Load (Kg)	
DHIM-5089	MS	MS	Yellow Zinc	90°	Ax.:	Ra.:



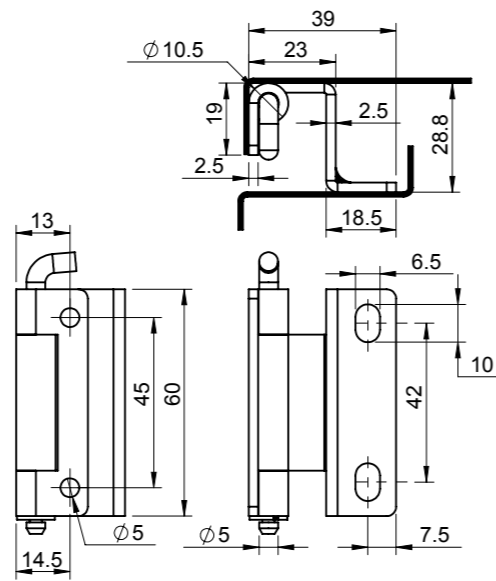
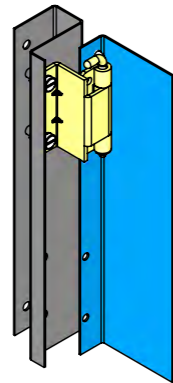
Product Code	Hinge Material	Pin Material	Finish	Opening Angle	Working Load (Kg)	
DHIM-6034	MS	MS	Yellow Zinc	90°	Ax.:	Ra.:
DHIM-6034-BZ	MS	MS	Blue Zinc	90°	Ax.:	Ra.:

Hinges

Concealed Hinge : Mild Steel



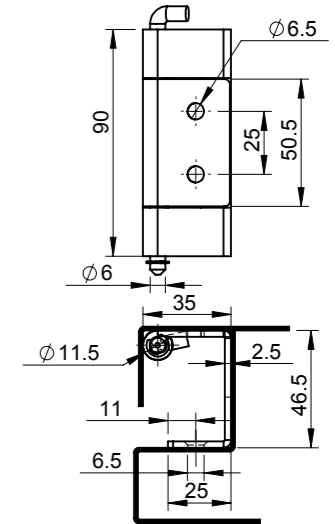
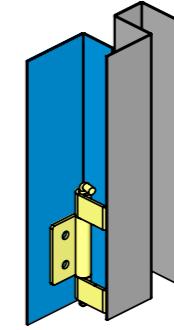
Product Code	Hinge Material	Pin Material	Finish	Opening Angle	Working Load (Kg)	
DHIW-6035	MS	MS	Yellow Zinc	120°	Ax.: 21	Ra.: 35



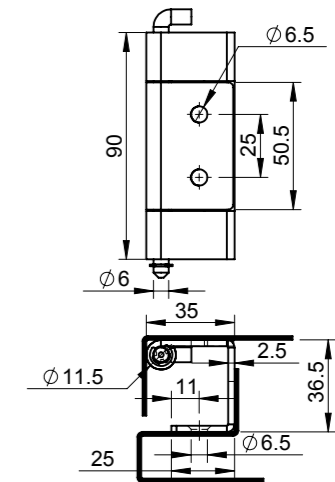
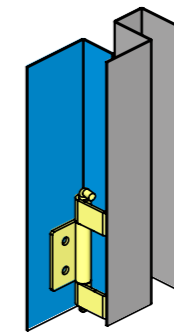
Product Code	Hinge Material	Pin Material	Finish	Opening Angle	Working Load (Kg)	
DHIM-6039	MS	MS	Yellow Zinc	90°	Ax.:	Ra.:
DHIM-6039-BZ	MS	MS	Blue Zinc	90°	Ax.:	Ra.:

Hinges

Concealed Hinge : Mild Steel



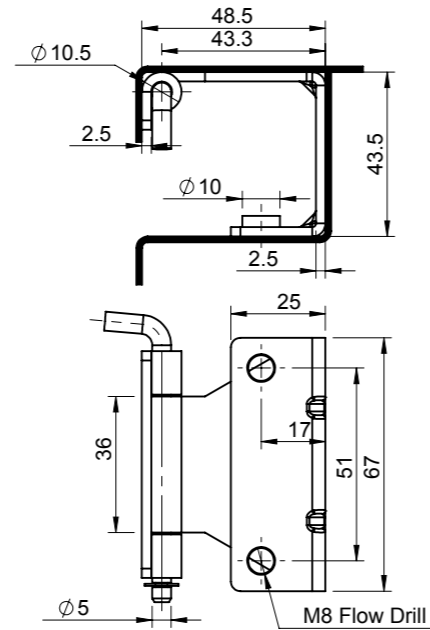
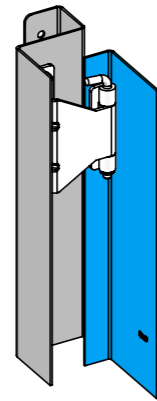
Product Code	Hinge Material	Pin Material	Finish	Opening Angle	IP Mount (Optional)	Working Load (Kg)	
DHIM-9035	MS	MS	Yellow Zinc	90°	CD-25-M6	Ax.:	Ra.:



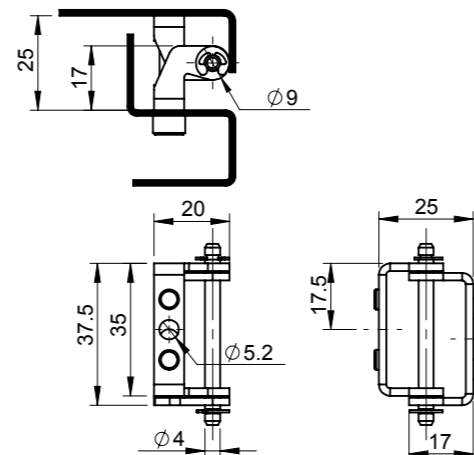
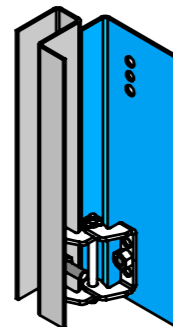
Product Code	Hinge Material	Pin Material	Finish	Opening Angle	IP Mount (Optional)	Working Load (Kg)	
DHIM-9035-A	MS	MS	Yellow Zinc	120°	CD-25-M6	Ax.: 11	Ra.: 13
DHIM-9035-A-BZ	MS	MS	Blue Zinc	120°	CD-25-M6	Ax.: 11	Ra.: 13

Hinges

Concealed Hinge : Mild Steel



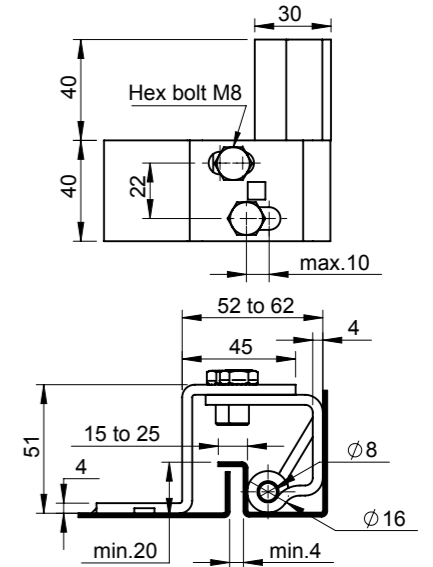
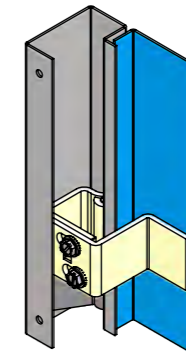
Product Code	Hinge Material	Pin Material	Finish	Opening Angle	Working Load (Kg)	
DHIM-6748-BZ	MS	MS	Blue Zinc	90°	Ax.: 15	Ra.:



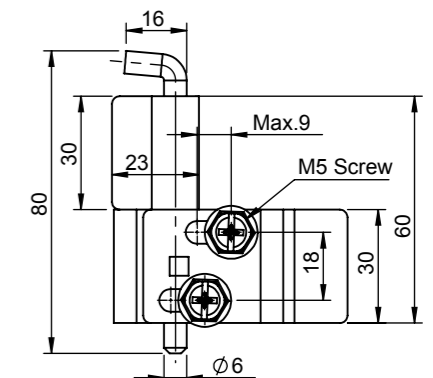
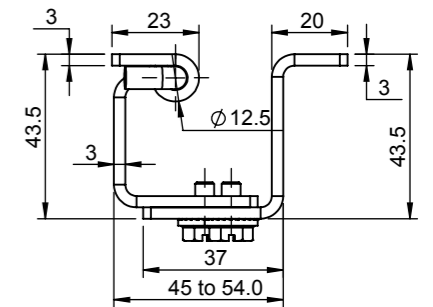
Product Code	Hinge Material	Pin Material	Finish	Opening Angle	Working Load (Kg)	
DHIM-102	MS	MS	Bule Zinc	90°	Ax.:	Ra.:

Hinges

Concealed Hinge : Mild Steel



Product Code	Hinge Material	Pin Material	Finish	Opening Angle	Working Load (Kg)	
DHIM-4040F	MS	MS	Yellow Zinc	100°	Ax.:	Ra.:

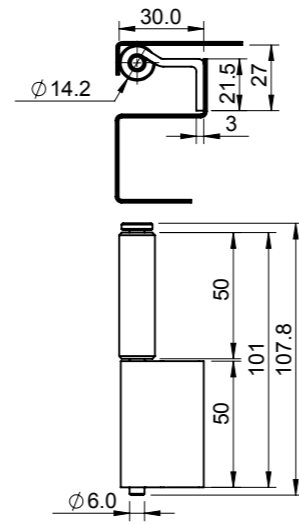
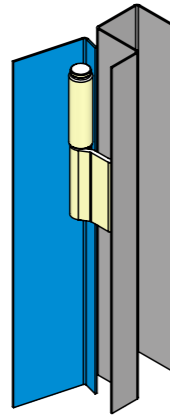


2020

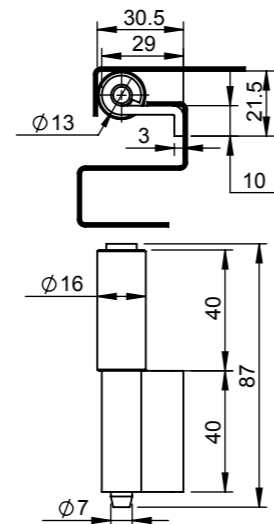
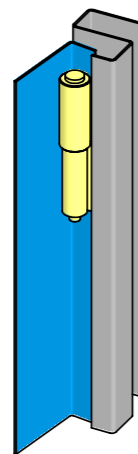
Product Code	Hinge Material	Pin Material	Finish	Opening Angle	Working Load (Kg)	
DHIM-3030F-3-BZ_P	MS	MS	Blue Zinc	100°	Ax.:	Ra.:

Hinges

Concealed Hinge : Mild Steel



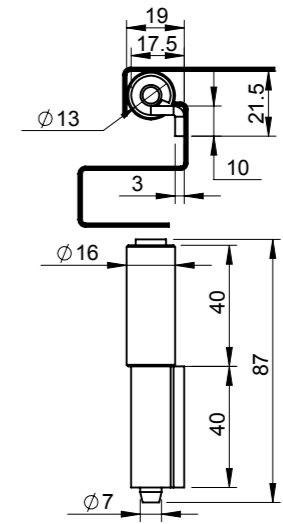
Product Code	Hinge Material	Pin Material	Finish	Opening Angle	Working Load (Kg)	
DHIW-11030	MS	MS	Yellow Zinc	110°	Ax.:	Ra.:



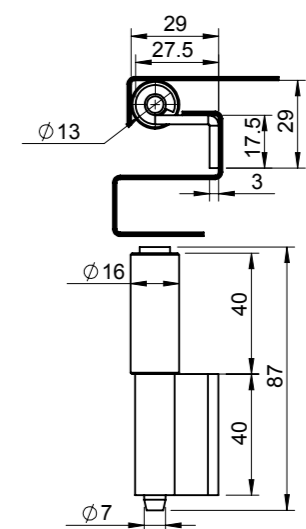
Product Code	Hinge Material	Pin Material	Finish	Opening Angle	Working Load (Kg)	
DHIW-8040	MS	MS	Yellow Zinc	110°	Ax.:	Ra.:

Hinges

Concealed Hinge : Mild Steel



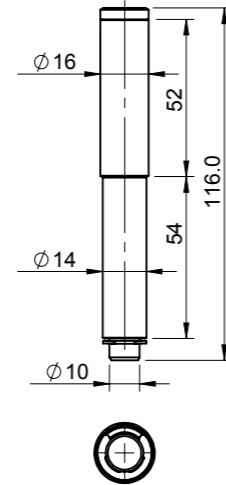
Product Code	Hinge Material	Pin Material	Finish	Opening Angle	Working Load (Kg)	
DHIW-8040-A	MS	MS	Yellow Zinc	110°	Ax.: 172	Ra.: 88



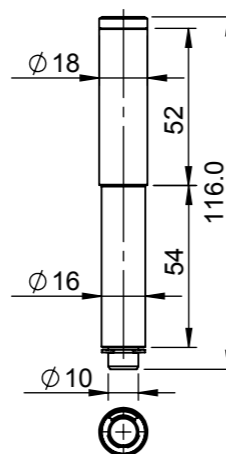
Product Code	Hinge Material	Pin Material	Finish	Opening Angle	Working Load (Kg)	
DHIW-8040-C	MS	MS	Yellow Zinc	110°	Ax.:	Ra.:

Hinges

Concealed Hinge : Mild Steel



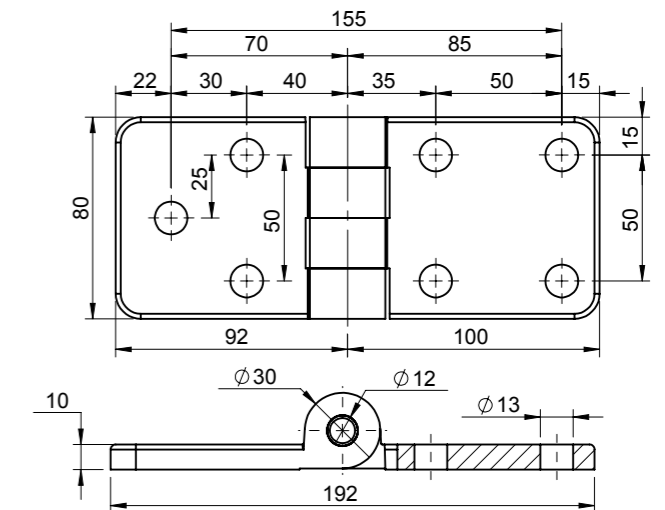
Product Code	Hinge Material	Pin Material	Finish	Opening Angle	Working Load (Kg)	
DHIW-11616	MS	MS	Yellow Zinc	180°	Ax.: 100	Ra.:



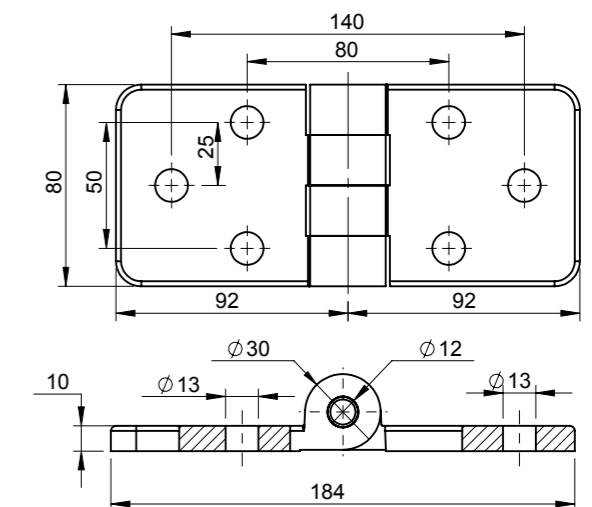
Product Code	Hinge Material	Pin Material	Finish	Opening Angle	Working Load (Kg)	
DHIW-11618	MS	MS	Yellow Zinc	180°	Ax.: 110	Ra.:

Hinges

Flat Hinge : Casting Mild Steel



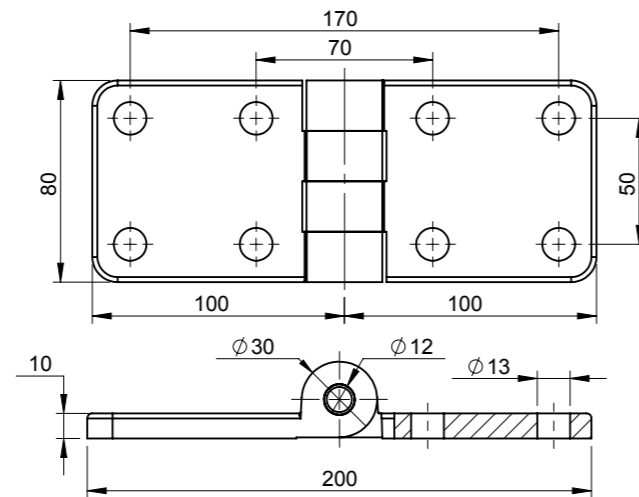
Product Code	Hinge Material	Pin Material	Finish	Opening Angle	Working Load (Kg)	
DHIMC-80192	MS	SS-304	Black PC	180°	Ax.: 450	Ra.: 475



Product Code	Hinge Material	Pin Material	Finish	Opening Angle	Working Load (Kg)	
DHIMC-80184	MS	SS-304	Black PC	180°	Ax.: 450	Ra.: 475

Hinges

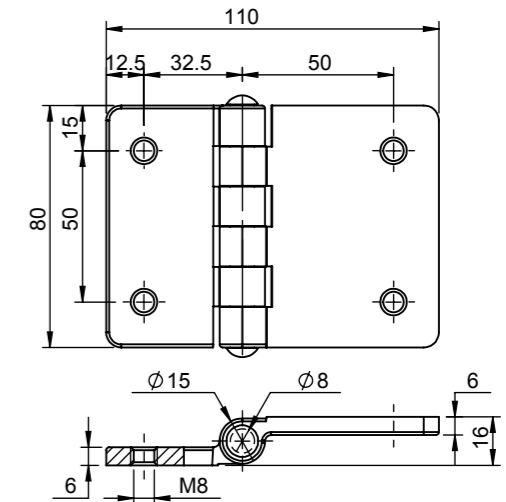
Flat Hinge : Casting Mild Steel



Product Code	Hinge Material	Pin Material	Finish	Opening Angle	Working Load (Kg)	
DHIMC-80200	MS	SS-304	Black PC	180°	Ax.: 450	Ra.: 475

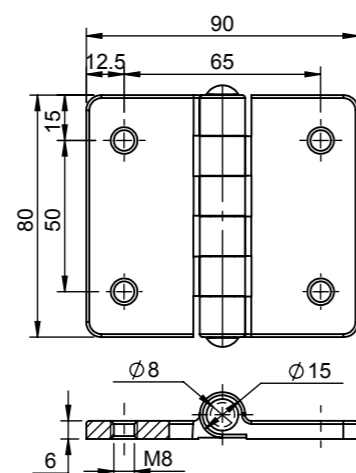
Hinges

Flat Hinge : Casting Mild Steel



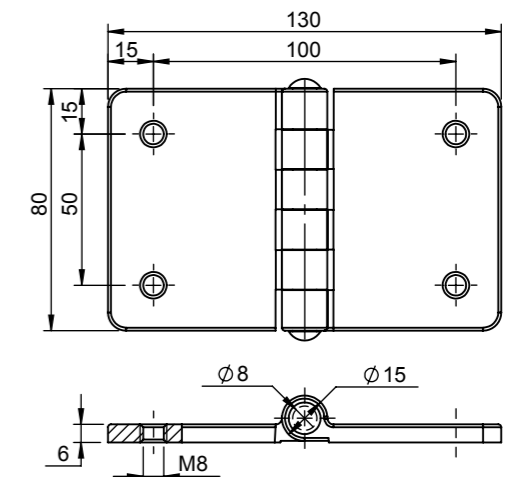
2020

Product Code	Hinge Material	Pin Material	Finish	Opening Angle	Working Load (Kg)	
DHIMCO-80110	MS	SS-304	Black PC	180°	Ax.: 450	Ra.: 475



2020

Product Code	Hinge Material	Pin Material	Finish	Opening Angle	Working Load (Kg)	
DHIMC-8090	MS	SS-304	Black PC	180°	Ax.: 450	Ra.: 475

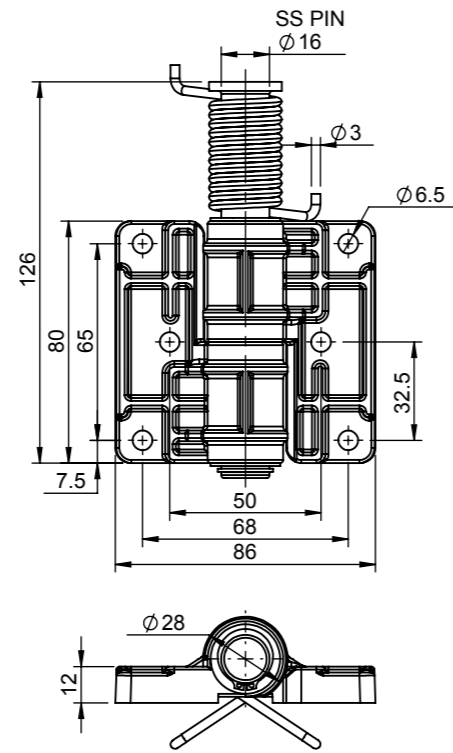


2020

Product Code	Hinge Material	Pin Material	Finish	Opening Angle	Working Load (Kg)	
DHIMC-80130	MS	SS-304	Black PC	180°	Ax.: 450	Ra.: 475

Hinges

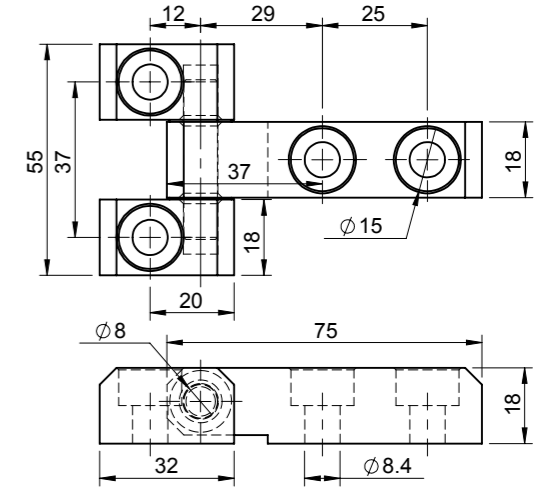
Flat Hinge : Casting Mild Steel



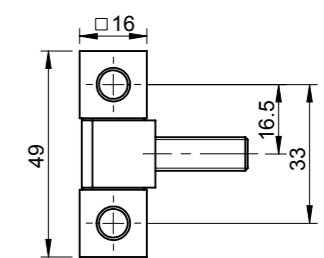
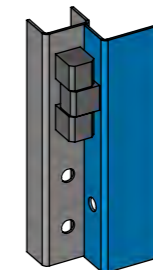
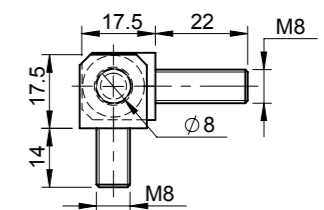
Product Code	Material	Finish	Rotation Angle	Working Load (Kg)	
				Ax.:	Ra.:
DHISM-8086	MS	Black PC	180°		

Hinges

Flat Hinge : Casting Mild Steel



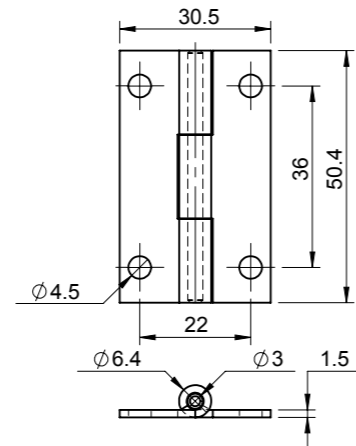
Product Code	Hinge Material	Pin Material	Finish	Opening Angle	Working Load (Kg)	
					Ax.:	Ra.:
DHIM-9155	MS	SS-304	Blue Zinc	180°	140	200



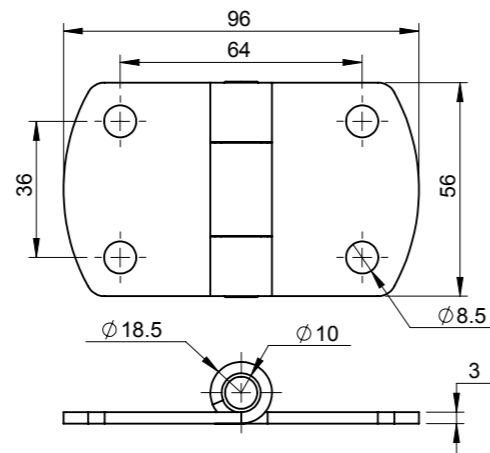
Product Code	Hinge Material	Pin Material	Finish	Opening Angle	Working Load (Kg)	
					Ax.:	Ra.:
DHIM-16-8-3	MS	SS-304	Blue Zinc	180°		

Hinges

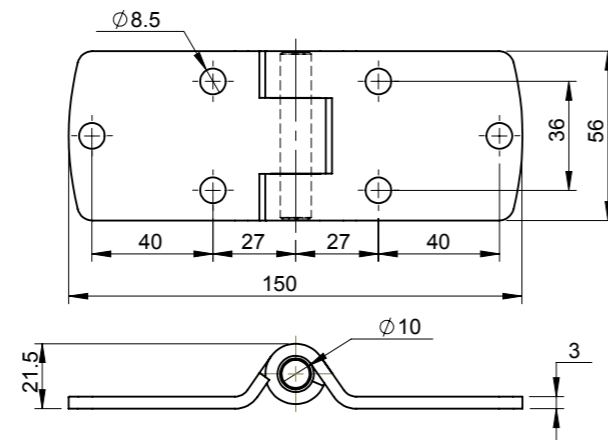
Flat Hinge : Stainless Steel



Product Code	Hinge Material	Pin Material	Finish	Opening Angle	Working Load (Kg)	
DHIM-5030-SS	SS-304	SS-304	Electro Polishing	180°	Ax.:	Ra.:
Also available in SS-316 & SS-316L on minimum order request, MOQ						



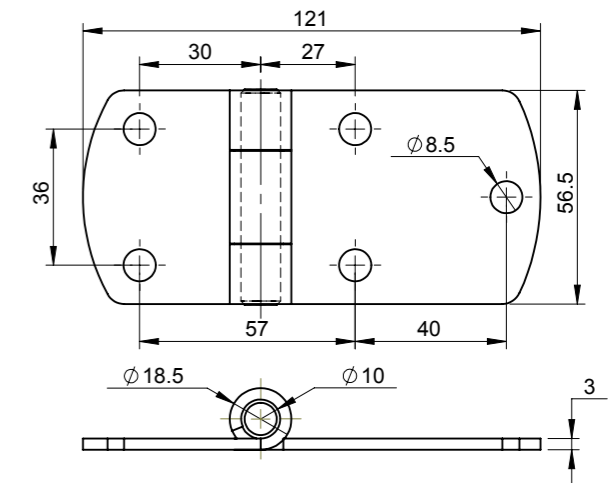
Product Code	Hinge Material	Pin Material	Finish	Opening Angle	Working Load (Kg)	
DHIM-6536-SS	SS-304	SS-304	Electro Polishing	180°	Ax.:	Ra.:
Also available in SS-316 & SS-316L on minimum order request, MOQ						



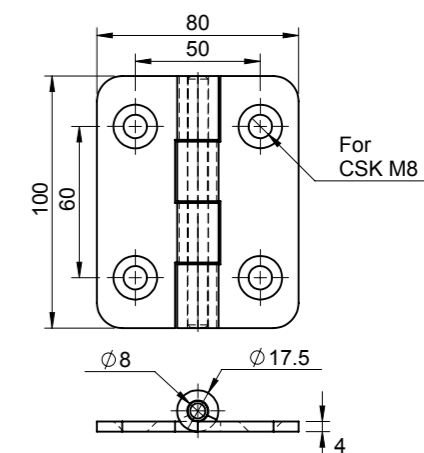
Product Code	Hinge Material	Pin Material	Finish	Opening Angle	Working Load (Kg)	
DHIM-7575-SS	SS-304	SS-304	Electro Polishing	180°	Ax.: 53	Ra.: 43
Also available in SS-316 & SS-316L on minimum order request, MOQ						

Hinges

Flat Hinge : Stainless Steel



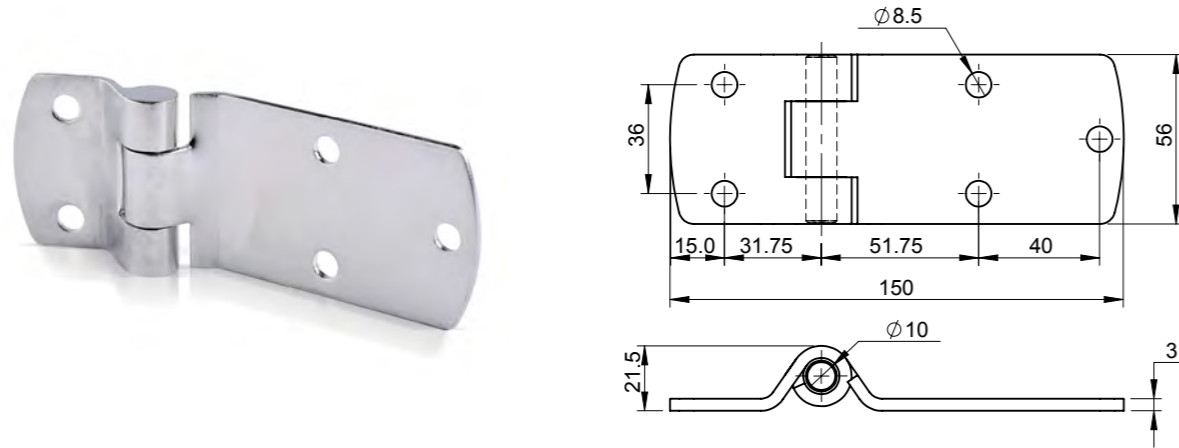
Product Code	Hinge Material	Pin Material	Finish	Opening Angle	Working Load (Kg)	
DHIM-10036-SS	SS-304	SS-304	Electro Polishing	180°	Ax.:	Ra.:
Also available in SS-316 & SS-316L on minimum order request, MOQ						



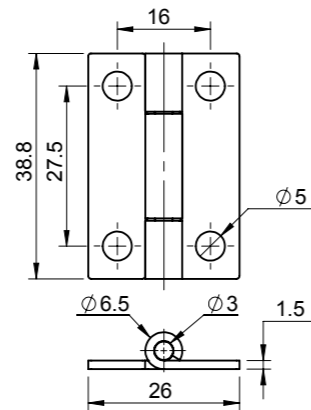
Product Code	Hinge Material	Pin Material	Finish	Opening Angle	Working Load (Kg)	
DHIM-10080-SS	SS-304	SS-304	Electro Polishing	180°	Ax.: 245	Ra.: 252
Also available in SS-316 & SS-316L on minimum order request, MOQ						

Hinges

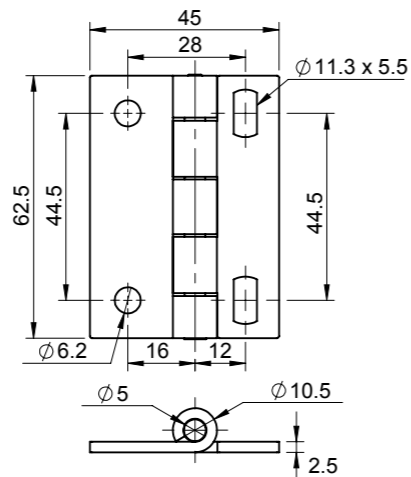
Flat Hinge : Stainless Steel



Product Code	Hinge Material	Pin Material	Finish	Opening Angle	Working Load (Kg)	
DHIM-10550-SS	SS-304	SS-304	Electro Polishing	180°	Ax.:	Ra.:
Also available in SS-316 & SS-316L on minimum order request, MOQ						



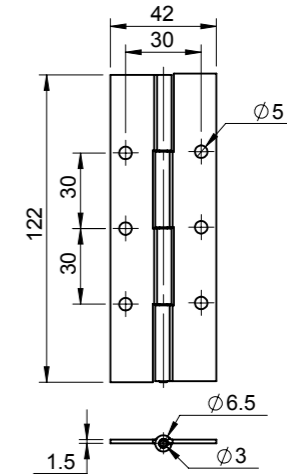
Product Code	Hinge Material	Pin Material	Finish	Opening Angle	Working Load (Kg)	
DHIM-3826-SS	SS-304	SS-304	Electro Polishing	180°	Ax.:	Ra.:
Also available in SS-316 & SS-316L on minimum order request, MOQ						



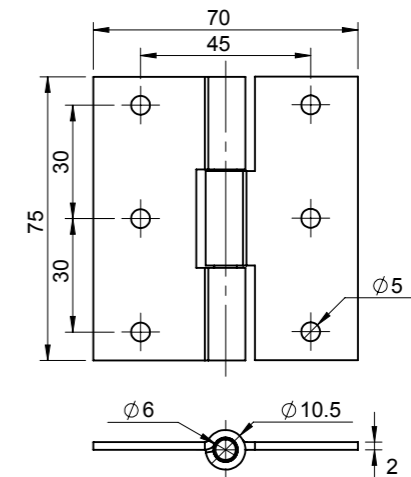
Product Code	Hinge Material	Pin Material	Finish	Opening Angle	Working Load (Kg)	
DHIM-6346-SS	SS-304	SS-304	Electro Polishing	180°	Ax.: 92	Ra.: 59
Also available in SS-316 & SS-316L on minimum order request, MOQ						

Hinges

Flat Hinge : Stainless Steel



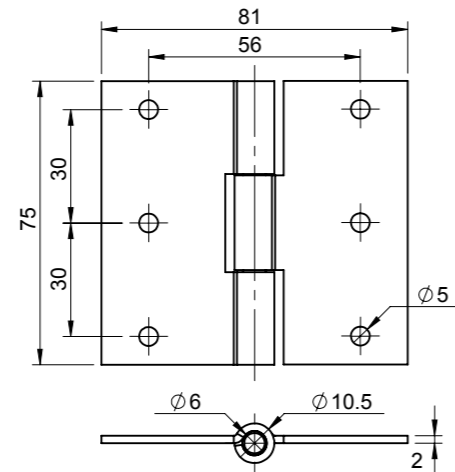
Product Code	Hinge Material	Pin Material	Finish	Opening Angle	Working Load (Kg)	
DHIM-20-1.5-SS	SS-304	SS-304	Electro Polishing	180°	Ax.:	Ra.:
Also available in SS-316 & SS-316L on minimum order request, MOQ						



Product Code	Hinge Material	Pin Material	Finish	Opening Angle	Working Load (Kg)	
DHIM-75-30-2-SS	SS-304	SS-304	Electro Polishing	180°	Ax.:	Ra.:
Also available in SS-316 & SS-316L on minimum order request, MOQ						

Hinges

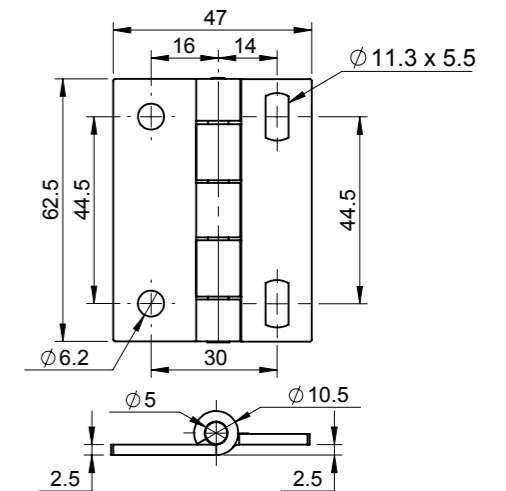
Flat Hinge : Stainless Steel



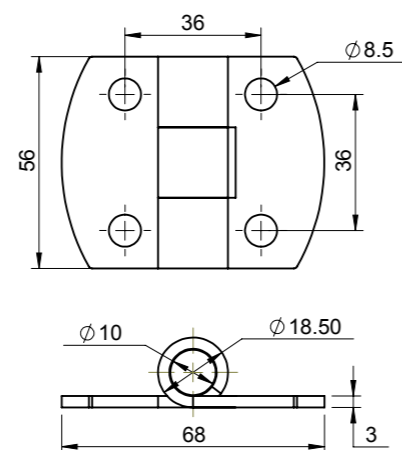
Product Code	Hinge Material	Pin Material	Finish	Opening Angle	Working Load (Kg)	
DHIM-75-40-2-SS	SS-304	SS-304	Electro Polishing	180°	Ax.:	Ra.:
Also available in SS-316 & SS-316L on minimum order request, MOQ						

Hinges

Flat Offset Hinge : Stainless Steel



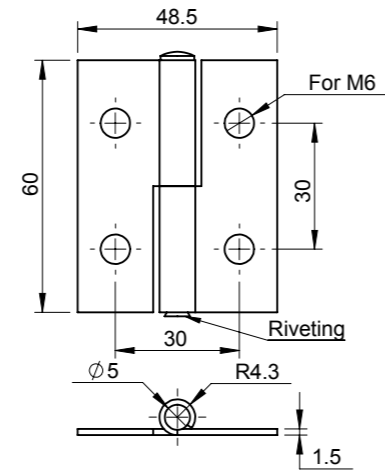
Product Code	Hinge Material	Pin Material	Finish	Opening Angle	Working Load (Kg)	
DHIM-6348-SS	SS-304	SS-304	Electro Polishing	180°	Ax.:	Ra.:
Also available in SS-316 & SS-316L on minimum order request, MOQ						



Product Code	Hinge Material	Pin Material	Finish	Opening Angle	Working Load (Kg)	
DHIM-7036-SS	SS-304	SS-304	Electro Polishing	180°	Ax.: 148	Ra.: 94
Also available in SS-316 & SS-316L on minimum order request, MOQ						

Hinges

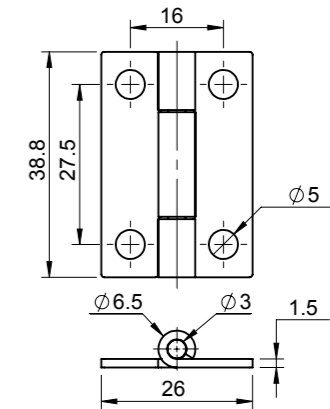
Fixed Hinge : Stainless Steel



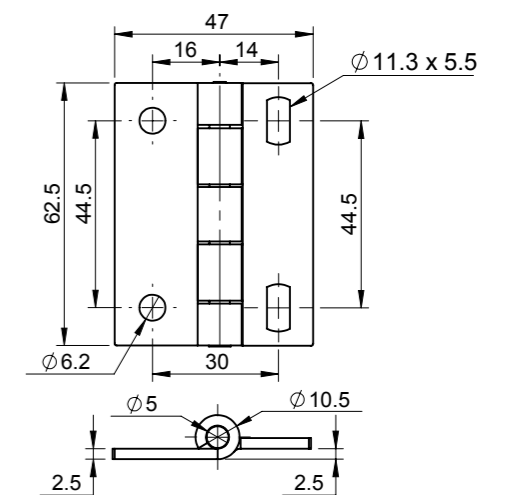
Product Code	Hinge Material	Pin Material	Finish	Opening Angle	Working Load (Kg)	
DHIMF-6048-SS	SS-304	SS-304	Electro Polishing	180°	Ax.:	Ra.:
Also available in SS-316 & SS-316L on minimum order request, MOQ						

Hinges

Spring Return Hinge : Stainless Steel



Product Code	Hinge Material	Pin Material	Finish	Opening Angle	Working Load (Kg)	
DHSM-3826-SS	SS-304	SS-304	Electro Polishing	110°	Ax.:	Ra.:
Also available in SS-316 & SS-316L on minimum order request, MOQ						



Product Code	Hinge Material	Pin Material	Finish	Opening Angle	Working Load (Kg)	
DHSM-6346-SS	SS-304	SS-304	Electro Polishing	110°	Ax.:	Ra.:
Also available in SS-316 & SS-316L on minimum order request, MOQ						

Hinges

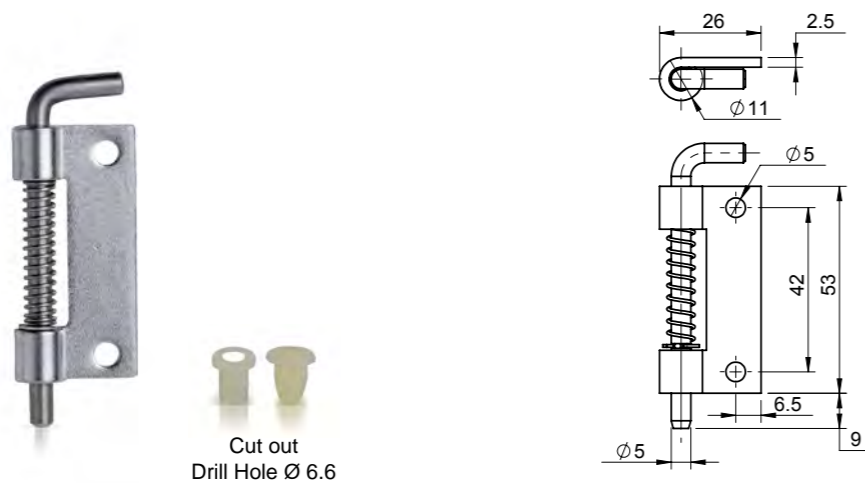
Spring Hinge : Stainless Steel



Product Code	Hinge Material	Pin Material	Finish	Working Load (Kg)	
DSHI-R-SS	SS-304	SS-304	Electro Polishing	Ax.:	Ra.:
Bush are sold only with Hinges. Also available in SS-316 & SS-316L on minimum order request, MOQ					



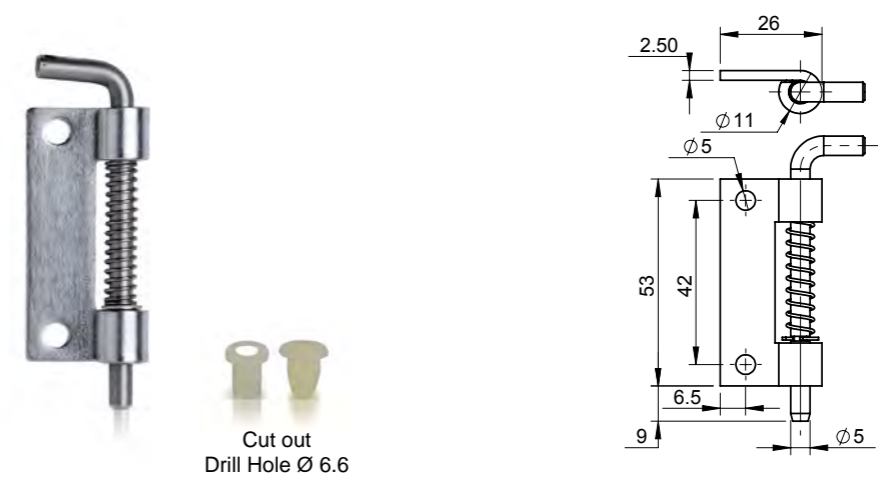
Product Code	Hinge Material	Pin Material	Finish	Working Load (Kg)	
DSHI-L-SS	SS-304	SS-304	Electro Polishing	Ax.:	Ra.:
Bush are sold only with Hinges. Also available in SS-316 & SS-316L on minimum order request, MOQ					



Product Code	Hinge Material	Pin Material	Finish	Working Load (Kg)	
DSHIH-R-SS	SS-304	SS-304	Electro Polishing	Ax.:	Ra.:
Bush are sold only with Hinges. Also available in SS-316 & SS-316L on minimum order request, MOQ					

Hinges

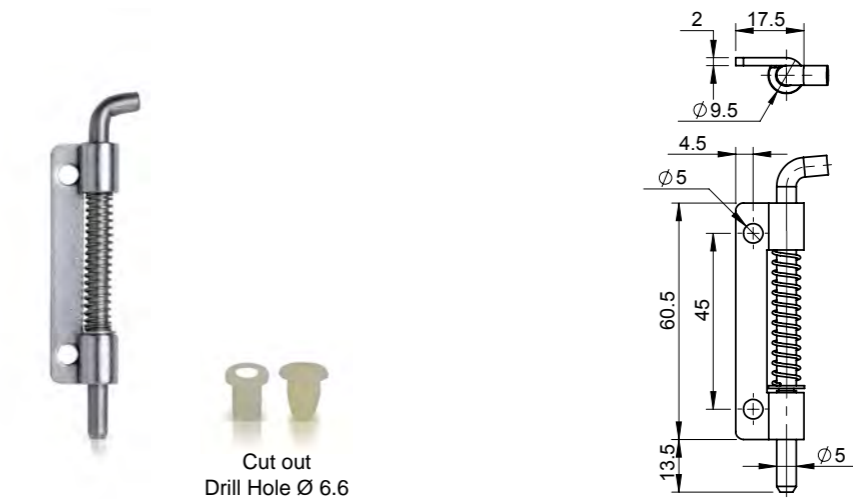
Spring Hinge : Stainless Steel



Product Code	Hinge Material	Pin Material	Finish	Working Load (Kg)	
DSHIH-L-SS	SS-304	SS-304	Electro Polishing	Ax.:	Ra.:
Bush are sold only with Hinges. Also available in SS-316 & SS-316L on minimum order request, MOQ					



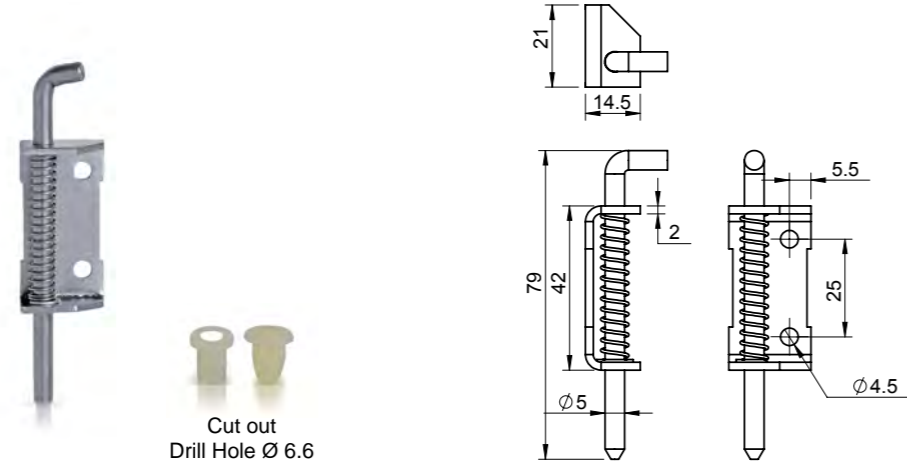
Product Code	Hinge Material	Pin Material	Finish	Working Load (Kg)	
DSHI-2-R-SS	SS-304	SS-304	Electro Polishing	Ax.: 23	Ra.:
Bush are sold only with Hinges. Also available in SS-316 & SS-316L on minimum order request, MOQ					



Product Code	Hinge Material	Pin Material	Finish	Working Load (Kg)	
DSHI-2-L-SS	SS-304	SS-304	Electro Polishing	Ax.:	Ra.:
Bush are sold only with Hinges. Also available in SS-316 & SS-316L on minimum order request, MOQ					

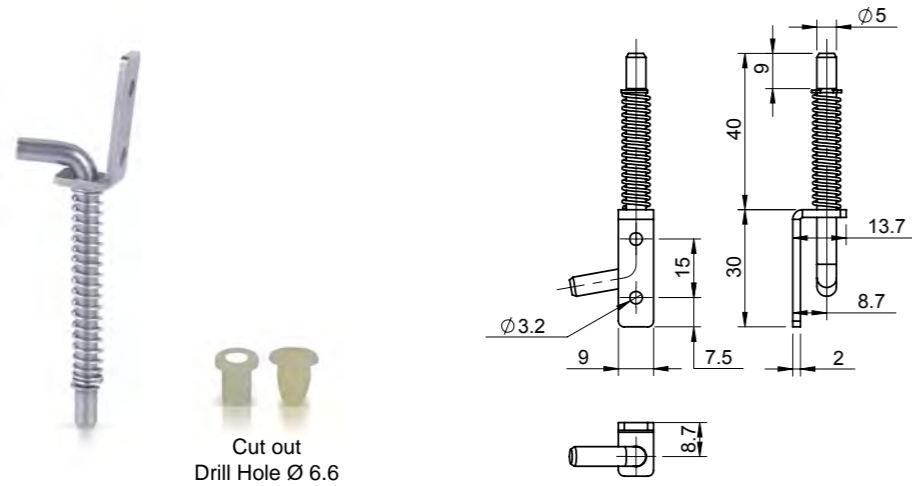
Hinges

Spring Hinge : Stainless Steel



Product Code	Hinge Material	Pin Material	Finish	Working Load (Kg)	
DSHI-3-SS	SS-304	SS-304	Electro Polishing	Ax.:	Ra.:
DSHI-3B-SS	SS-304	SS-304	Electro Polishing	Ax.:	Ra.:

Bush are sold only with Hinges. Also available in **SS-316** & **SS-316L** on minimum order request, MOQ

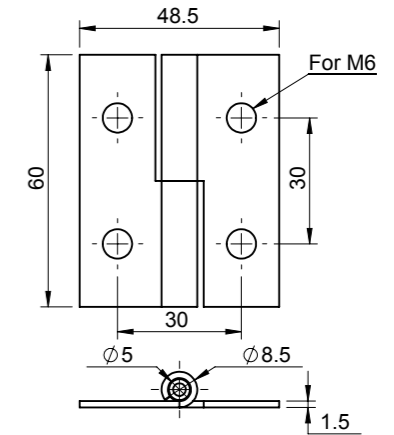


Product Code	Hinge Material	Pin Material	Finish	Working Load (Kg)	
DSHI-4-SS	SS-304	SS-304	Electro Polishing	Ax.:	Ra.:

Bush are sold only with Hinges. Also available in **SS-316** & **SS-316L** on minimum order request, MOQ

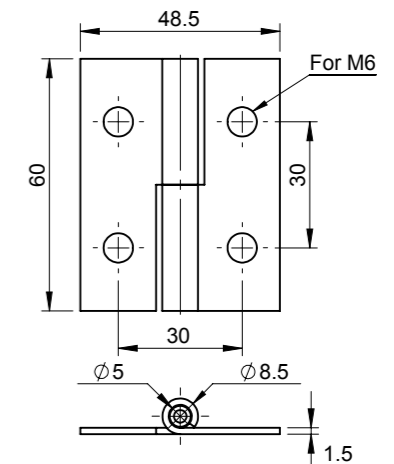
Hinges

Lift off Hinge : Stainless Steel



Product Code	Hinge Material	Pin Material	Finish	Opening Angle	Working Load (Kg)	
DHLOM-6048-L-SS	SS-304	SS-304	Electro Polishing	180°	Ax.: 57	Ra.: 31

Also available in **SS-316** & **SS-316L** on minimum order request, MOQ

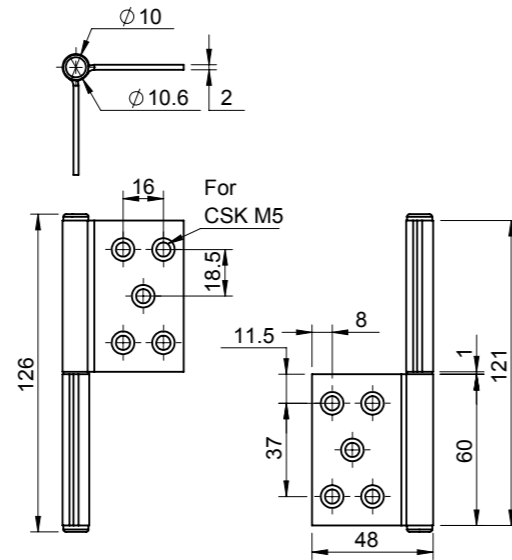


Product Code	Hinge Material	Pin Material	Finish	Opening Angle	Working Load (Kg)	
DHLOM-6048-R-SS	SS-304	SS-304	Electro Polishing	180°	Ax.: 57	Ra.: 31

Also available in **SS-316** & **SS-316L** on minimum order request, MOQ

Hinges

Lift off Hinge : Stainless Steel

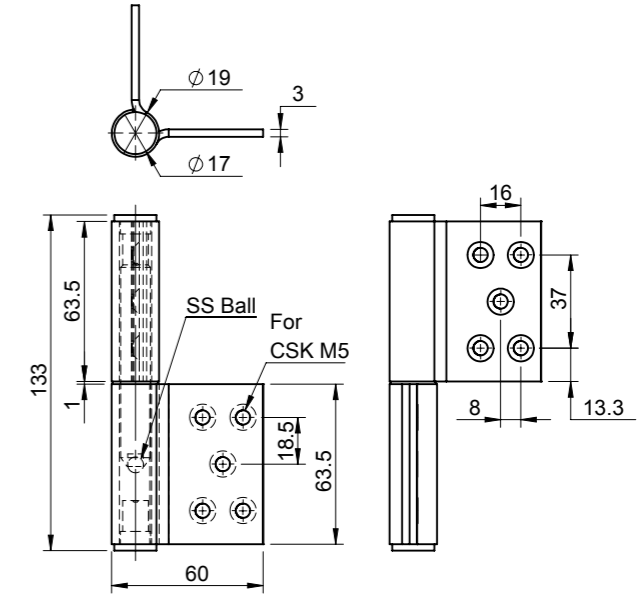


Product Code	Hinge Material	Pin Material	Finish	Opening Angle	Working Load (Kg)	
DHLOM-120-SS-L	SS-304	SS-304	Electro Polishing	180°	Ax.:	Ra.:

Also available in **SS-316** & **SS-316L** on minimum order request, MOQ

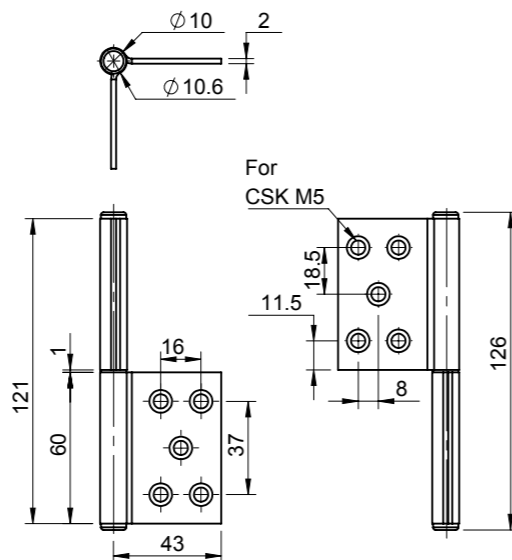
Hinges

Lift off Hinge : Stainless Steel



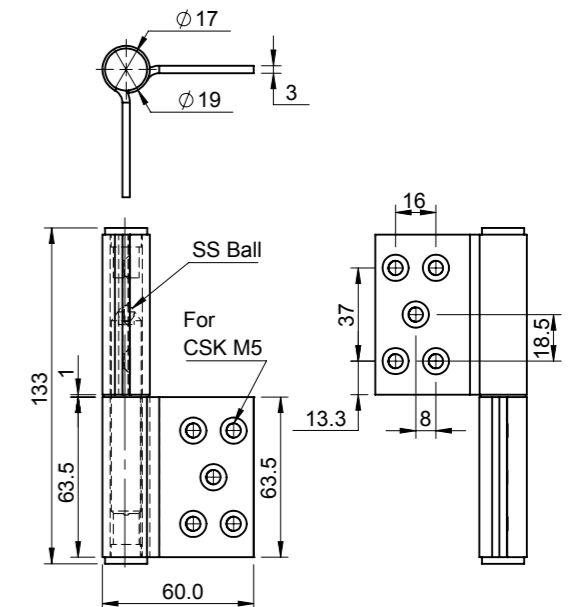
Product Code	Hinge Material	Pin Material	Finish	Opening Angle	Working Load (Kg)	
DHLOM-130-SS-L	SS-304	SS-304	Electro Polishing	180°	Ax.:	Ra.:

Also available in **SS-316** & **SS-316L** on minimum order request, MOQ



Product Code	Hinge Material	Pin Material	Finish	Opening Angle	Working Load (Kg)	
DHLOM-120-SS-R	SS-304	SS-304	Electro Polishing	180°	Ax.:	Ra.:

Also available in **SS-316** & **SS-316L** on minimum order request, MOQ

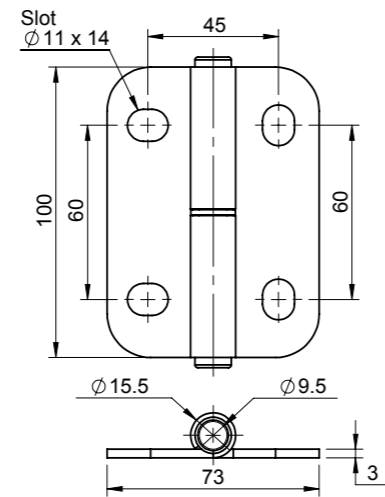


Product Code	Hinge Material	Pin Material	Finish	Opening Angle	Working Load (Kg)	
DHLOM-130-SS-R	SS-304	SS-304	Electro Polishing	180°	Ax.:	Ra.:

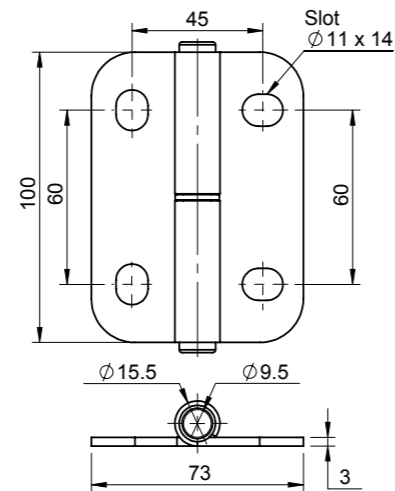
Also available in **SS-316** & **SS-316L** on minimum order request, MOQ

Hinges

Lift off Hinge : Stainless Steel



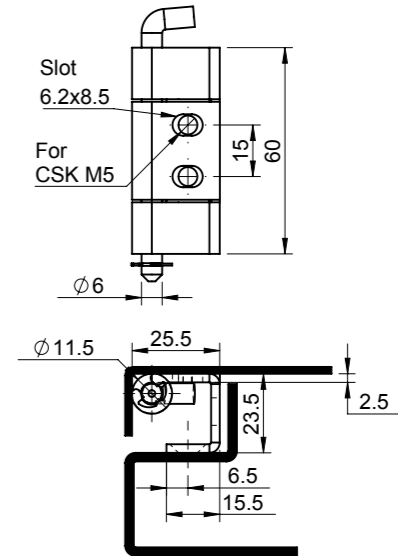
Product Code	Hinge Material	Pin Material	Finish	Opening Angle	Working Load (Kg)	
DHLOM-10073-SS-L	SS-304	SS-304	Electro Polishing	180°	Ax.:	Ra.:
Also available in SS-316 & SS-316L on minimum order request, MOQ						



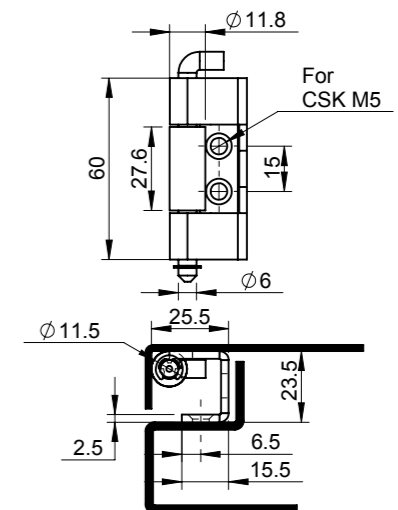
Product Code	Hinge Material	Pin Material	Finish	Opening Angle	Working Load (Kg)	
DHLOM-10073-SS-R	SS-304	SS-304	Electro Polishing	180°	Ax.:	Ra.:
Also available in SS-316 & SS-316L on minimum order request, MOQ						

Hinges

Concealed Hinge : Stainless Steel



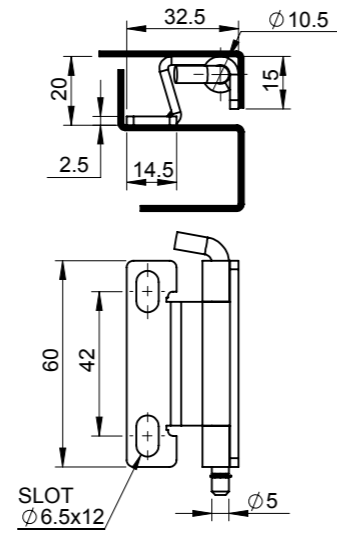
Product Code	Hinge Material	Pin Material	Finish	Opening Angle	IP Mount (Optional)	Working Load (Kg)	
DHIM-60-SS	SS-304	SS-304	Electro Polishing	120°	CD-15-M5	Ax.:	Ra.:
Also available in SS-316 & SS-316L on minimum order request, MOQ							



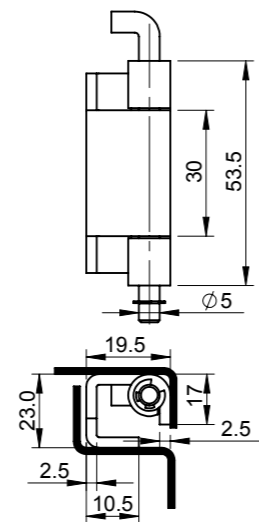
Product Code	Hinge Material	Pin Material	Finish	Opening Angle	IP Mount (Optional)	Working Load (Kg)	
DHIM-60-R-SS	SS-304	SS-304	Electro Polishing	120°	CD-15-M5	Ax.:	Ra.:
Also available in SS-316 & SS-316L on minimum order request, MOQ							

Hinges

Concealed Hinge : Stainless Steel



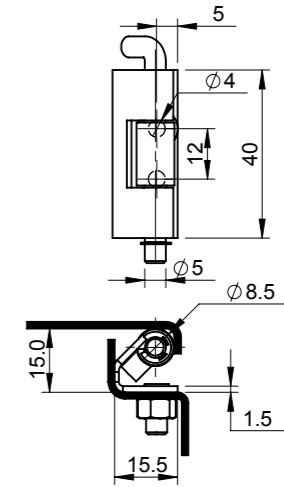
Product Code	Hinge Material	Pin Material	Finish	Opening Angle	Working Load (Kg)	
DHIM-6026-SS	SS-304	SS-304	Electro Polishing	120°	Ax.:	Ra.:
Also available in SS-316 & SS-316L on minimum order request, MOQ						



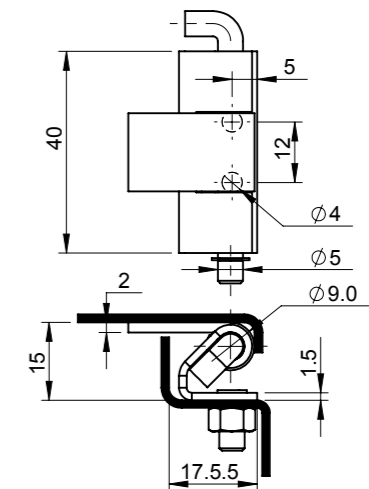
Product Code	Hinge Material	Pin Material	Finish	Opening Angle	Working Load (Kg)	
DHIM-5325-SS	SS-304	SS-304	Electro Polishing	90°	Ax.:	Ra.:
Also available in SS-316 & SS-316L on minimum order request, MOQ						

Hinges

Concealed Hinge : Stainless Steel



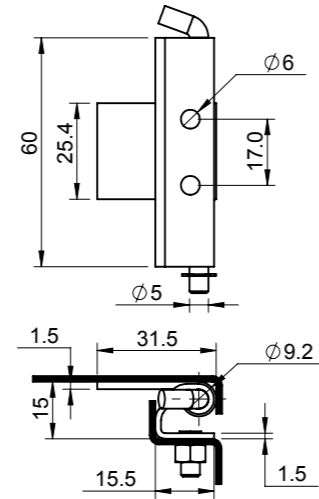
Product Code	Hinge Material	Pin Material	Finish	Opening Angle	Working Load (Kg)	
DHIM-4015-AR-SS	SS-304	SS-304	Electro Polishing	90°	Ax.:	Ra.:



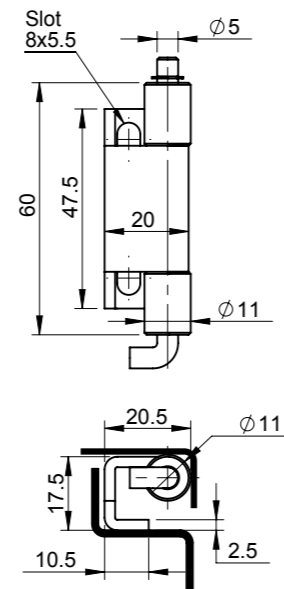
Product Code	Hinge Material	Pin Material	Finish	Opening Angle	Working Load (Kg)	
DHIM-4015-AW-SS	SS-304	SS-304	Electro Polishing	90°	Ax.:	Ra.:

Hinges

Concealed Hinge : Stainless Steel



Product Code	Hinge Material	Pin Material	Finish	Opening Angle	IP Mount (Optional)	Working Load (Kg)	
DHIM-6015-AW-SS	SS-304	SS-304	Electro Polishing	90°	CD-17-M6	Ax.:	Ra.:

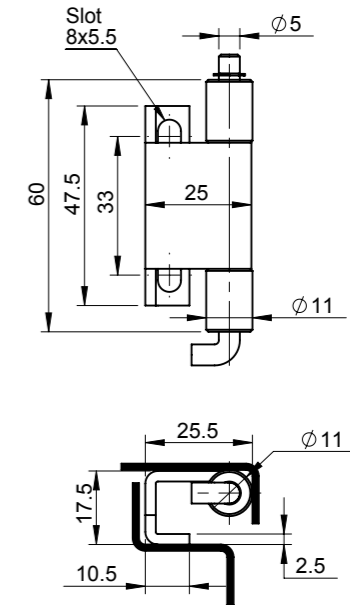


Product Code	Hinge Material	Pin Material	Finish	Opening Angle	Working Load (Kg)	
DHIM-6015-SS	SS-304	SS-304	Electro Polishing	120°	Ax.:	Ra.:

Also available in **SS-316** & **SS-316L** on minimum order request, MOQ

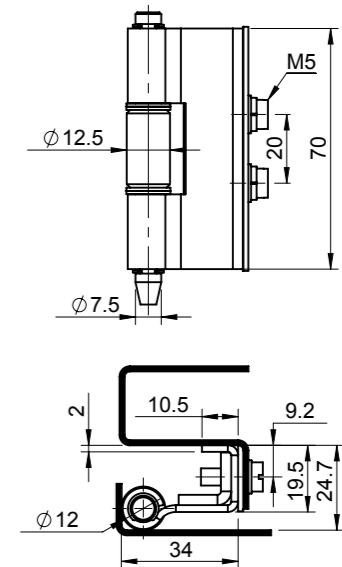
Hinges

Concealed Hinge : Stainless Steel



Product Code	Hinge Material	Pin Material	Finish	Opening Angle	Working Load (Kg)	
DHIM-6020-SS	SS-304	SS-304	Electro Polishing	90°	Ax.:	Ra.:

Also available in **SS-316** & **SS-316L** on minimum order request, MOQ

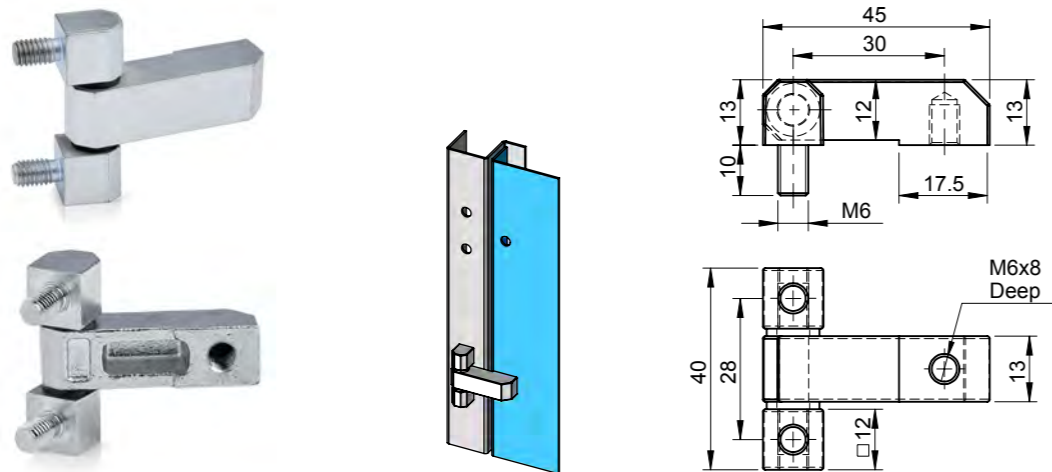


Product Code	Hinge Material	Pin Material	Finish	Opening Angle	Working Load (Kg)	
DHIM-7020-SS	SS-304	SS-304	Electro Polishing	110°	Ax.:	Ra.:

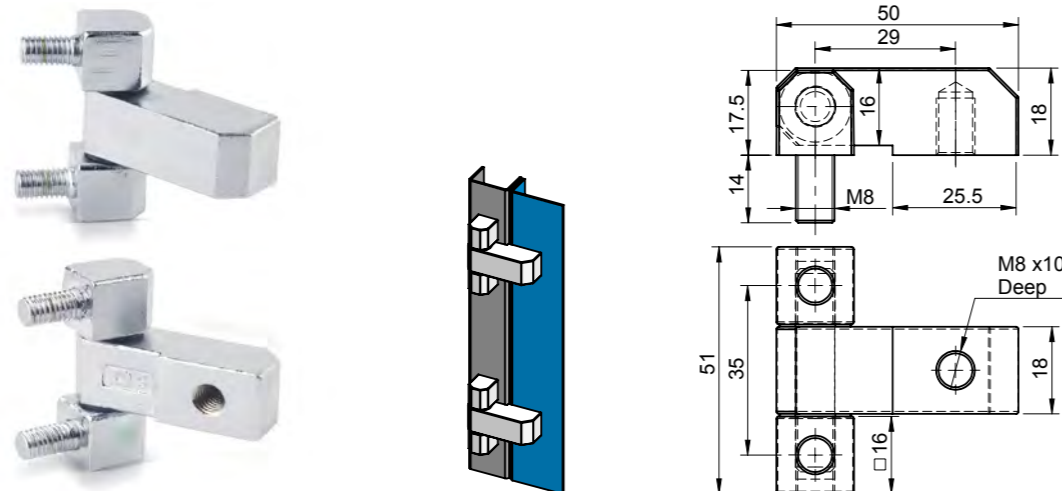
Also available in **SS-316** & **SS-316L** on minimum order request, MOQ

Hinges

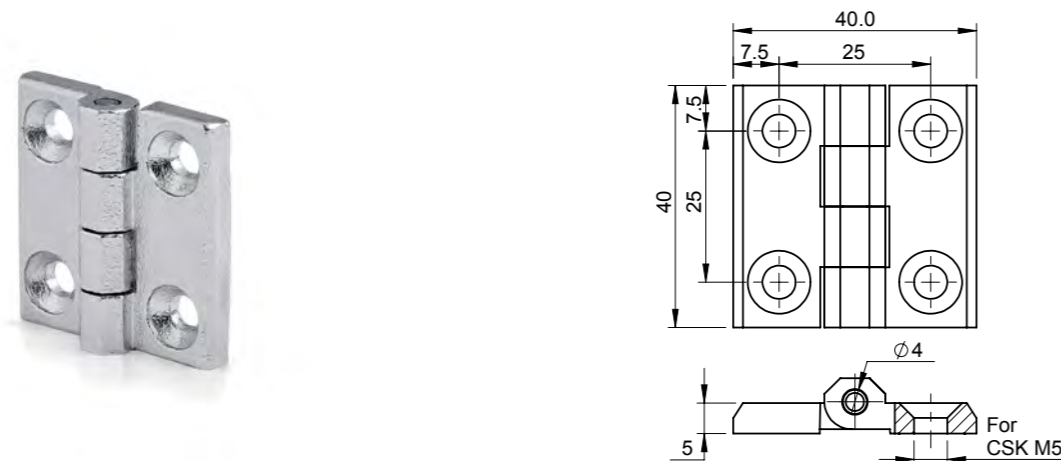
Flat Hinge : Casting Stainless Steel



Product Code	Hinge Material	Pin Material	Finish	Opening Angle	Working Load (Kg)	
DHIS-3040-M6	SS-304	SS-304	Electro Polishing	180°	Ax.:	Ra.:
Also available in SS-316 & SS-316L on minimum order request, MOQ						



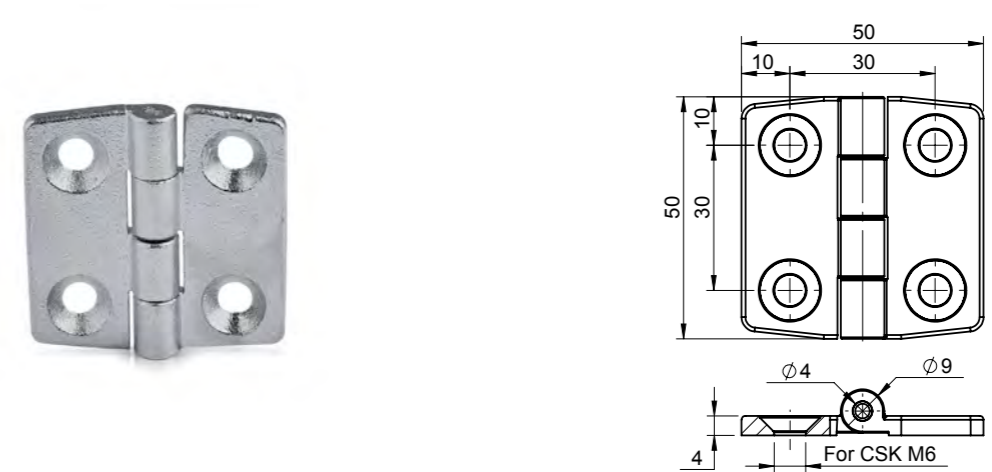
Product Code	Hinge Material	Pin Material	Finish	Opening Angle	Working Load (Kg)	
DHIS-2951-M8	SS-304	SS-304	Electro Polishing	180°	Ax.:	Ra.:
Also available in SS-316 & SS-316L on minimum order request, MOQ						



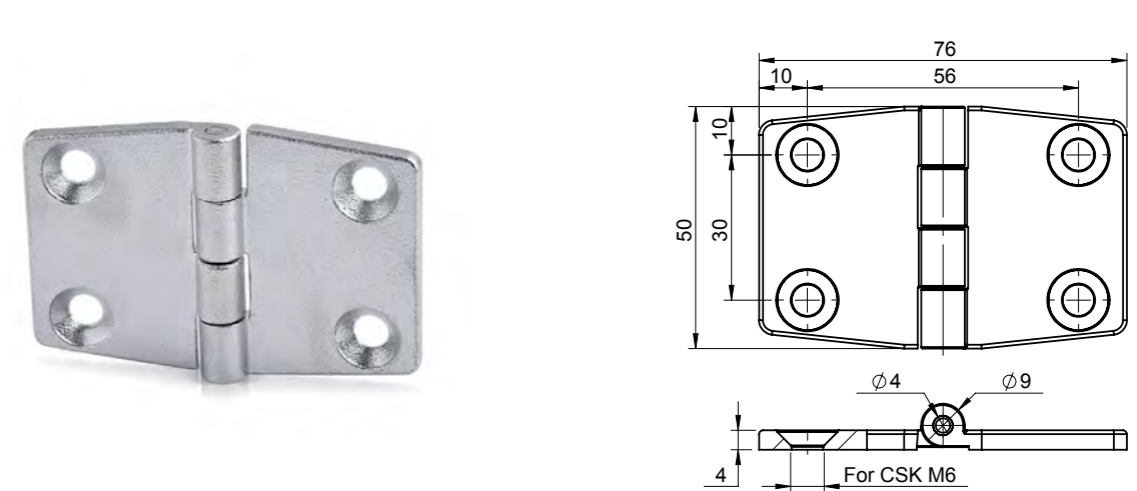
Product Code	Hinge Material	Pin Material	Finish	Opening Angle	IP Mount (Optional)	Working Load (Kg)	
DHFMS-40	SS-304	SS-304	Electro Polishing	180°	CD-25-M5	Ax.:	Ra.:
Also available in SS-316 & SS-316L on minimum order request, MOQ							

Hinges

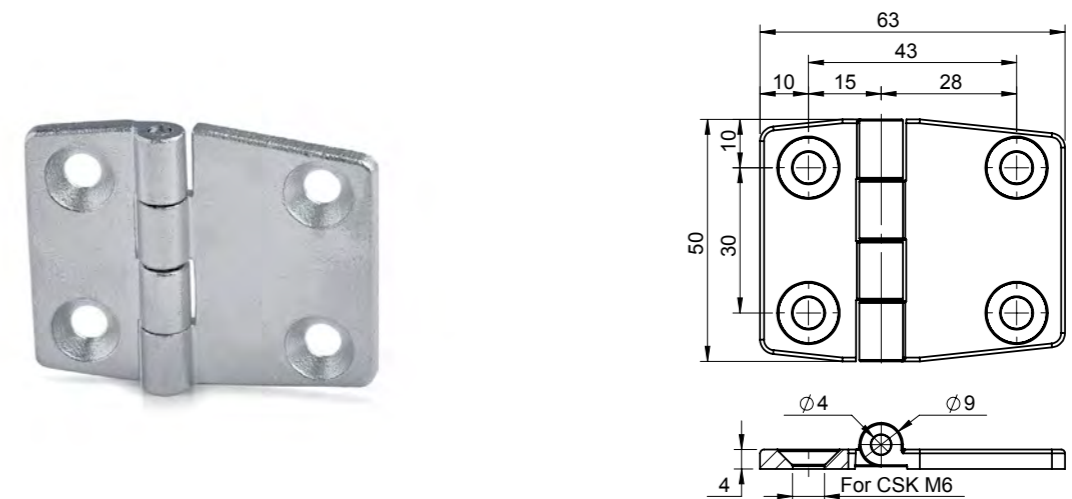
Flat Hinge : Casting Stainless Steel



Product Code	Hinge Material	Pin Material	Finish	Opening Angle	Working Load (Kg)	
DHIS-50	SS-316	SS-304	Electro Polishing	180°	Ax.: 122	Ra.: 200
Also available in SS-316L on minimum order request, MOQ						



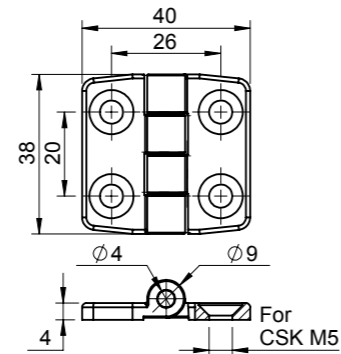
Product Code	Hinge Material	Pin Material	Finish	Opening Angle	Working Load (Kg)	
DHIS-5076	SS-316	SS-304	Electro Polishing	180°	Ax.: 148	Ra.: 221
Also available in SS-316L on minimum order request, MOQ						



Product Code	Hinge Material	Pin Material	Finish	Opening Angle	Working Load (Kg)	
DHIS-5063	SS-316	SS-304	Electro Polishing	180°	Ax.: 139	Ra.: 223
Also available in SS-316L on minimum order request, MOQ						

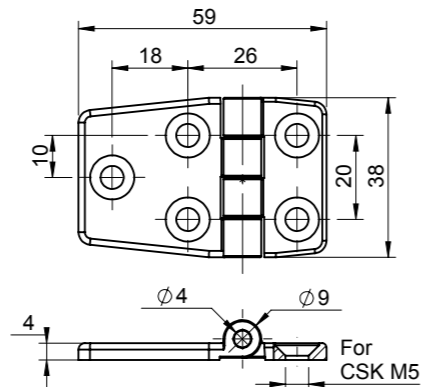
Hinges

Flat Hinge : Casting Stainless Steel



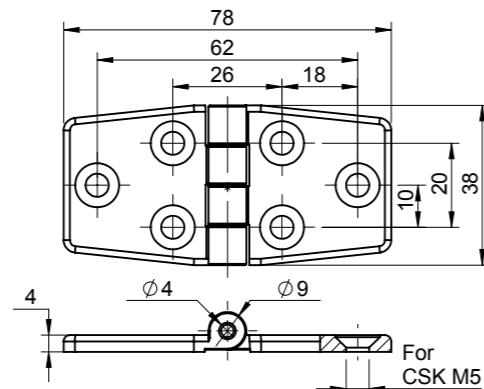
Product Code	Hinge Material	Pin Material	Finish	Opening Angle	Working Load (Kg)	
DHIS-3840	SS-316	SS-316	Electro Polishing	180°	Ax.: 109	Ra.: 161

Also available in **SS-316L** on minimum order request, MOQ



Product Code	Hinge Material	Pin Material	Finish	Opening Angle	Working Load (Kg)	
DHIS-3859	SS-316	SS-316	Electro Polishing	180°	Ax.: 101	Ra.: 176

Also available in **SS-316L** on minimum order request, MOQ

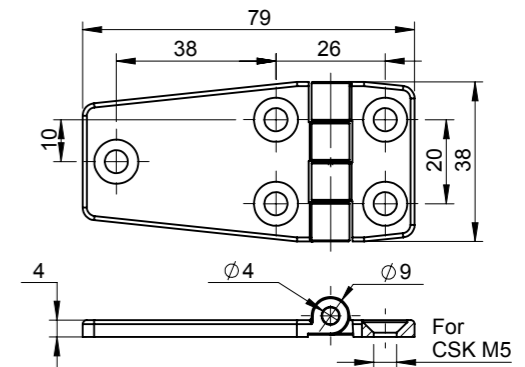


Product Code	Hinge Material	Pin Material	Finish	Opening Angle	Working Load (Kg)	
DHIS-3878	SS-316	SS-316	Electro Polishing	180°	Ax.: 118	Ra.: 184

Also available in **SS-316L** on minimum order request, MOQ

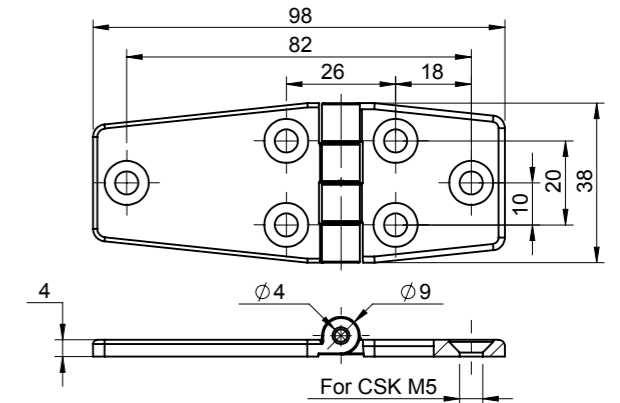
Hinges

Flat Hinge : Casting Stainless Steel



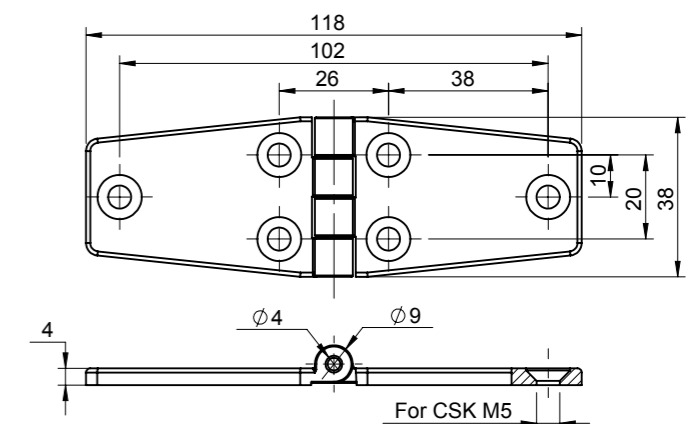
Product Code	Hinge Material	Pin Material	Finish	Opening Angle	Working Load (Kg)	
DHIS-3879	SS-316	SS-316	Electro Polishing	180°	Ax.: 120	Ra.: 140

Also available in **SS-316L** on minimum order request, MOQ



Product Code	Hinge Material	Pin Material	Finish	Opening Angle	Working Load (Kg)	
DHIS-3898	SS-316	SS-316	Electro Polishing	180°	Ax.: 114	Ra.: 218

Also available in **SS-316L** on minimum order request, MOQ

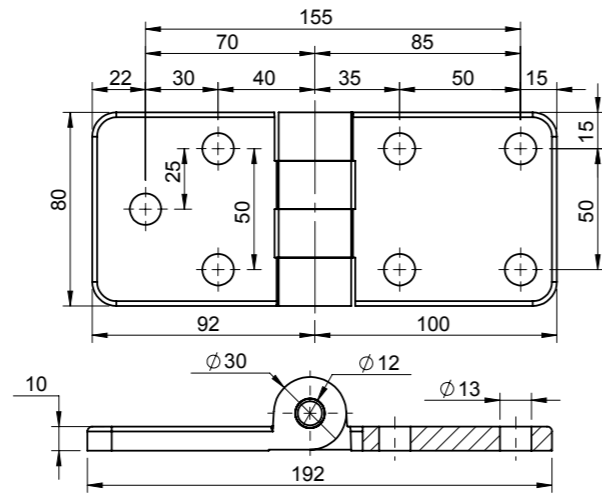


Product Code	Hinge Material	Pin Material	Finish	Opening Angle	Working Load (Kg)	
DHIS-38118	SS-316	SS-316	Electro Polishing	180°	Ax.: 134	Ra.: 167

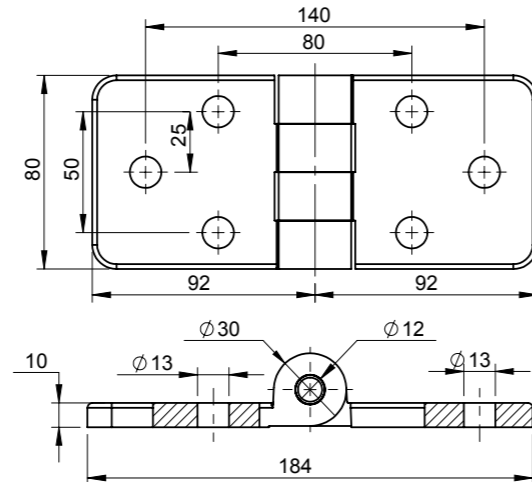
Also available in **SS-316L** on minimum order request, MOQ

Hinges

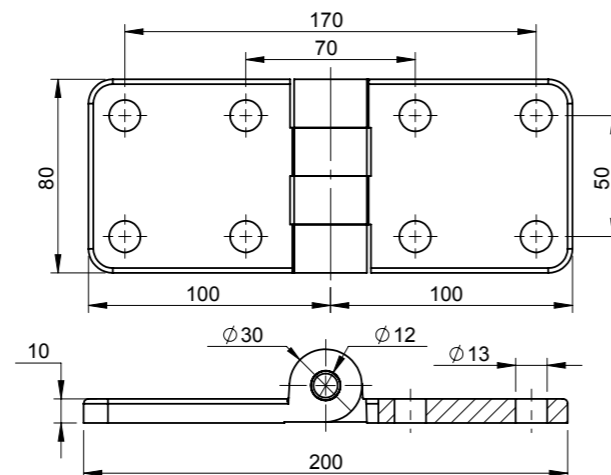
Flat Hinge : Casting Stainless Steel



Product Code	Hinge Material	Pin Material	Finish	Opening Angle	Working Load (Kg)	
DHIS-80192	SS-304	SS-304	Electro Polishing	180°	Ax.: 450	Ra.: 475
Also available in SS-316 & SS-316L on minimum order request, MOQ						



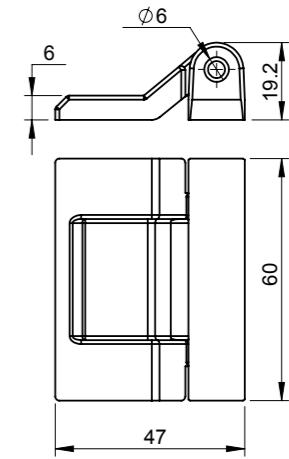
Product Code	Hinge Material	Pin Material	Finish	Opening Angle	Working Load (Kg)	
DHIS-80184	SS-304	SS-304	Electro Polishing	180°	Ax.: 450	Ra.: 475
Also available in SS-316 & SS-316L on minimum order request, MOQ						



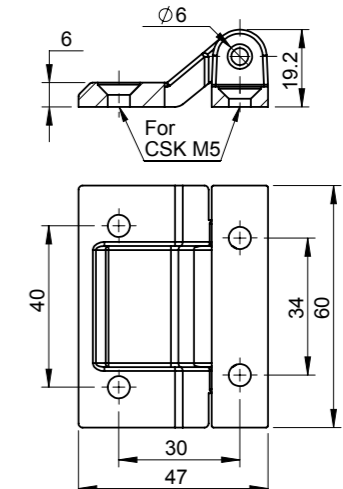
Product Code	Hinge Material	Pin Material	Finish	Opening Angle	Working Load (Kg)	
DHIS-80200	SS-304	SS-304	Electro Polishing	180°	Ax.: 450	Ra.: 475
Also available in SS-316 & SS-316L on minimum order request, MOQ						

Hinges

Flat Hinge : Casting Stainless Steel



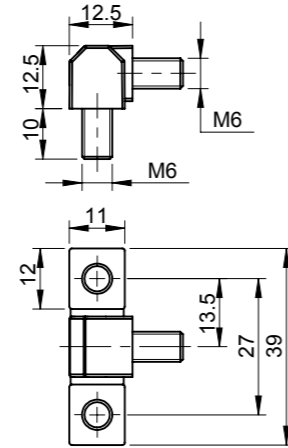
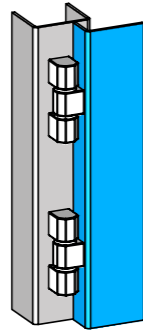
Product Code	Hinge Material	Pin Material	Finish	Opening Angle	Working Load (Kg)	
DHIS-4760-W-20	SS-304	SS-304	Electro Polishing	180°	Ax.: 450	Ra.: 475
Also available in SS-316 & SS-316L on minimum order request, MOQ						



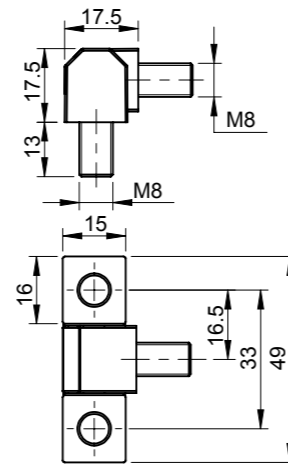
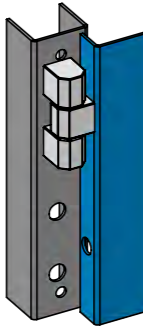
Product Code	Hinge Material	Pin Material	Finish	Opening Angle	Working Load (Kg)	
DHIS-4760-H-20	SS-304	SS-304	Electro Polishing	180°	Ax.: 450	Ra.: 475
Also available in SS-316 & SS-316L on minimum order request, MOQ						

Hinges

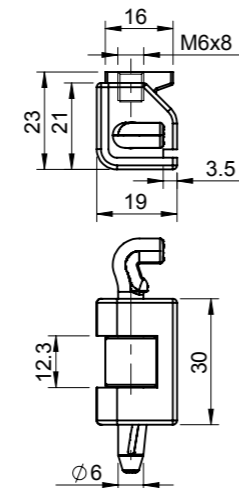
Exposed Hinge : Casting Stainless Steel



Product Code	Hinge Material	Pin Material	Finish	Opening Angle	Working Load (Kg)	
DHIS-11-6-3	SS-304	SS-304	Electro Polishing	180°	Ax.:	Ra.:
Also available in SS-316 & SS-316L on minimum order request, MOQ						



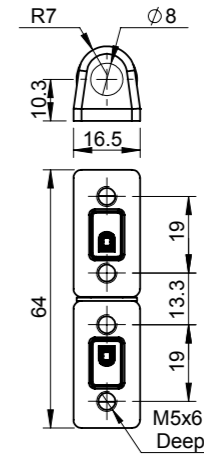
Product Code	Hinge Material	Pin Material	Finish	Opening Angle	Working Load (Kg)	
DHIS-15-8-3	SS-304	SS-304	Electro Polishing	180°	Ax.:	Ra.:
Also available in SS-316 & SS-316L on minimum order request, MOQ						



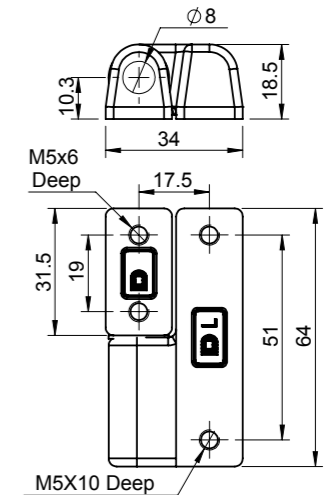
Product Code	Hinge Material	Pin Material	Sheet Thk.	Finish	Opening Angle	Working Load (Kg)	
DHIS-3020-P	SS-304	Derlin	1.5 to 1.9	Electro Polishing	180°	Ax.:	Ra.:
Also available in SS-316 & SS-316L on minimum order request, MOQ							

Hinges

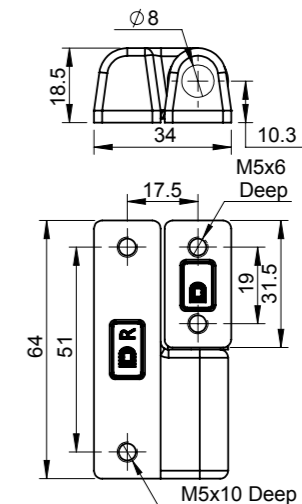
Lift off Hinge : Casting Stainless Steel



Product Code	Hinge Material	Pin Material	Finish	Opening Angle	Working Load (Kg)	
DHLOS-1564	SS-304	SS-304	Electro Polishing	180°	Ax.:	Ra.:
Also available in SS-316 & SS-316L on minimum order request, MOQ						



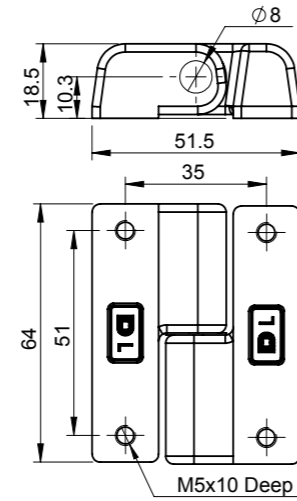
Product Code	Hinge Material	Pin Material	Finish	Opening Angle	Working Load (Kg)	
DHLOS-3264-L	SS-304	SS-304	Electro Polishing	180°	Ax.:	Ra.:
Also available in SS-316 & SS-316L on minimum order request, MOQ						



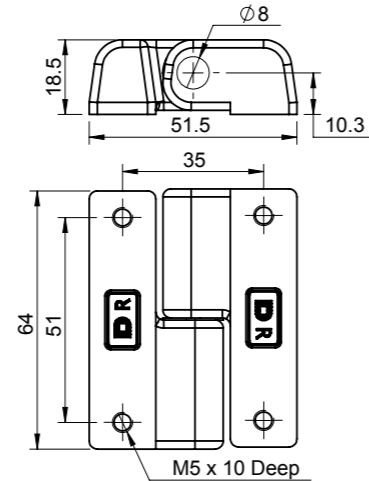
Product Code	Hinge Material	Pin Material	Finish	Opening Angle	Working Load (Kg)	
DHLOS-3264-R	SS-304	SS-304	Electro Polishing	180°	Ax.:	Ra.:
Also available in SS-316 & SS-316L on minimum order request, MOQ						

Hinges

Lift off Hinge : Casting Stainless Steel



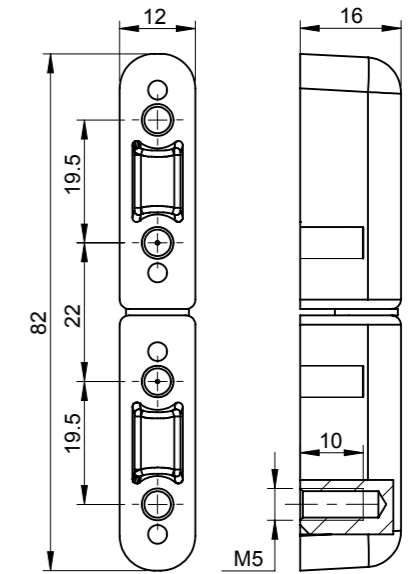
Product Code	Hinge Material	Pin Material	Finish	Opening Angle	Working Load (Kg)	
DHLOS-5064-L	SS-304	SS-304	Electro Polishing	180°	Ax.:	Ra.:
Also available in SS-316 & SS-316L on minimum order request, MOQ						



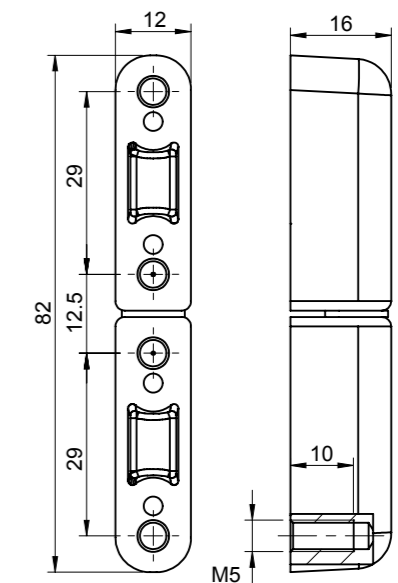
Product Code	Hinge Material	Pin Material	Finish	Opening Angle	Working Load (Kg)	
DHLOS-5064-R	SS-304	SS-304	Electro Polishing	180°	Ax.:	Ra.:
Also available in SS-316 & SS-316L on minimum order request, MOQ						

Hinges

Lift off Hinge : Casting Stainless Steel



Product Code	Hinge Material	Pin Material	Finish	Opening Angle	Working Load (Kg)	
DHLOS-8219	SS-304	SS-304	Electro Polishing	180°	Ax.: 68	Ra.:
Also available in SS-316 & SS-316L on minimum order request, MOQ						



Product Code	Hinge Material	Pin Material	Finish	Opening Angle	Working Load (Kg)	
DHLOS-8229	SS-304	SS-304	Electro Polishing	180°	Ax.: 68	Ra.:
Also available in SS-316 & SS-316L on minimum order request, MOQ						